

Playhut with Side, Gable & Desks

NRO415

KOMPAN
Let's play



Item no. NRO415-1021

General Product Information

Dimensions LxWxH	180x163x158 cm
Age group	6m - 5
Play capacity (users)	12
Colour options	



Wow! This attractive playhut inspires children to play together in both creative and imaginative ways. The open-ended design encourages themed and imaginative play within and around the playhut. Children will want to play longer due to the simple yet intentional design and the detail in its play features. The roof provides a sheltered space

allowing the children to move in and out of the playhut while using their imagination. The small window will support play on all sides of the playhut and encourage hide and seek games. Playing social games helps a child with their developmental. The bench adds a space to take a break and the desks provide more space for being creative. The open window

allows for exchanges from in and outside. All of these activities support a healthy development through play.

Playhut with Side, Gable & Desks

NRO415



Window

Social-Emotional: invites interaction between sides and cooperative play.



Desk

Social-Emotional: great meeting place and space creator for storing or sitting.



Theme

Cognitive: suggests a theme and supports dramatic play, which stimulates language and communication skills.



Bench

Social-Emotional: invites socializing and cooperation. Allows for a break with friends.

Playhut with Side, Gable & Desks

NRO415



All Organic Robinia products by KOMPAN are made of Robinia wood from sustainable European sources. On request it can be supplied as FSC® Certified (FSC® C004450).



The product/activities are preassembled from the factory to ensure all safety requirements are considered.



The paint used for coloured components is water based environmentally friendly with excellent UV resistance. The paint is in compliance with EN 71 Part 3.

Item no. NRO415-1021	
Installation Information	
Max. fall height	0 cm
Safety surfacing area	0.0 m ²
Total installation time	6.9
Excavation volume	0.63 m ³
Concrete volume	0.00 m ³
Footing depth (standard)	100 cm
Shipment weight	341 kg
Anchoring options	In-ground ✓
Warranty Information	
EcoCore HDPE	Lifetime
Hot dip galvanised steel	Lifetime
Robinia wood	15 years
Spare parts guaranteed	10 years
Stainless steel components	Lifetime



The playhouses are available with floor inside the house and with a floor outside to create a porch.



There are Multiple footing options for all products: Surface anchoring with steel footings and expansion bolts. Wood in-ground or steel in-ground footings.



Robinia products are available in three different wood treatment options: Untreated Robinia wood or brown painted with a pigment that maintains the wood colour and coloured version with paint of selected components.

Elevated activities 0	Accessible elevated activities	Accessible ground level activities	Accessible ground level play types
Present	0	1	1
Required	0	1	1

**CSA
Z614**
compliant

Sustainability Data

NRO415



Cradle to Gate A1-A3	Total CO ₂ emission	CO ₂ e/kg	Recycled materials
	kg CO ₂ e	kg CO ₂ e/kg	%
NRO415-1021	45.60	0.16	1.28

The overall framework applied for these factors is the Environmental Product Declaration (EPD), which quantifies "environmental information on the life cycle of a product and enable comparisons between products fulfilling the same function" (ISO, 2006). This follows the structure and applies a Life-Cycle Assessment approach to the entire Product stage from raw material through manufacturing (A1-A3))

Kompan A/S
 C.F. Tietgens Boulevard 32C
 DK-5220 Odense SØ
 Denmark



Verification of CO₂ calculation of: Nature play



Data version no. 2023-10-05

The CO₂ calculation and data are in compliance with the principles of a carbon footprint impact according to the GHG protocol (Greenhouse Gas Protocol), Scope 3, cradle to gate related to all individual components in the product category: "Nature play" represented by item no.: NRO409-0621.

(Scope 3 emissions include emission sources in the upstream and downstream value chain).

Date: 30. October 2023 | Valid until: 30. October 2025

Verified by:

Julie Marie Vejsgaard Larsen, LCA & EPD Consultant

Verification based on report: Validation of CO₂ calculation of 9 categories of Kompan product line, version 1.0, prepared by: Bureau Veritas HSE, Denmark: Julie M. V. Larsen.

Publication date: 30. October 2023

By Bureau Veritas HSE
 www.bureauveritas.dk
 +45 7731 1000

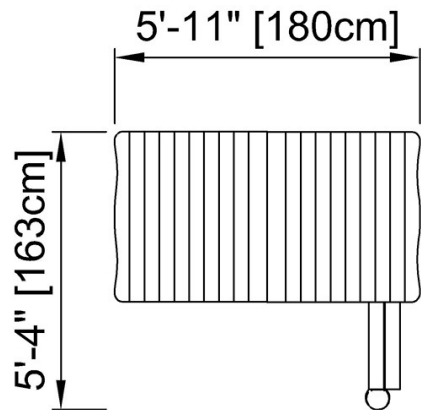


Playhut with Side, Gable & Desks

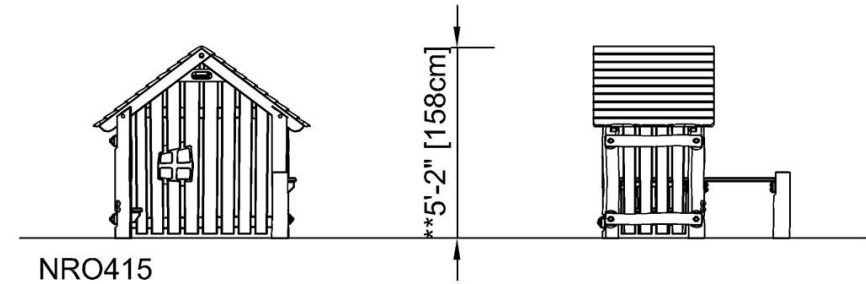
NRO415

* Max fall height | ** Total height | *** Safety surfacing area

* Max fall height | ** Total height



NRO415
** 5'-2" / 158cm



[Click to see TOP VIEW](#)

[Click to see SIDE VIEW](#)