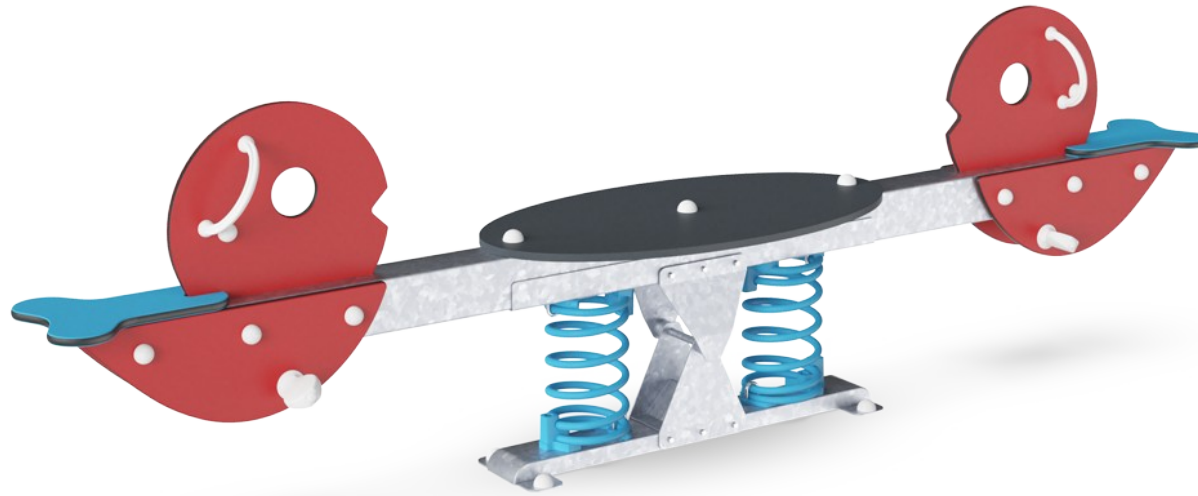


# Albatross

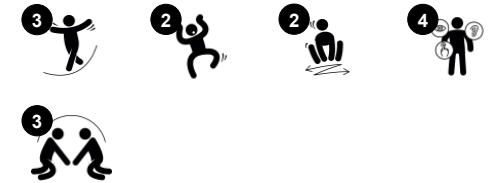
M143



Item no. M14374-01P

## General Product Information

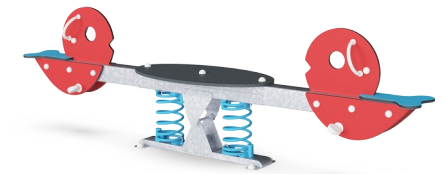
|                       |              |
|-----------------------|--------------|
| Dimensions LxWxH      | 55x310x92 cm |
| Age group             | 3+           |
| Play capacity (users) | 4            |
| Colour options        |              |



The classic Albatross seesaw motivates children to join in with play, rocking together. The whimsical design, a KOMPAN classic, attracts children's attention, and the sturdy hand and foot supports allow for mild or wild rocking. The spring base makes it possible for different ages, even adults and children, to rock together. Risk seekers can stand on the middle

platform, sensing the movement created by the others. The platform also allows for socialising, lying, or sitting. There is room for a care giver, too, so it becomes a fully inclusive piece. The seats at the end are big enough for older children as well as adults, and the fun thrill of rocking, individually, or in pairs or groups, will make children play for longer. Rocking on the

Albatross trains the children's muscles and motor skills, e.g. balance and coordination. The Albatross supports the development of social-emotional skills including cooperation, consideration, and turn-taking.



Data is subject to change without prior notice.

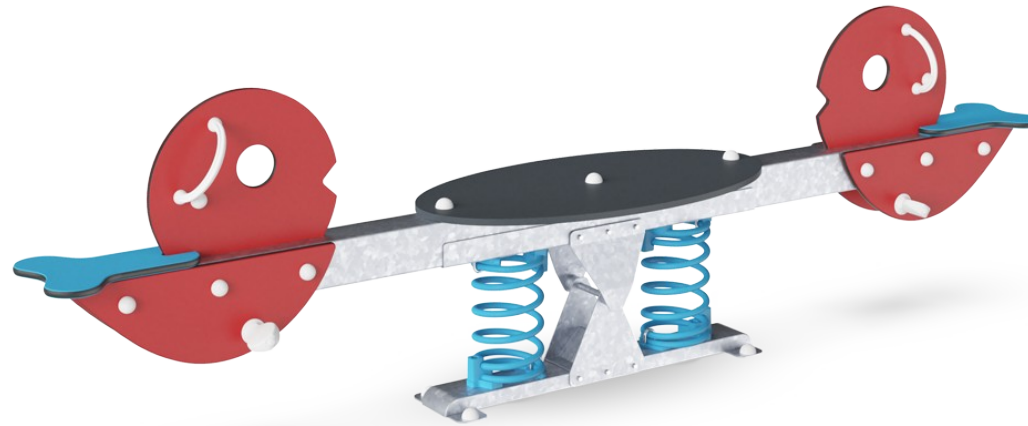
# Albatross

M143



## Handhold

**Physical:** opens more hold positions and ensures good grip, necessary for rocking intensely which trains hand and arm muscles.



## Center platform

**Physical:** supports agility, balance and coordination when standing, using leg and core muscles, building bone density when jumping. **Social-Emotional:** teamwork and socialising when rocking together.



## Rocking together

**Social-Emotional:** the possibility of rocking two together trains cooperation skills and consideration of others.



## Rocking spring

**Physical:** response to movements adds to spatial awareness and sense of balance which are fundamental motor skills.  
**Cognitive:** trains the understanding of cause and effect: when I move my body, the spring responds with movement.



## Foot support

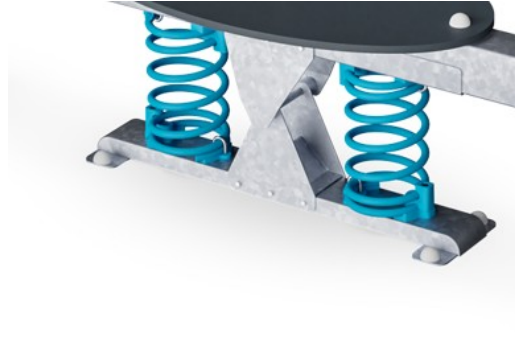
**Physical:** the footrest supports intensive rocking, simulating the senses of balance and space and supports coordination and muscle strength.

# Albatross

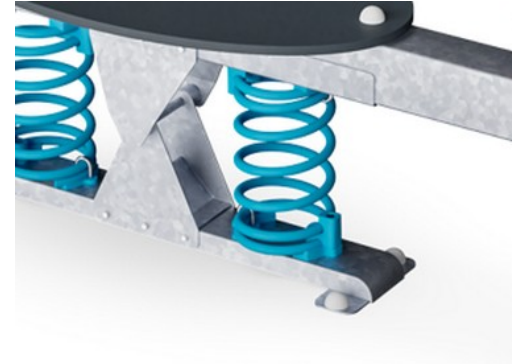
M143



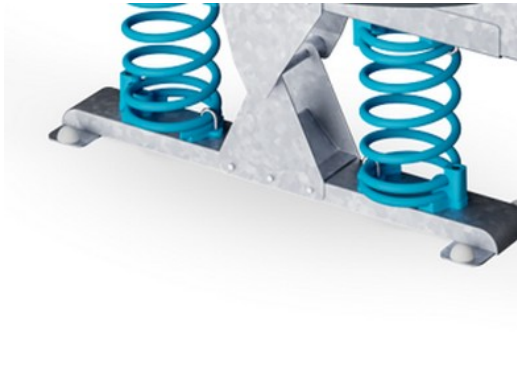
Panels of 19mm EcoCore™. EcoCore™ is a highly durable, eco-friendly material, which is not only recyclable after use but also consists of a core produced from 100% recycled material.



KOMPAN's springs are manufactured from high-quality spring steel. The springs are cleaned by phosphating before being painted with epoxy primer and polyester powder coating. The springs are fixed by unique anti-pinch fittings for maximum safety and longevity.



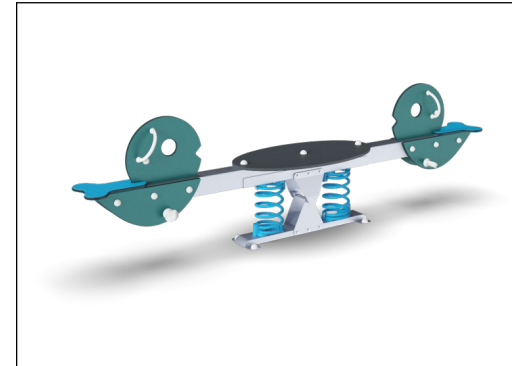
The springs are fixed by unique anti-pinch fittings for maximum safety and longevity.



The steel support posts are hot-dip galvanised inside and outside with lead free zinc. The galvanisation has excellent corrosion resistance in outside environments and requires low maintenance.



Platform and seats are made of HPL with a thickness of 17,8mm with a very high wearing strength and a unique KOMPAN non-skid surface texture.



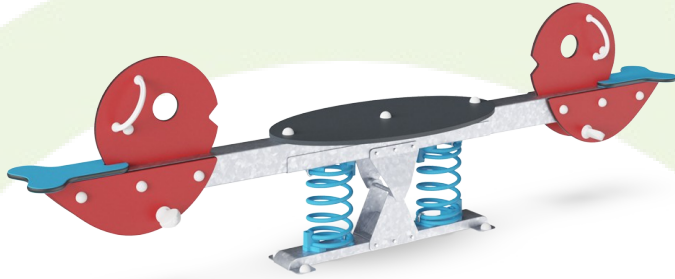
KOMPAN GreenLine versions are designed with ultimate environmentally friendly materials with the lowest possible CO2e emission factor such as EcoCore™ panels of 100% post consumer recycled ocean waste.

| Item no. M14374-01P      |                          |
|--------------------------|--------------------------|
| Installation Information |                          |
| Max. fall height         | 100 cm                   |
| Safety surfacing area    | 13.7 m <sup>2</sup>      |
| Total installation time  | 4.4                      |
| Excavation volume        | 0.42 m <sup>3</sup>      |
| Concrete volume          | 0.00 m <sup>3</sup>      |
| Footing depth (standard) | 42 cm                    |
| Shipment weight          | 132 kg                   |
| Anchoring options        | In-ground ✓<br>Surface ✓ |
| Warranty Information     |                          |
| EcoCore HDPE             | Lifetime                 |
| Galvanised Steel         | Lifetime                 |
| HPL Platform             | 15 years                 |
| Spare Parts Guarantee    | 10 years                 |
| Springs                  | 5 years                  |



# Sustainability Data

M143



| Cradle to Gate A1-A3 | Total CO <sub>2</sub> emission | CO <sub>2</sub> e/kg    | Recycled materials |
|----------------------|--------------------------------|-------------------------|--------------------|
|                      | kg CO <sub>2</sub> e           | kg CO <sub>2</sub> e/kg | %                  |
| <b>M14374-01P</b>    | 271.60                         | 2.14                    | 47.06              |

The overall framework applied for these factors is the Environmental Product Declaration (EPD), which quantifies "environmental information on the life cycle of a product and enable comparisons between products fulfilling the same function" (ISO, 2006). This follows the structure and applies a Life-Cycle Assessment approach to the entire Product stage from raw material through manufacturing (A1-A3))

**Kompan A/S**  
C.F. Tietgens Boulevard 32C  
DK-5220 Odense SØ  
Denmark



## Verification of CO<sub>2</sub> calculation of: Freestanding play equipment



Data version no. 2023-10-05

The CO<sub>2</sub> calculation and data are in compliance with the principles of a carbon footprint impact according to the GHG protocol (Greenhouse Gas Protocol), Scope 3, cradle to gate related to all individual components in the product category: "Freestanding play equipment" represented by item no.: GXY916012-3417.

(Scope 3 emissions include emission sources in the upstream and downstream value chain).

**Date: 30. October 2023 | Valid until: 30. October 2025**

**Verified by:**

Julie Marie Vejsgaard Larsen, LCA & EPD Consultant

Verification based on report: Validation of CO<sub>2</sub> calculation of 9 categories of Kompan product line, version 1.0, prepared by: Bureau Veritas HSE, Denmark: Julie M. V. Larsen.

**Publication date: 30. October 2023**

**By Bureau Veritas HSE**  
www.bureauveritas.dk  
+45 7731 1000

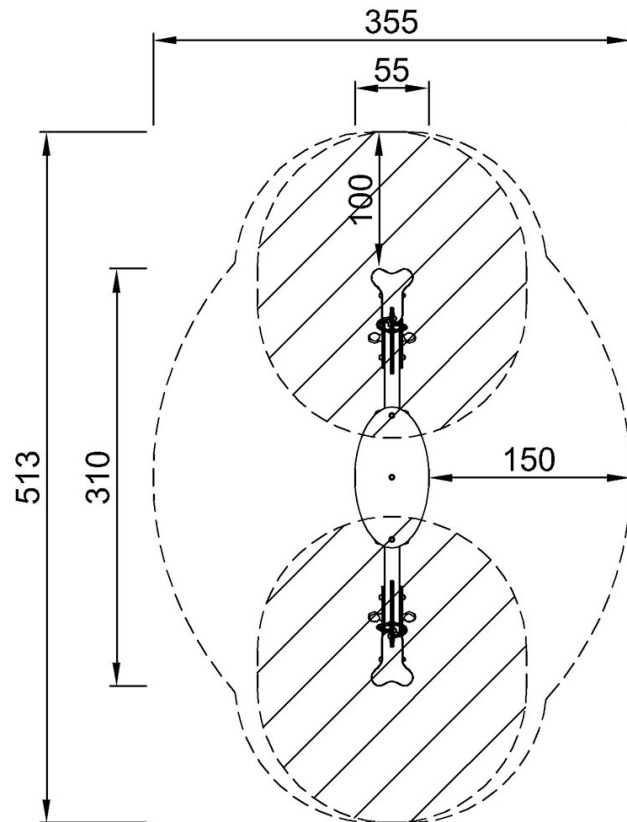


# Albatross

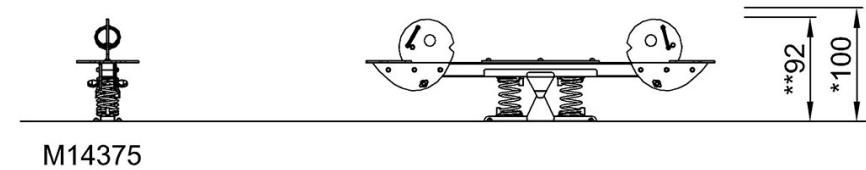
M143

\* Max fall height | \*\* Total height | \*\*\* Safety surfacing area

\* Max fall height | \*\* Total height



M14375  
\*100cm  
\*\*92cm  
\*\*\*13.7m<sup>2</sup>



[Click to see TOP VIEW](#)

[Click to see SIDE VIEW](#)