

# Track Ride Tower

PCM110321



The Track Ride Tower is a great play item that responds to the children's movement and urge for a thrill. This is the recipe for play success and will make children return for play again and again. The track ride glides down from the tower. Trained users will be able to flip their legs up to the top beam at the end and pushing themselves all the way back to the platform.

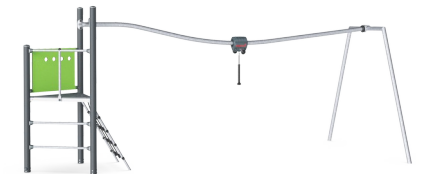
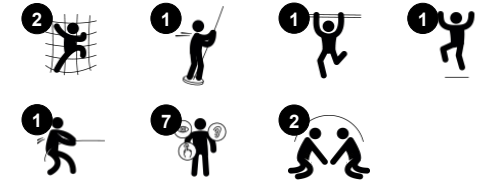
This trains muscles, proprioception and timing, all important abilities in sports and life. To other users, jumping off at the end or half back will train bone density. The handhold allow them to hand over the glider. The children train their arm, leg and core muscles. They greatly train their social-emotional skills, training turn-taking and empathy when helping others to succeed.

Thrilling, fun play that trains the school age child's social and physical life skills.

产品编号 PCM110321-0902

## 产品信息概览

长宽高尺寸	617x301x260 cm
适用年龄段	6+
容纳人数	4
颜色选择	



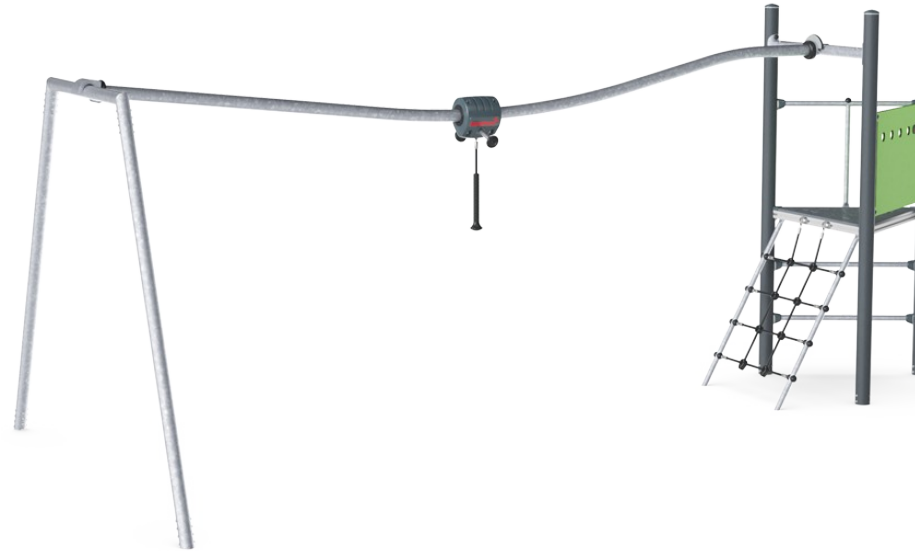
# Track Ride Tower

PCM110321



## Track Ride

**身体素质：**锻炼手臂和核心肌肉。从秋千跳下时可以增加骨密度，并可以提高敏捷性、平衡性和协调性等运动技能。**社交情感：**培养合作能力、同理心、轮流意识、冒险精神、自信心。



## 攀爬网

**身体素质：**培养体力和身体交叉协调能力，促进左右脑协调，这对其他技能（如阅读能力）至关重要。



## Pipe ladder

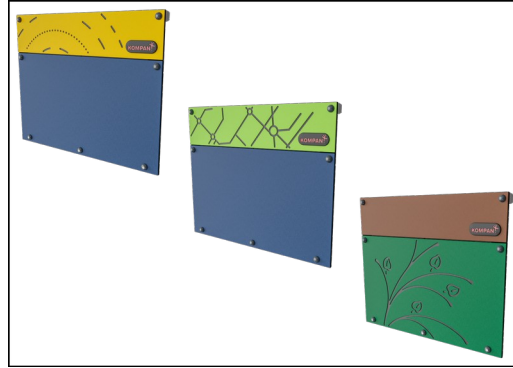
**身体素质：**孩子们在爬梯的过程中，交叉协调能力和眼手协调能力都得到了锻炼。攀爬还能锻炼腿部和手臂肌肉。**社交情感：**培养轮流意识和合作意识。

# Track Ride Tower

PCM110321



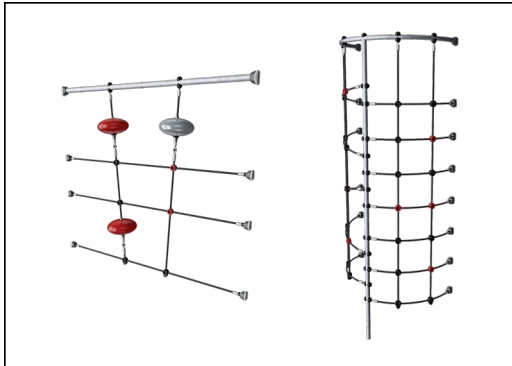
所有平台底板均由独特设计的低碳铝型材支撑，并具有多种加配选择。灰色模制平台底板由 75% 消费后的海洋可循环 PP 材料制成，具有防滑图案和表面纹理。



19 毫米 EcoCore™ 面板。EcoCore™ 是一种高度耐用、环保的材料，不仅在使用后可回收利用，而且还包含由 100 % 食品包装可循环材料制成的芯。



Main posts with hot dip galvanized steel footing are available in different materials: Pressure impregnated pine wood posts. Pre-galvanized inside and outside with powder coated top finish steel posts. Lead free aluminum with color anodized top finish. Greenline TexMade posts of 95% post-consumer recycled PE and textile waste.



绳索由防紫外线的 PES 绳股制成，并带有内部钢缆增强件。聚酯包裹的绳股经过感应处理，融化到每根单独的丝束上，以获得优异的耐磨性和抗撕裂性。



悬挂式拨轮器的设计采用焊接钢芯，并覆盖有低密度 PE 外壳。两个热浸镀锌钢手柄成一定角度，以在滑行时提供最佳的人体工程学。拨轮器的轮子由低噪音的 TPU 制成，并装有密封的球轴承。

产品编号 PCM110321-0902

## 安装信息

最大跌落高度	118 cm
安全面积	34.1 m <sup>2</sup>
安装总时长	8.8
开挖量	0.35 m <sup>3</sup>
混凝土使用量	0.00 m <sup>3</sup>
标准入地深度	90 cm
运输重量	303 kg
固定选项	入地 ✓ 地表 ✓

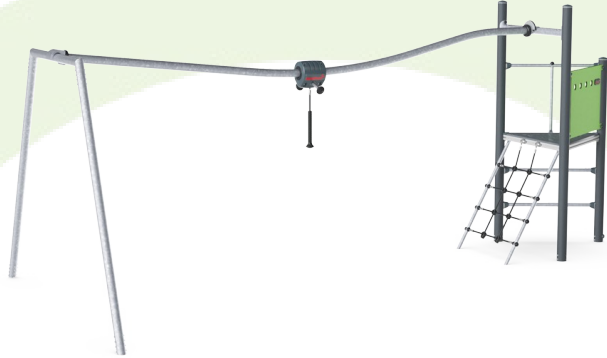
## 质保信息

EcoCore HDPE	终身质保
镀锌钢结构	终身质保
PP 板	10 年
绳网	10 年
承保零部件	10 年



# Sustainability Data

PCM110321



## 从原材料到成品

CO<sub>2</sub> 排放总量

kg CO<sub>2</sub>e

CO<sub>2</sub> 排放量 / 千克

kg CO<sub>2</sub>e/kg

回收的原料

%

PCM110321-0902

627.74

2.80

50.44

这些因素采用的总体框架为环保产品声明 (EPD), 该声明可量化“产品生命周期的环保信息, 并对相同功能的产品进行对比” (ISO, 2006)。在遵循该框架的同时, 对从原材料到制造的整个产品阶段 (A1-A3) 应用生命周期评估法。

### Kompan A/S

C.F. Tietgens Boulevard 32C  
DK-5220 Odense SØ  
Denmark



### Verification of CO<sub>2</sub> calculation of: Play systems



Data version no. 2023-10-05

The CO<sub>2</sub> calculation and data are in compliance with the principles of a carbon footprint impact according to the GHG protocol (Greenhouse Gas Protocol), Scope 3, cradle to gate related to all individual components in the product category: "Play systems" represented by item no.: PCM200321-0950.

(Scope 3 emissions include emission sources in the upstream and downstream value chain).

**Date: 30. October 2023 | Valid until: 30. October 2025**

Verified by:

Julie Marie Vejsgaard Larsen, LCA & EPD Consultant

Verification based on report: Validation of CO<sub>2</sub> calculation of 9 categories of Kompan product line, version 1.0, prepared by: Bureau Veritas HSE, Denmark: Julie M. V. Larsen.

**Publication date: 30. October 2023**

By Bureau Veritas HSE  
www.bureauveritas.dk  
+45 7731 1000

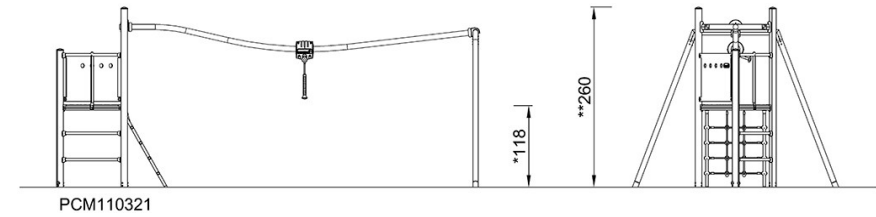
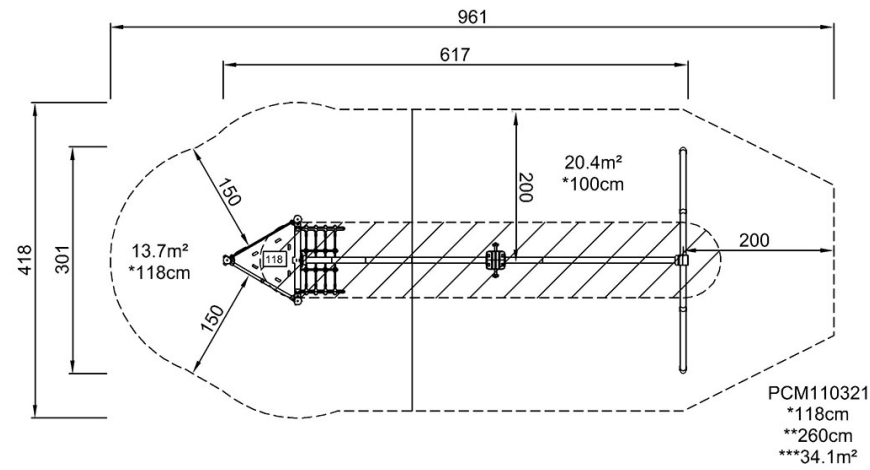


# Track Ride Tower

PCM110321

最大跌落高度 | 总高度 | 安全区域

最大跌落高度 | 总高度



[点击查看俯视图](#)

[点击查看侧面图](#)