

# Slide

M351

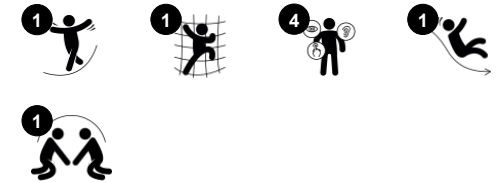


Sliding is a favourite playground activity that encourages children into being active and playful in a fun way. This sturdy slide will delight children and help them to be brave and enthusiastic on the playground, for hours of active, healthy play. When children slide, they train their core muscles, sitting upright while sliding down. This stimulates the trunk stability

and their sense of balance. This Sliding additionally trains the child's sense of balance which makes it possible e.g. to sit still on a chair, and to avoid falls. Sliding also helps with spatial understanding. These motor skills are important in navigating the world securely. They are fundamental to all motor skills and thus a fundamental element in the physical

confidence of the child. The steps of the stair are wide and the handgrips are placed to adding security to the climb up.

Item no. M35172-3418P	
<b>General Product Information</b>	
Dimensions LxWxH	50x325x210 cm
Age group	2+
Play capacity (users)	3
Colour options	



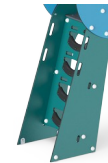
# Slide

M351



## Slide

**Physical:** develops spatial awareness, sense of balance and trains core muscles when sitting upright going down. **Social-Emotional:** empathy stimulated by turn-taking. **Cognitive:** young children develop their understanding of space, speed and distances when sliding down.



## Stair ladder

**Physical:** cross coordination is used, supporting the cooperation of the left and right halves of the brain, which. For young children.

# Slide

M351



Panels of 19mm EcoCore™. EcoCore™ is a highly durable, eco-friendly material, which is not only recyclable after use but also consists of a core produced from 100% recycled material.



Steps are made of HPL with a thickness of 17,8mm with a very high wearing strength and a unique KOMPAN nonskid surface texture.



The stainless-steel slides with one-piece slide bed are made of high-quality stainless-steel AISI 304.

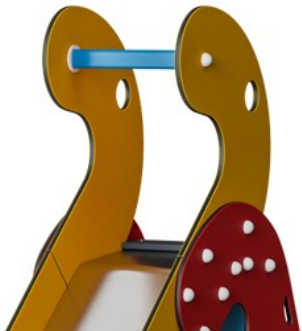
Item no. M35172-3418P

### Installation Information

Max. fall height	139 cm
Safety surfacing area	19.6 m <sup>2</sup>
Total installation time	6.0
Excavation volume	0.30 m <sup>3</sup>
Concrete volume	0.00 m <sup>3</sup>
Footing depth (standard)	62 cm
Shipment weight	264 kg
Anchoring options	In-ground ✓ Surface ✓

### Warranty Information

EcoCore HDPE	Lifetime
HPL Decks	15 years
Spare Parts Guarantee	10 years
Stainless Steel Slide	10 years



The handle is made of polypropylene PP, which has excellent impact strength and is suitable for hot climates.



KOMPAN GreenLine versions are designed with ultimate environmentally friendly materials with the lowest possible CO2e emission factor such as EcoCore™ panels of 100% post consumer recycled ocean waste.



# Sustainability Data

M351



Cradle to Gate A1-A3	Total CO <sub>2</sub> emission	CO <sub>2</sub> e/kg	Recycled materials
	kg CO <sub>2</sub> e	kg CO <sub>2</sub> e/kg	%
<b>M35172-3418P</b>	240.28	1.38	77.94

The overall framework applied for these factors is the Environmental Product Declaration (EPD), which quantifies "environmental information on the life cycle of a product and enable comparisons between products fulfilling the same function" (ISO, 2006). This follows the structure and applies a Life-Cycle Assessment approach to the entire Product stage from raw material through manufacturing (A1-A3))

**Kompan A/S**  
 C.F. Tietgens Boulevard 32C  
 DK-5220 Odense SØ  
 Denmark



## Verification of CO<sub>2</sub> calculation of: Freestanding play equipment



Data version no. 2023-10-05

The CO<sub>2</sub> calculation and data are in compliance with the principles of a carbon footprint impact according to the GHG protocol (Greenhouse Gas Protocol), Scope 3, cradle to gate related to all individual components in the product category: "Freestanding play equipment" represented by item no.: GXY916012-3417.

(Scope 3 emissions include emission sources in the upstream and downstream value chain).

**Date: 30. October 2023 | Valid until: 30. October 2025**

**Verified by:**

Julie Marie Vejsgaard Larsen, LCA & EPD Consultant

Verification based on report: Validation of CO<sub>2</sub> calculation of 9 categories of Kompan product line, version 1.0, prepared by: Bureau Veritas HSE, Denmark: Julie M. V. Larsen.

**Publication date: 30. October 2023**

**By Bureau Veritas HSE**  
 www.bureauveritas.dk  
 +45 7731 1000

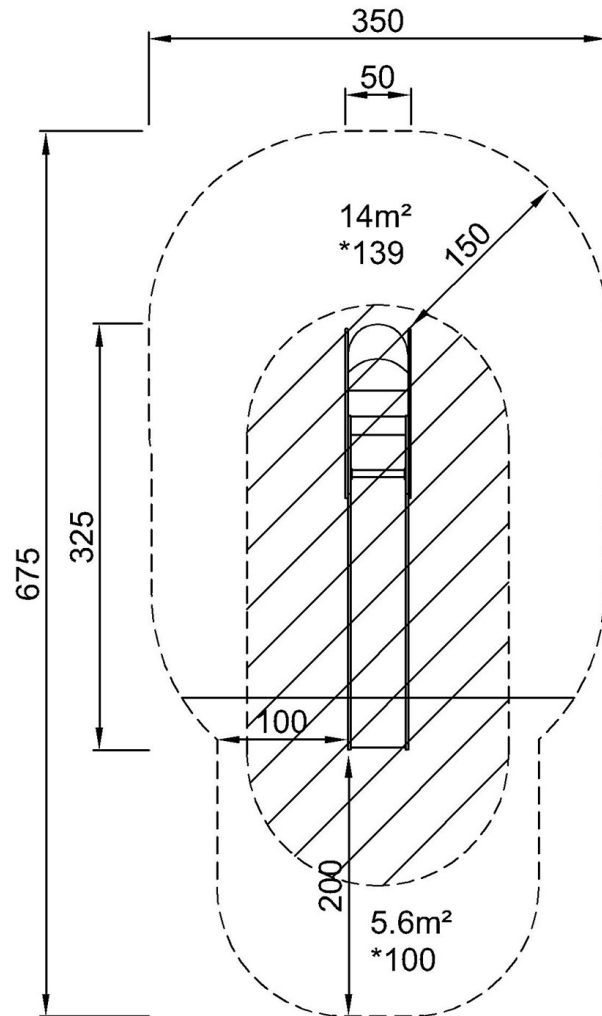


# Slide

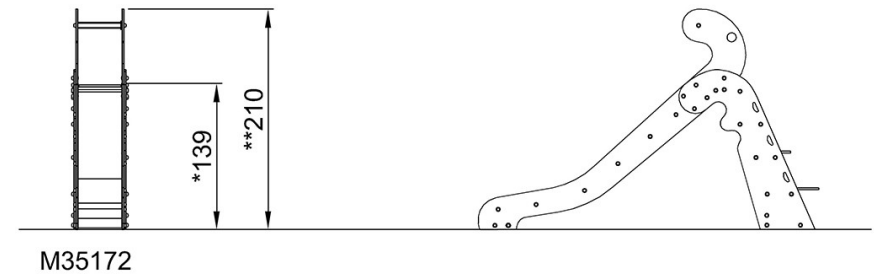
M351

\* Max fall height | \*\* Total height | \*\*\* Safety surfacing area

\* Max fall height | \*\* Total height



M35172  
\*139cm  
\*\*210cm  
\*\*\*19.6m<sup>2</sup>



[Click to see TOP VIEW](#)

[Click to see SIDE VIEW](#)