

# Super Combi 1, Sorvegliato

FSW251

**KOMPAN**  
Let's play



Il Super Combi 1 Sorvegliato offre le stesse opzioni del Super Combi 1 standard, ma include anche un connettore per la corda da battaglia, un connettore per il sacco da boxe e una stazione per esercizi con bilanciere. Questo articolo è destinato a aree sorvegliate o recintate come club sportivi o fitness, poiché questi elementi mobili non soddisfano gli

standard di sicurezza per luoghi pubblici. <br>I prodotti sorvegliati sono destinati solo a aree recintate o sorvegliate, come club fitness con sorveglianza o comunità recintate.

Codice articolo FSW25100-0900	
<b>Informazioni generali prodotto</b>	
Dimensioni (LxLxA)	533x550x325 cm
Età d'uso	13+
Capacità di gioco	13
Opzioni colori	



# Super Combi 1, Sorvegliato

FSW251



I pali (Ø101,6 x 2 mm) sono realizzati in acciaio al carbonio prezinco e verniciato a polvere, una grande protezione per tutte le condizioni.

The snake ladder is made of hot-dip galvanized s235 steel with the following dimensions Ø38 x 4mm. The steel surfaces are hot dip galvanised inside and outside with lead free zinc. The galvanisation has excellent corrosion resistance in outside environments and requires low maintenance.



The rings are made of molded polycarbonate and TPE to ensure a good grip and soft surface. The rings are rotatable and allows for a large variety of exercises.

Codice articolo FSW25100-0900

## Informazione installazione

Max. altezza di caduta	200 cm
Superficie di sicurezza	46,3 m <sup>2</sup>
Tempo d'installazione totale	11,5
Volume di scavo	0,83 m <sup>3</sup>
Volume di calcestruzzo	0,50 m <sup>3</sup>
Profondità di base (standard)	90 cm
Peso della spedizione	610 kg
Opzioni ancoraggio	Interrato ✓ Superficie ✓

## Garanzie

EcoCore	Garanzia a vita
Acciaio zincato	Garanzia a vita
Componenti PUR	10 anni
Garanzia pezzi di ricambio	10 anni
Acciaio	10 anni



The top plate for the jumping platform is made of Ekogrip® panels that consist of a 15 mm polyethylene bottom layer, with a 3 mm top-layer of thermoplastic rubber with a non-skid effect for safe jumping exercises under all-weather circumstances.



The plate for the target is made from 19mm EcoCore™ HDPE that consists of +95% recycled post-consumer material from e.g., food packing waste in both core and colorful outer layer.



The Dip-Station is designed with inclusive in mind, allowing wheelchair users to access the bars at either end. The two bars are placed at two different widths and heights – one narrow and high and one wide and low to allow for training of different individuals and muscle groups.

# Sustainability Data

FSW251



Cradle to Gate A1-A3	Total CO <sub>2</sub> emission	CO <sub>2</sub> e/kg	Recycled materials
	kg CO <sub>2</sub> e	kg CO <sub>2</sub> e/kg	%
<b>FSW25100-0900</b>	947,86	2,40	56,64

The overall framework applied for these factors is the Environmental Product Declaration (EPD), which quantifies "environmental information on the life cycle of a product and enable comparisons between products fulfilling the same function" (ISO, 2006). This follows the structure and applies a Life-Cycle Assessment approach to the entire Product stage from raw material through manufacturing (A1-A3))

**Kompan A/S**  
C.F. Tietgens Boulevard 32C  
DK-5220 Odense SØ  
Denmark



## Verification of CO<sub>2</sub> calculation of: Fitness



Data version no. 2023-10-05

The CO<sub>2</sub> calculation and data are in compliance with the principles of a carbon footprint impact according to the GHG protocol (Greenhouse Gas Protocol), Scope 3, cradle to gate related to all individual components in the product category: "Fitness" represented by item no.: FAZ10100-0900.

(Scope 3 emissions include emission sources in the upstream and downstream value chain).

**Date: 30. October 2023 | Valid until: 30. October 2025**

Verified by:

Julie Marie Vejsgaard Larsen, LCA & EPD Consultant

Verification based on report: Validation of CO<sub>2</sub> calculation of 9 categories of Kompan product line, version 1.0, prepared by: Bureau Veritas HSE, Denmark: Julie M. V. Larsen.

**Publication date: 30. October 2023**

By Bureau Veritas HSE  
www.bureauveritas.dk  
+45 7731 1000

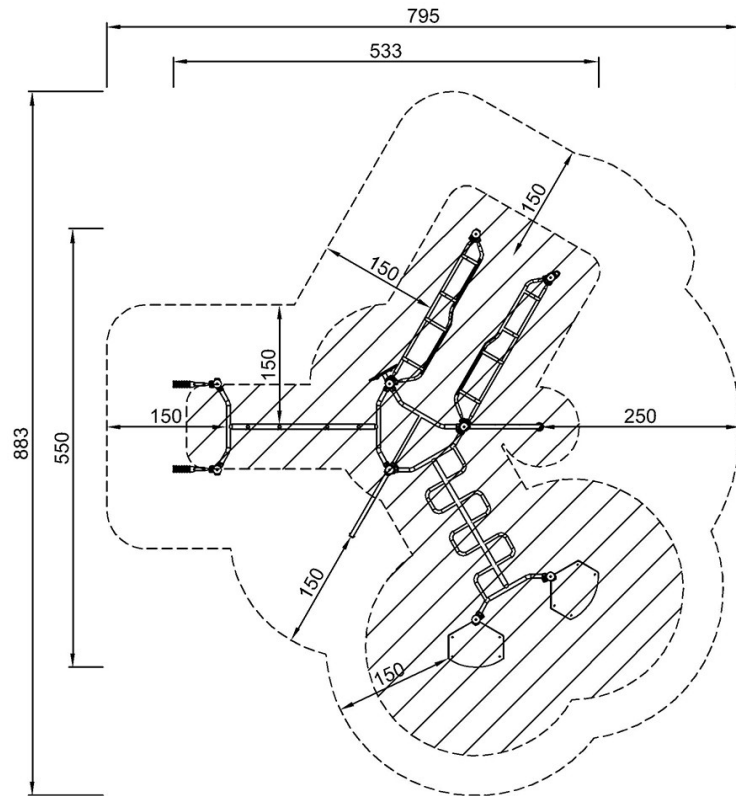


# Super Combi 1, Sorvegliato

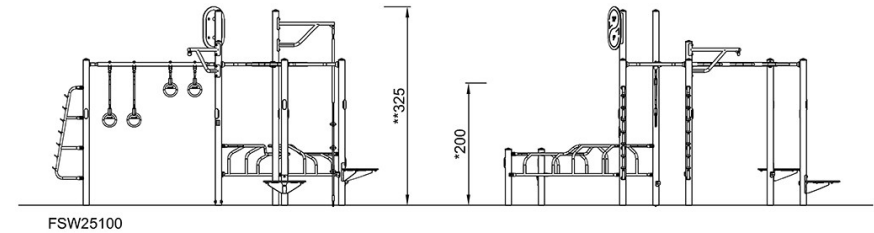
FSW251

Altezza di caduta massima | Altezza totale | Superficie di sicurezza

Altezza di caduta massima | Altezza totale



FSW25100  
\*200cm  
\*\*325cm  
\*\*\*46.3m<sup>2</sup>



[Fai clic per visualizzare il rapporto VISTA SUPERIORE](#)

[Fai clic per visualizzare il rapporto VISTA LATERALE](#)