

Butterfly Seesaw

NRO108



Item no. NRO108-0401

General Product Information

Dimensions LxWxH	160x140x70 cm
Age group	3+
Play capacity (users)	4
Colour options	



The Butterfly Seesaw takes the classic seesawing to new social heights: thanks to the springs, unequal numbers can play together. Children can even play this alone. That allows for varied play, a feature that will attract children again and again, for shorter or longer try-outs. The sense of space and rhythm and leg and arm strength of children is trained

when they rock and seesaw. The two varied surfaces, a flat horizontal and a rounded horizontal allow for more body positions: sitting, kneeling, lying. This accommodates a wider span of users, both age and ability-wise. Rocking trains the senses of balance and space. These are both crucial for body confidence, e.g. in avoiding falling. By doing

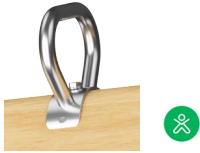
this more together, children develop important social-emotional skills such as turn-taking and cooperation.



Data is subject to change without prior notice.

Butterfly Seesaw

NRO108



Handhold

Physical: opens more hold positions and ensures good grip, necessary for rocking intensely which trains hand and arm muscles.



Rocking spring

Physical: response to movements adds to spatial awareness and sense of balance which are fundamental motor skills.

Cognitive: trains the understanding of cause and effect: when I move my body, the spring responds with movement.



Rocking together

Social-Emotional: the possibility of rocking two together trains cooperation skills and consideration of others.

Butterfly Seesaw

NRO108



All organic Robinia products by KOMPAN are made of Robinia wood which is sourced from sustainable plantation farms. On request it can be supplied as FSC® Certified (FSC® C004450).



KOMPAN's springs are manufactured from high-quality spring steel. The springs are cleaned by phosphating before being painted with epoxy primer and polyester powder coating. The springs are fixed by unique anti-pinch fittings for maximum safety and longevity.



The Robinia wood can be supplied as untreated raw wood or painted with a brown coloured transparent pigment that maintains the golden wood colour of the wood.

Item no. NRO108-0401	
Installation Information	
Max. fall height	94 cm
Safety surfacing area	9.5 m ²
Total installation time	4.0
Excavation volume	0.32 m ³
Concrete volume	0.00 m ³
Footing depth (standard)	41 cm
Shipment weight	130 kg
Anchoring options	In-ground ✓ Surface ✓
Warranty Information	
Handle	10 years
Robinia Wood	15 years
Spare Parts Guarantee	10 years
Springs	5 years
Stainless Steel Components	Lifetime



Sustainability Data

NRO108



Cradle to Gate A1-A3	Total CO ₂ emission	CO ₂ e/kg	Recycled materials
	kg CO ₂ e	kg CO ₂ e/kg	%
NRO108-0401	172.83	1.58	16.26

The overall framework applied for these factors is the Environmental Product Declaration (EPD), which quantifies "environmental information on the life cycle of a product and enable comparisons between products fulfilling the same function" (ISO, 2006). This follows the structure and applies a Life-Cycle Assessment approach to the entire Product stage from raw material through manufacturing (A1-A3))

Kompan A/S
 C.F. Tietgens Boulevard 32C
 DK-5220 Odense SØ
 Denmark



Verification of CO₂ calculation of: Nature play



Data version no. 2023-10-05

The CO₂ calculation and data are in compliance with the principles of a carbon footprint impact according to the GHG protocol (Greenhouse Gas Protocol), Scope 3, cradle to gate related to all individual components in the product category: "Nature play" represented by item no.: NRO409-0621.

(Scope 3 emissions include emission sources in the upstream and downstream value chain).

Date: 30. October 2023 | Valid until: 30. October 2025

Verified by:

Julie Marie Vejsgaard Larsen, LCA & EPD Consultant

Verification based on report: Validation of CO₂ calculation of 9 categories of Kompan product line, version 1.0, prepared by: Bureau Veritas HSE, Denmark: Julie M. V. Larsen.

Publication date: 30. October 2023

By Bureau Veritas HSE
 www.bureauveritas.dk
 +45 7731 1000

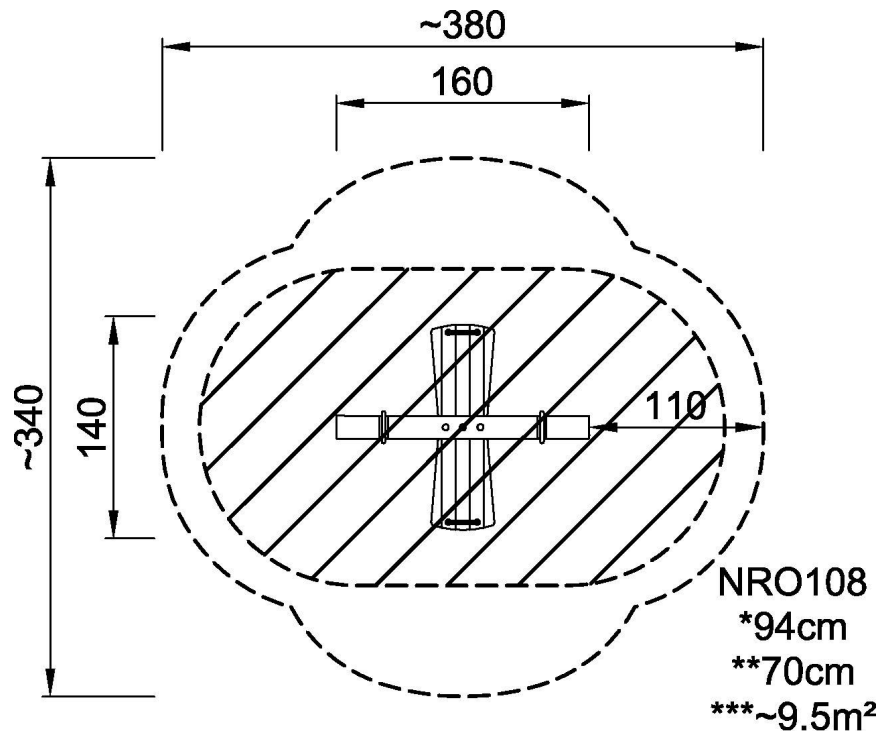


Butterfly Seesaw

NRO108

* Max fall height | ** Total height | *** Safety surfacing area

* Max fall height | ** Total height



[Click to see TOP VIEW](#)

[Click to see SIDE VIEW](#)