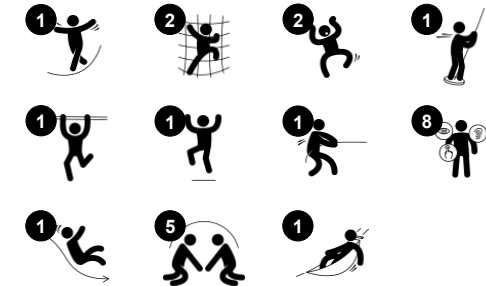


Castle Watch Tower

PCM112621



Item no. PCM112621-0901	
General Product Information	
Dimensions LxWxH	306x425x470 cm
Age group	4+
Play capacity (users)	14
Colour options	●



A lot of play in a little space: The Castle Watch Tower will inspire young children to actively play again and again. The scaled entry points inspire creative ways to get to the top of the tower. The climber access provides an age-appropriate challenge to strengthen muscles and help develop cross-coordination skills. This enhances children's abilities to use both sides

of their brain, and supports the internal structures that enable reading and thinking. On the platform, a balcony invites a view of the playground. The slide or fireman's pole offer thrilling exits. The higher fireman's pole is for dare devils, training the sense of space when holding tight and flying down. Sliding supports posture and balance, fundamental senses for

all other physical skills. A swaying hammock under the platform invites children to take a break. The door immerses children in the medieval theme, inviting dramatic play and stimulating language development. In young children, the door is an obstacle that encourages hiding games and the understanding of object permanence.

Castle Watch Tower

PCM112621



Cannon

Cognitive: the cannon set a tangible theme and thus spur dramatic play. Dramatic play supports language and communication skills.



Fireman's pole

Physical: supports coordination, arm and core muscles. Landing strengthens bone density. **Social-Emotional:** turn-taking and risk-taking.



Rapella

Physical: supports cross coordination, proprioception and sense of space. Leg, core and upper body muscles are used intensely. **Social-Emotional:** turn-taking and self-regulation, both important life skills.



Slime door

Physical: tactile stimulation from moving the body through the rubber slime door. **Social-Emotional:** stimulates turn-taking. **Cognitive:** slime door encourages hide-and-seek, peek a boo games. Trains understanding of object permanence.



Hammock

Physical: coordination and sense of balance when swaying. **Social-Emotional:** meeting, pushing friends gently back and forth, turn-taking. **Cognitive:** for toddlers 'cause and effect' understanding.



Slide

Physical: develops spatial awareness, sense of balance and trains core muscles when sitting upright going down. **Social-Emotional:** empathy stimulated by turn-taking.



Climbing wall

Physical: develops children's cross coordination, eye-hand coordination, and muscle strength when climbing. **Social-Emotional:** two-sided climb invites cooperation.

Castle Watch Tower

PCM112621



Panels of 19mm EcoCore™. EcoCore™ is a highly durable, eco-friendly material, which is not only recyclable after use but also consists of a core produced from 100% recycled material.



Main posts with hot-dip galvanised steel footing are available in different materials including; pressure impregnated pinewood posts, pre-galvanised posts that are powder-coated or a lead-free aluminium option with an anodised colour top finish.



All decks are supported by unique designed low-carbon aluminum profiles with multiple attachment options. The grey colored molded decks are made of 75% post-consumer waste PP material with a non-skid pattern and texture surface.



The slides can be chosen in different materials and colours. Options include straight, or curved moulded PE slides in yellow or grey colour or a full stainless steel option which is a more vandalism proof solutions.



KOMPAN Play Systems can be customised to meet individual client needs and site considerations. Visit the products www.KOMPAN.com.au to view our panels, decks, post, slides, and other play activities options which are all durable solutions for any outdoor environment.

Item no. PCM112621-0901

Installation Information

Max. fall height	178 cm
Safety surfacing area	32.0 m ²
Total installation time	16.0
Excavation volume	0.98 m ³
Concrete volume	0.38 m ³
Footing depth (standard)	90 cm
Shipment weight	607 kg
Anchoring options	In-ground ✓ Surface ✓

Warranty Information

EcoCore HDPE	Lifetime
Post	10 years
PP Decks	10 years
Ropes & Nets	10 years
Spare Parts Guarantee	10 years



Sustainability Data

PCM112621



Cradle to Gate A1-A3	Total CO ₂ emission	CO ₂ e/kg	Recycled materials
	kg CO ₂ e	kg CO ₂ e/kg	%
PCM112621-0901	1,028.87	2.36	58.25

The overall framework applied for these factors is the Environmental Product Declaration (EPD), which quantifies "environmental information on the life cycle of a product and enable comparisons between products fulfilling the same function" (ISO, 2006). This follows the structure and applies a Life-Cycle Assessment approach to the entire Product stage from raw material through manufacturing (A1-A3))

Kompan A/S
 C.F. Tietgens Boulevard 32C
 DK-5220 Odense SØ
 Denmark



Verification of CO₂ calculation of: Themed play systems



Data version no. 2023-10-05

The CO₂ calculation and data are in compliance with the principles of a carbon footprint impact according to the GHG protocol (Greenhouse Gas Protocol), Scope 3, cradle to gate related to all individual components in the product category: "Themed play systems" represented by item no.: MSC641100-3717P.

(Scope 3 emissions include emission sources in the upstream and downstream value chain).

Date: 30. October 2023 | Valid until: 30. October 2025

Verified by:

Julie Marie Vejsgaard Larsen, LCA & EPD Consultant

Verification based on report: Validation of CO₂ calculation of 9 categories of Kompan product line, version 1.0, prepared by: Bureau Veritas HSE, Denmark: Julie M. V. Larsen.

Publication date: 30. October 2023

By Bureau Veritas HSE
 www.bureauveritas.dk
 +45 7731 1000

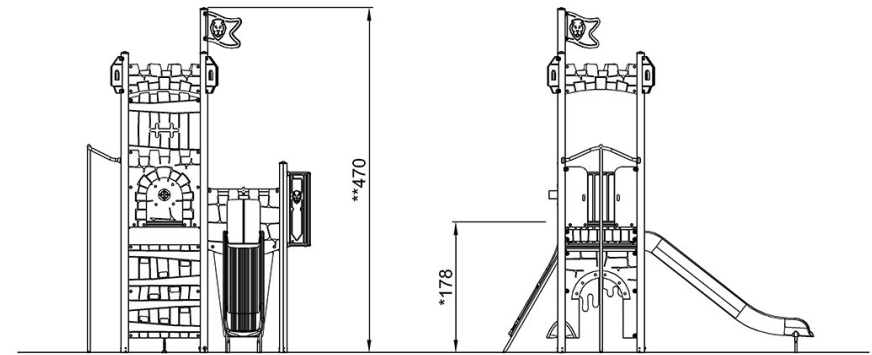
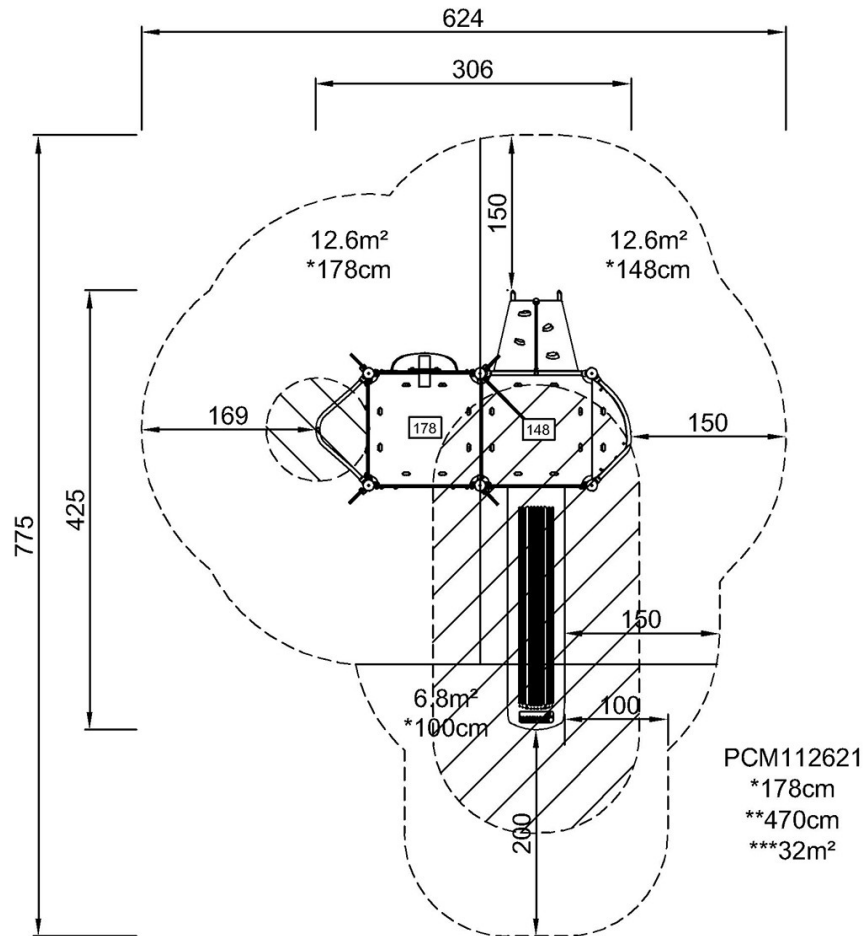


Castle Watch Tower

PCM112621

* Max fall height | ** Total height | *** Safety surfacing area

* Max fall height | ** Total height



PCM112621

[Click to see TOP VIEW](#)

[Click to see SIDE VIEW](#)