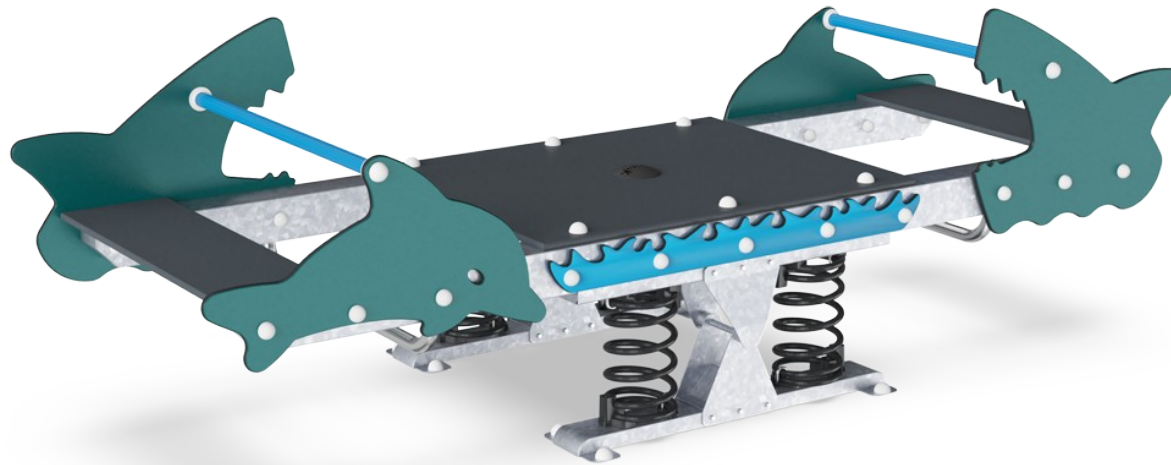


Ocean Multi Seesaw

M187



Item no. M18775-01P

General Product Information

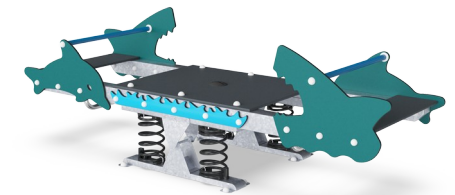
Dimensions LxWxH	108x315x100 cm
Age group	3+
Play capacity (users)	10
Colour options	 



The Ocean Multi Seesaw helps encourage children to join in play, rocking together. The modern design and sturdy back and foot support to allow for many children of all abilities to play together. The risk seekers can stand on the middle platform securely, sensing the movement of the others. The spacious platform also allows for socializing and children can lay

down or sit. There is room enough for caregivers, too. The seats at the end are big enough for older children as well as adults. The fun thrill of rocking, individually, in small or in big groups, will make children return for more. Rocking on the Ocean multi seesaw trains the children's muscles and motor skills, their balance, and coordination. The spaciousness

of the seesaw supports the development of social-emotional skills, e.g. cooperation, consideration, and turn-taking. Toddlers experience cause-and-effect understanding.



Data is subject to change without prior notice.

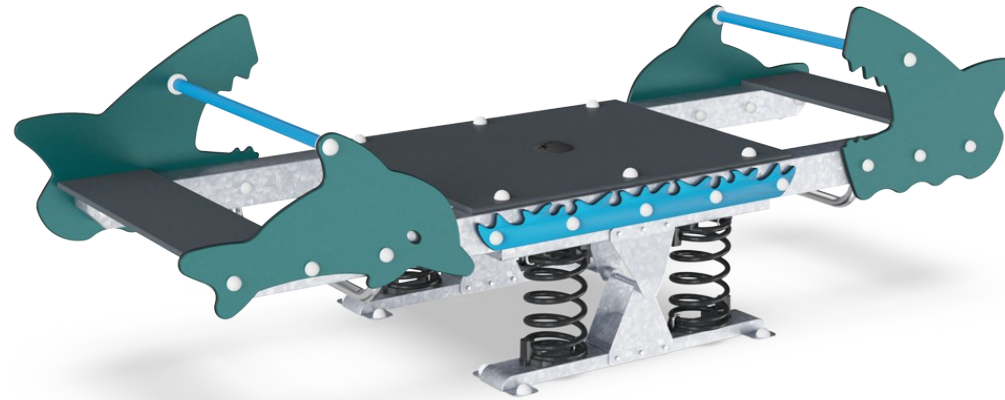
Ocean Multi Seesaw

M187



Double seating option

Social-Emotional: rocking together supports cooperation skills, and physical contact with others is great for children's wellbeing, measurable in lower cortisol levels.



Center platform

Physical: supports agility, balance and coordination, using leg and core muscles, building bone density when jumping. Facilitate sitting and lying, allows for users with disabilities. **Social-Emotional:** provides an inclusive space for gathering and for care givers assisting. Teamwork and socialising when rocking together.



Rocking spring

Physical: response to movements adds to spatial awareness and sense of balance which are fundamental motor skills. **Cognitive:** trains the understanding of cause and effect: when I move my body, the spring responds with movement.



Rocking together

Social-Emotional: the possibility of rocking two together trains cooperation skills and consideration of others.



Theme

Cognitive: suggests a theme and supports dramatic play, which stimulates language and communication skills.



Foot support

Physical: the footrest supports intensive rocking, which stimulates the senses of balance and space, fundamental for managing the world securely.



Handhold

Physical: opens more hold positions and ensures good grip, necessary for rocking intensely which trains hand and arm muscles.

Ocean Multi Seesaw

M187



Panels of 19mm EcoCore™. EcoCore™ is a highly durable, eco-friendly material, which is not only recyclable after use but also consists of a core produced from 100% recycled material.



KOMPAN's springs are manufactured from high-quality spring steel. The springs are cleaned by phosphating before being painted with epoxy primer and polyester powder coating. The springs are fixed by unique anti-pinch fittings for maximum safety and longevity.



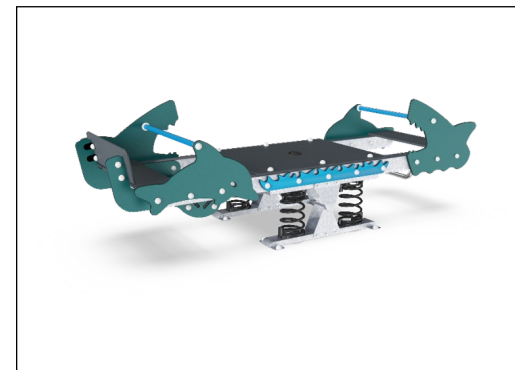
The springs are fixed by unique anti-pinch fittings for maximum safety and longevity.



The steel support posts are hot-dip galvanised inside and outside with lead free zinc. The galvanisation has excellent corrosion resistance in outside environments and requires low maintenance.



Platform and seats are made of HPL with a thickness of 17,8mm with a very high wearing strength and a unique KOMPAN non-skid surface texture.



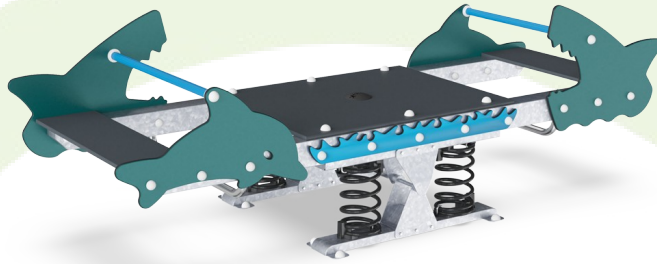
KOMPAN GreenLine versions are designed with ultimate environmentally friendly materials with the lowest possible CO2e emission factor such as EcoCore™ panels of 100% post consumer recycled ocean waste.

Item no. M18775-01P	
Installation Information	
Max. fall height	100 cm
Safety surfacing area	18.0 m ²
Total installation time	7.9
Excavation volume	0.15 m ³
Concrete volume	0.00 m ³
Footing depth (standard)	42 cm
Shipment weight	290 kg
Anchoring options	In-ground ✓ Surface ✓
Warranty Information	
EcoCore HDPE	Lifetime
Galvanised Steel	Lifetime
HPL Platform	15 years
Spare Parts Guarantee	10 years
Springs	5 years



Sustainability Data

M187



Cradle to Gate A1-A3	Total CO ₂ emission	CO ₂ e/kg	Recycled materials
	kg CO ₂ e	kg CO ₂ e/kg	%
M18775-01P	590.25	2.44	40.78

The overall framework applied for these factors is the Environmental Product Declaration (EPD), which quantifies "environmental information on the life cycle of a product and enable comparisons between products fulfilling the same function" (ISO, 2006). This follows the structure and applies a Life-Cycle Assessment approach to the entire Product stage from raw material through manufacturing (A1-A3))

Kompan A/S
 C.F. Tietgens Boulevard 32C
 DK-5220 Odense SØ
 Denmark



Verification of CO₂ calculation of: Freestanding play equipment



Data version no. 2023-10-05

The CO₂ calculation and data are in compliance with the principles of a carbon footprint impact according to the GHG protocol (Greenhouse Gas Protocol), Scope 3, cradle to gate related to all individual components in the product category: "Freestanding play equipment" represented by item no.: GXY916012-3417.

(Scope 3 emissions include emission sources in the upstream and downstream value chain).

Date: 30. October 2023 | Valid until: 30. October 2025

Verified by:

Julie Marie Vejsgaard Larsen, LCA & EPD Consultant

Verification based on report: Validation of CO₂ calculation of 9 categories of Kompan product line, version 1.0, prepared by: Bureau Veritas HSE, Denmark: Julie M. V. Larsen.

Publication date: 30. October 2023

By Bureau Veritas HSE
 www.bureauveritas.dk
 +45 7731 1000

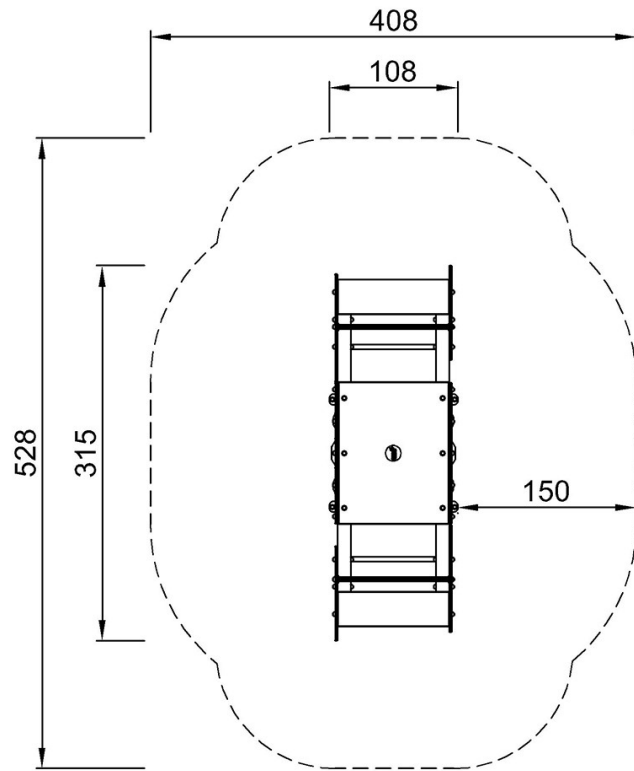


Ocean Multi Seesaw

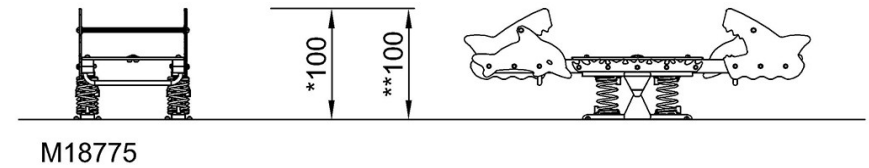
M187

* Max fall height | ** Total height | *** Safety surfacing area

* Max fall height | ** Total height



M18775
*100cm
**100cm
***18m²



M18775

[Click to see TOP VIEW](#)

[Click to see SIDE VIEW](#)