

# Leg Press Pro

FAZ603

**KOMPAN**  
Let's play



Item no. FAZ60300-0001

## General Product Information

Dimensions LxWxH 162x236x214 cm

Age group 13+

Play capacity (users) 1

Colour options 



See KOMPAN Fit app for more

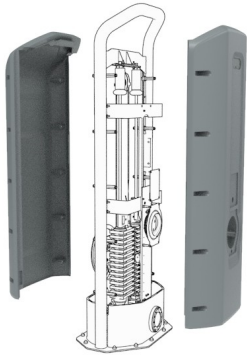


With adjustable load, adjustable seat, and large footplate, the machine facilitates individually adapted exercises that strengthen hip extensor, knee extensor and ankle muscles in a horizontal forward movement. The strength machines and benches allow for simple, safe, and effective strength training for all major muscle groups. This increases daily functional

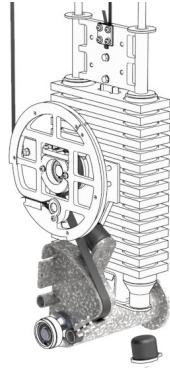
capacity, especially for the elderly, sports performance, aesthetic appearance, and metabolic fitness. The 130kg weight stack is fully covered and can be adjusted in steps of 10kg by a smart and patented handle. Making the product very easy to train on and completely safe to be in the outdoors!

# Leg Press Pro

FAZ603



The cover protects all the moving parts from vandalism and entrapments. The cover is made of 5mm rotomolded LLDPE, Linear low-density polyethylene, with excellent impact strength and usable within a large temperature span.



The resistance unit and all mechanical stops are hidden in the fully closed cabinet. As a result, entrapment is not possible, making it extremely safe to use and providing protection against the elements. The products are EN 16630 certified and comply with the ASTM F3101 for unsupervised outdoor fitness equipment.



The input shaft is Ø101,3 x 2,9mm S355 Hot Dip Galvanized and Powder-coated steel. The bearing house is Cast Aluminum (EN AB-44100 / EN AB-AISi12(a)) with self-aligning sealed ball bearings. An extremely strong and durable construction.

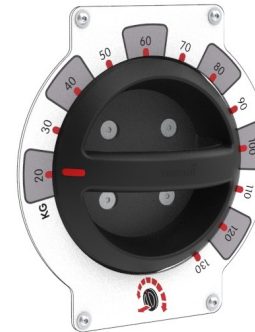
Item no. FAZ60300-0001	
Installation Information	
Max. fall height	63 cm
Safety surfacing area	20.5 m <sup>2</sup>
Total installation time	11.4
Excavation volume	0.00 m <sup>3</sup>
Concrete volume	0.00 m <sup>3</sup>
Footing depth (standard)	0 cm
Shipment weight	771 kg
Anchoring options	Surface ✓
Warranty Information	
Hot dip galvanised steel	Lifetime
Movable parts	2 years
PUR components	10 years
ROSTA element	2 years
Spare parts guaranteed	10 years



The footplate is made from Stainless Steel this provides good protection against corrosion. The plate also has an Anti Slip texture for optimal grip.



The seat and head support are made of Polyurethane Rubber and have a steel insert plate that connects it to the steel frame. The seat is adjustable in 14 different settings to fit users from 140/ 205 cm tall and to vary the type of exercises. The seat is positioned under a 12-degree angle and the back supports a 48-degree angle. The back support has a groove, accommodating a comfortable position.



The 130kg weight stack is fully covered and can be adjusted with a rotatable handle in 12 steps of 10 kg. The smart selector system is intuitive in use and patent-pending. No pins that get lost or get stuck, you simply pull and rotate the handle to select a different weight.



# Sustainability Data

FAZ603



Cradle to Gate A1-A3	Total CO <sub>2</sub> emission	CO <sub>2</sub> e/kg	Recycled materials
	kg CO <sub>2</sub> e	kg CO <sub>2</sub> e/kg	%
FAZ60300-0001	1,713.42	2.97	44.80

The overall framework applied for these factors is the Environmental Product Declaration (EPD), which quantifies "environmental information on the life cycle of a product and enable comparisons between products fulfilling the same function" (ISO, 2006). This follows the structure and applies a Life-Cycle Assessment approach to the entire Product stage from raw material through manufacturing (A1-A3))

**Kompan A/S**  
 C.F. Tietgens Boulevard 32C  
 DK-5220 Odense SØ  
 Denmark



## Verification of CO<sub>2</sub> calculation of: Fitness



Data version no. 2023-10-05

The CO<sub>2</sub> calculation and data are in compliance with the principles of a carbon footprint impact according to the GHG protocol (Greenhouse Gas Protocol), Scope 3, cradle to gate related to all individual components in the product category: "Fitness" represented by item no.: FAZ10100-0900.

(Scope 3 emissions include emission sources in the upstream and downstream value chain).

**Date: 30. October 2023 | Valid until: 30. October 2025**

Verified by:

Julie Marie Vejsgaard Larsen, LCA & EPD Consultant

Verification based on report: Validation of CO<sub>2</sub> calculation of 9 categories of Kompan product line, version 1.0, prepared by: Bureau Veritas HSE, Denmark: Julie M. V. Larsen.

**Publication date: 30. October 2023**

By Bureau Veritas HSE  
 www.bureauveritas.dk  
 +45 7731 1000

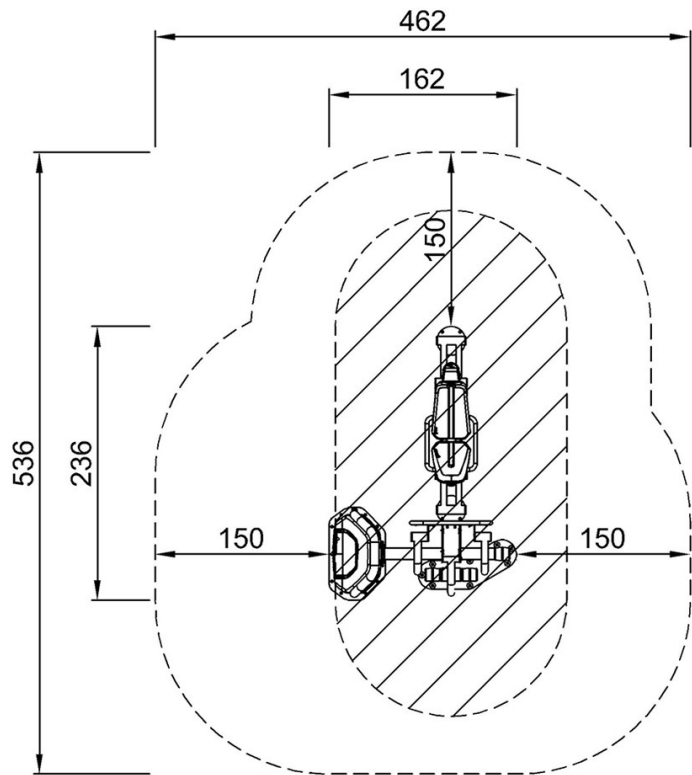


# Leg Press Pro

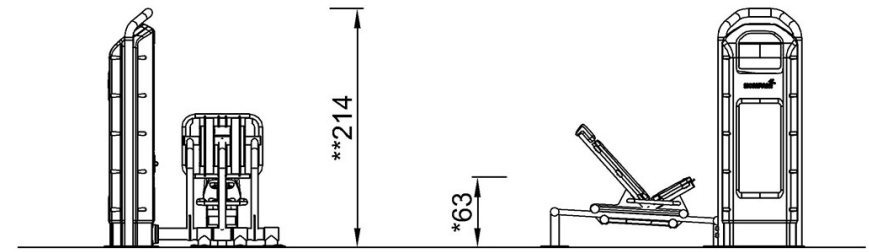
FAZ603

\* Max fall height | \*\* Total height | \*\*\* Safety surfacing area

\* Max fall height | \*\* Total height



FAZ60300  
\*63cm  
\*\*214cm  
\*\*\*20.5m<sup>2</sup>



FAZ603

[Click to see TOP VIEW](#)

[Click to see SIDE VIEW](#)