

Agora Steel Bench

PAR4150



Item no. PAR4150-0609

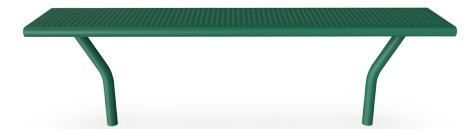
General Product Information

Dimensions LxWxH 1'2"x5'7"x1'8"

Age group

Play capacity (users) -

Color options



AGORA is developed according to the latest inclusive design principles for outdoor furnishings without compromising on design qualities. KOMPAN truly believes in making public spaces more attractive and accessible for all. AGORA offers a high level of flexibility when it comes to anchoring, color and material options in order to inspire architectural

creativity and to fit the site specific requirements for individual customer projects. The complete AGORA line is available in highly vandalism resistant steel versions where tabletop and seat are made of perforated HDG Steel, leaving very little need for maintenance. The steel versions are available in accent colors to support a city's visual identity or make

a statement.

Agora Steel Bench

PAR4150



The steel surfaces are hot dip galvanized inside and outside with lead free zinc. The galvanization has excellent corrosion resistance in outdoor environments and require low maintenance. Painted steel parts are hot dip galvanized before powder coating.



Powder coated top finish on top of galvanization is processed in two steps: Light grinding and clean sweeping, powder coating - thickness 70-120 µm.

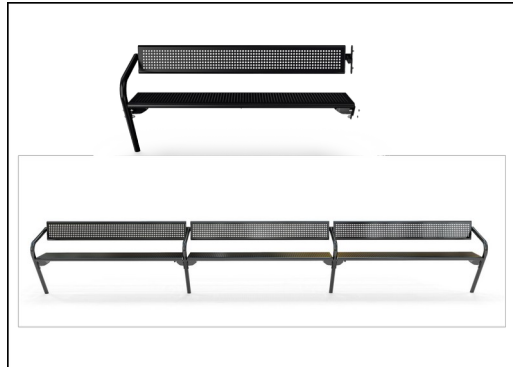


The Agora full steel assortment is available in 9 standard colors to match the selected color scheme on the play, sport or fitness site.

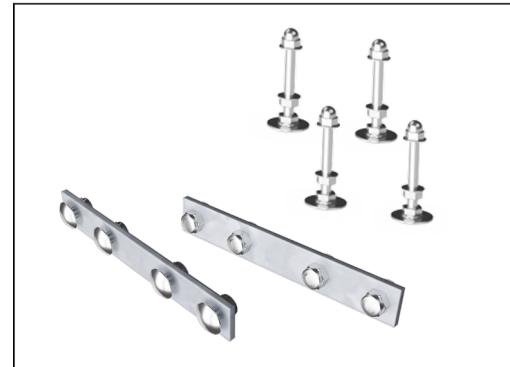
Item no. PAR4150-0609	
Installation Information	
Total installation time	0.9
Excavation volume	0.14yd ³
Concrete volume	0.1yd ³
Footing depth (standard)	2'0"
Shipment weight	73lbs
Anchoring options	Surface ✓ In-ground ✓
Warranty Information	
Hot dip galvanized steel	Lifetime
Painted toplayer	10 Years
Spare Parts Availability	10 Years
Stainless steel components	Lifetime



KOMPAN outdoor furniture is available for surface and in-ground installation. Surface installation involves anchoring to the base layer, and in-ground installation is direct in-ground or additional hot-dip galvanized steel brackets.



The standard available benches and tables can be dressed up with back support, armrests, tables etc. and linked together into tailored solutions for the individual location.



The hardware is made of stainless steel or galvanized steel to ensure a high corrosion-resistant, durable connection.

Sustainability Data

PAR4150



Cradle to Gate A1-A3	Total CO ₂ emission	CO ₂ e/kg	Recycled materials
	kg CO ₂ e	kg CO ₂ e/kg	%
PAR4150-0609	80.86	2.58	50.00

The overall framework applied for these factors is the Environmental Product Declaration (EPD), which quantifies "environmental information on the life cycle of a product and enable comparisons between products fulfilling the same function" (ISO, 2006). This follows the structure and applies a Life-Cycle Assessment approach to the entire Product stage from raw material through manufacturing (A1-A3))

Kompan A/S
 C.F. Tietgens Boulevard 32C
 DK-5220 Odense SØ
 Denmark



Verification of CO₂ calculation of: Park



Data version no. 2023-10-05

The CO₂ calculation and data are in compliance with the principles of a carbon footprint impact according to the GHG protocol (Greenhouse Gas Protocol), Scope 3, cradle to gate related to all individual components in the product category: "Park" represented by item no.: PAR4070-0001.

(Scope 3 emissions include emission sources in the upstream and downstream value chain).

Date: 30. October 2023 | Valid until: 30. October 2025

Verified by:

Julie Marie Vejsgaard Larsen, LCA & EPD Consultant

Verification based on report: Validation of CO₂ calculation of 9 categories of Kompan product line, version 1.0, prepared by: Bureau Veritas HSE, Denmark: Julie M. V. Larsen.

Publication date: 30. October 2023

By Bureau Veritas HSE
 www.bureauveritas.dk
 +45 7731 1000

