

Chest Press Pro

FAZ601

KOMPAN
Let's play



通过可调节的负荷和多功能手柄，该设备可进行适合个人情况的练习，在向前运动的过程中增强胸部、肩部和肘部伸展肌的力量。Bench 和力量训练器的组合可以对所有主要肌肉群进行简单、安全和有效的力量训练，可以提高日常运动能力，尤其是对老年人的日常运动能力、运动表现、身体姿势和新陈代谢能力有益。该设备可以进行 80kg 的重量训练，可通过智能专利手柄以 5kg

为单位进行 16 级调节，非常易于使用，放置在户外也完全安全！

产品编号 FAZ60100-0001

产品信息概览

长宽高尺寸	194x107x214 cm
适用年龄段	13+
容纳人数	1
颜色选择	



查看 KOMPAN Fit 健身应用程序了解更多信息

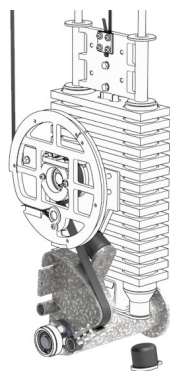


Chest Press Pro

FAZ601



The cover protects all the moving parts from vandalism and entrapments. The cover is made of 5mm rotomolded LLDPE, Linear low-density polyethylene, with excellent impact strength and usable within a large temperature span.



The resistance unit and all mechanical stops are hidden in the fully closed cabinet. As a result, entrapment is not possible, making it extremely safe to use and providing protection against the elements. The products are EN 16630 certified and comply with the ASTM F3101 for unsupervised outdoor fitness equipment.



The seat is made of Polyurethane Rubber and has a steel insert plate that is electro-galvanized. The steel plate connects the seat to the frame. This construction makes the seat extremely durable against wear & tear and still very comfortable for a great user experience. The seat is positioned at a height of 46 cm, a comfortable height that makes the transfer from a wheelchair easy.

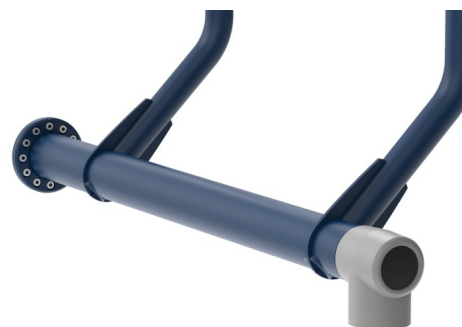
产品编号 FAZ60100-0001	
安装信息	
最大跌落高度	44 cm
安全面积	18.0 m ²
安装总时长	8.6
开挖量	0.00 m ³
混凝土使用量	0.00 m ³
标准入地深度	0 cm
运输重量	487 kg
固定选项	地表 ✓
质保信息	
镀锌钢结构	终身质保
活动部件	2 年
PUR 部件	10 年
承保零部件	10 年
不锈钢零件	终身质保



The ergonomically shaped handles have different grip areas for adaptable training, allowing people from 140 – 205 cm tall, to perform the exercise ergonomically correctly and at the same time allowing multiple different exercises. The handles are Aluminum cast and have a diameter of Ø 33mm. The Grip Powder coating, used on the support handle, is highly durable against wear and tear, offers isolation, and simultaneously gives users an outstanding grip during their workout.



The 80kg weight stack is fully covered and can be adjusted with a rotatable handle in 16 steps of 5 kg. The smart selector system is intuitive in use and patent-pending. No pins that get lost or get stuck, you simply pull and rotate the handle to change to select a different weight.



The input shaft is Ø101,3 x 2,9mm S355 Hot Dip Galvanized and Powder-coated steel. The bearing house is Cast Aluminum (EN AB-44100 / EN AB-AISI12(a)) with self-aligning sealed ball bearings. An extremely strong and durable construction



Sustainability Data

FAZ601



从原材料到成品	CO ₂ 排放总量	CO ₂ 排放量 / 千克	回收的原料
	kg CO ₂ e	kg CO ₂ e/kg	%
FAZ60100-0001	1,014.58	2.97	42.45

这些因素采用的总体框架为环保产品声明 (EPD), 该声明可量化“产品生命周期的环保信息, 并对相同功能的产品进行对比” (ISO, 2006)。在遵循该框架的同时, 对从原材料到制造的整个产品阶段 (A1-A3) 应用生命周期评估法。

Kompan A/S
C.F. Tietgens Boulevard 32C
DK-5220 Odense SØ
Denmark



Verification of CO₂ calculation of: Fitness



Data version no. 2023-10-05

The CO₂ calculation and data are in compliance with the principles of a carbon footprint impact according to the GHG protocol (Greenhouse Gas Protocol), Scope 3, cradle to gate related to all individual components in the product category: "Fitness" represented by item no.: FAZ10100-0900.

(Scope 3 emissions include emission sources in the upstream and downstream value chain).

Date: 30. October 2023 | Valid until: 30. October 2025

Verified by:

Julie Marie Vejsgaard Larsen, LCA & EPD Consultant

Verification based on report: Validation of CO₂ calculation of 9 categories of Kompan product line, version 1.0, prepared by: Bureau Veritas HSE, Denmark: Julie M. V. Larsen.

Publication date: 30. October 2023

By Bureau Veritas HSE
www.bureauveritas.dk
+45 7731 1000

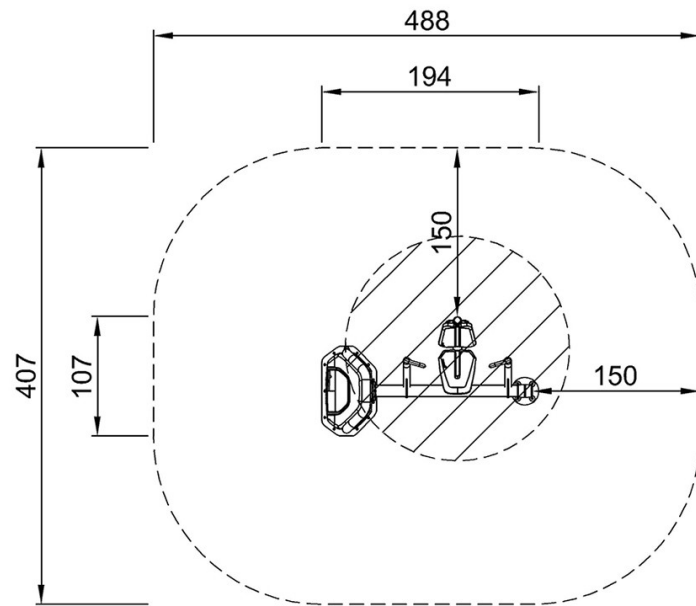


Chest Press Pro

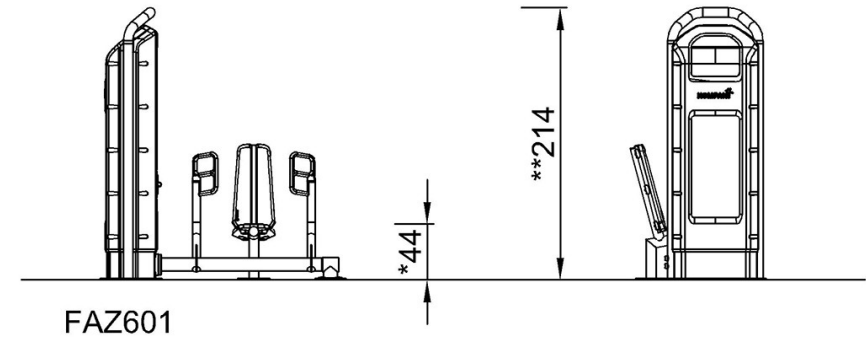
FAZ601

最大跌落高度 | 总高度 | 安全区域

最大跌落高度 | 总高度



FAZ60100
*44cm
**214cm
***18m²



[点击查看俯视图](#)

[点击查看侧面图](#)