


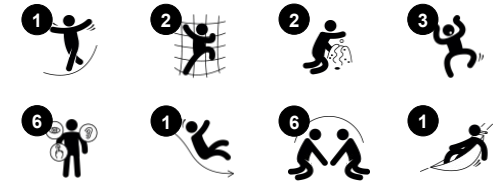
Caravelle with Stairs

PCM102631

KOMPAN
Let's play



Item no. PCM102631-0901	
General Product Information	
Dimensions LxWxH	18'6"x11'8"x14'6"
Age group	2 - 5
Play capacity (users)	15
Color options	



Wow! This exciting ship offers multiple ways to enter the fun and will encourage children to interact and move, supporting the development of their muscles as well as their social and dramatic play skills. This is essential for early development, in particular for language development. Carefully designed play elements, such as the steering wheel,

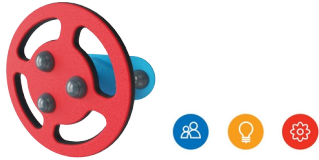
encourage exploration and dramatic play, stimulating logical thinking and language skills. The accessible stairway is a helpful easy entrance that provides an informal meeting place, too. The structure provides physical challenge, stimulating cross-coordination and proprioception, which are important for the child's feeling of security in the world. The

hammock at ground level extends the play with its swaying play invitation, stimulating the sense of balance.



Caravelle with Stairs

PCM102631



Turning wheel

Social-Emotional: develops turn-taking, communication and cooperation. **Cognitive:** the manipulative item stimulates cause and effect understanding, logical thinking and communication. **Creative:** working with moveable play items that can leave a mark supports the child's creativity.



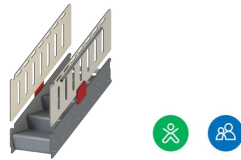
Theme

Cognitive: suggests a theme and supports dramatic play, which stimulates language and communication skills.



Slide

Physical: sliding develops spatial awareness and a sense of balance. Furthermore, the core muscles are trained when sitting upright going down. **Social-Emotional:** empathy stimulated by turn-taking. **Cognitive:** young children develop their understanding of space, speed and distances when sliding down quickly.



Accessible stairway

Physical: climbing the accessible stairway is for all and supports cross coordination as well as arm and leg muscles. For young children, walking stairs and alternating feet is developed. **Social-Emotional:** room for active breaks and adult helpers. An inclusive space.



Desk

Social-Emotional: fine meeting place and a space creator. Sharing and cooperation from both sides create a social scenario that supports communication and cooperation.



Hammock

Physical: coordination and sense of balance when swaying. **Social-Emotional:** meeting, pushing friends gently back and forth, turn-taking. **Cognitive:** for toddlers cause and effect understanding.



Binoculars

Cognitive: the binoculars set a tangible theme and so spur dramatic play. Dramatic play is great for developing language and communication skills. **Creative:** the binoculars can be turned in all directions. Looking through them gives a new perspective on the world.

Caravelle with Stairs

PCM102631



Panels of 19mm EcoCore™. EcoCore™ is a highly durable, eco friendly material, which is not only recyclable after use, but also consists of a core produced from 100% recycled material.



Main posts with hot dip galvanized steel footing are available in different materials: Pressure impregnated pine wood posts. Pre-galvanized inside and outside with powder coated top finish steel posts. Lead free aluminium with color anodized top finish.



All decks are supported by uniquely designed low-carbon aluminum profiles with multiple attachment options. The grey-colored molded decks are made of 75% post-consumer ocean waste PP material with a non-skid pattern and texture surface.

Item no. PCM102631-0901	
Installation Information	
Max. fall height	3'10"
Safety surfacing area	484ft ²
Total installation time	19.7
Excavation volume	0.78yd ³
Concrete volume	0.17yd ³
Footing depth (standard)	2'11"
Shipment weight	1311lbs
Anchoring options	In-ground ✓ Surface ✓
Warranty Information	
EcoCore HDPE	Lifetime
Post	10 Years
PP Decks	10 Years
Ropes & nets	10 Years
Spare Parts Availability	10 Years



The slides can be chosen in different materials and colors: Straight or curved molded PE slides in yellow or grey color. Full stainless steel in on-piece design for more vandalism proof solutions.



Nets and ropes are made of UV-stabilized PA with inner steel cable reinforcement. The rope is induction treated in order to create a strong connection between steel and rope which leads to good wear resistance.



KOMPAN Play Systems can be customized to match individual demands. Visit the products www.KOMPAN.us to see options with the digital KOMPAN Solution Planner. Multiple options for panels, decks, posts, slides, and other play activities ensure durable solutions in any outdoor environment.

Elevated activities 3	Accessible elevated activities	Accessible ground level activities	Accessible ground level play types
Present	3	3	1
Required	2	1	1

**ASTM
F1487**
compliant

Sustainability Data

PCM102631



Cradle to Gate A1-A3	Total CO ₂ emission	CO ₂ e/kg	Recycled materials
	kg CO ₂ e	kg CO ₂ e/kg	%
PCM102631-0901	985.43	2.16	61.92

The overall framework applied for these factors is the Environmental Product Declaration (EPD), which quantifies "environmental information on the life cycle of a product and enable comparisons between products fulfilling the same function" (ISO, 2006). This follows the structure and applies a Life-Cycle Assessment approach to the entire Product stage from raw material through manufacturing (A1-A3))

Kompan A/S
 C.F. Tietgens Boulevard 32C
 DK-5220 Odense SØ
 Denmark



Verification of CO₂ calculation of: Play systems



Data version no. 2023-10-05

The CO₂ calculation and data are in compliance with the principles of a carbon footprint impact according to the GHG protocol (Greenhouse Gas Protocol), Scope 3, cradle to gate related to all individual components in the product category: "Play systems" represented by item no.: PCM200321-0950.

(Scope 3 emissions include emission sources in the upstream and downstream value chain).

Date: 30. October 2023 | Valid until: 30. October 2025

Verified by:

Julie Marie Vejsgaard Larsen, LCA & EPD Consultant

Verification based on report: Validation of CO₂ calculation of 9 categories of Kompan product line, version 1.0, prepared by: Bureau Veritas HSE, Denmark: Julie M. V. Larsen.

Publication date: 30. October 2023

By Bureau Veritas HSE
 www.bureauveritas.dk
 +45 7731 1000

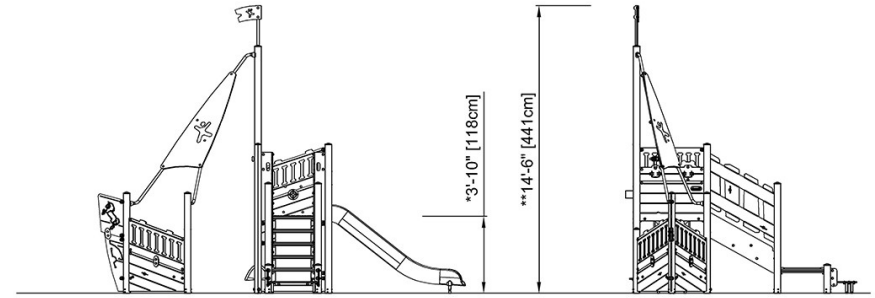
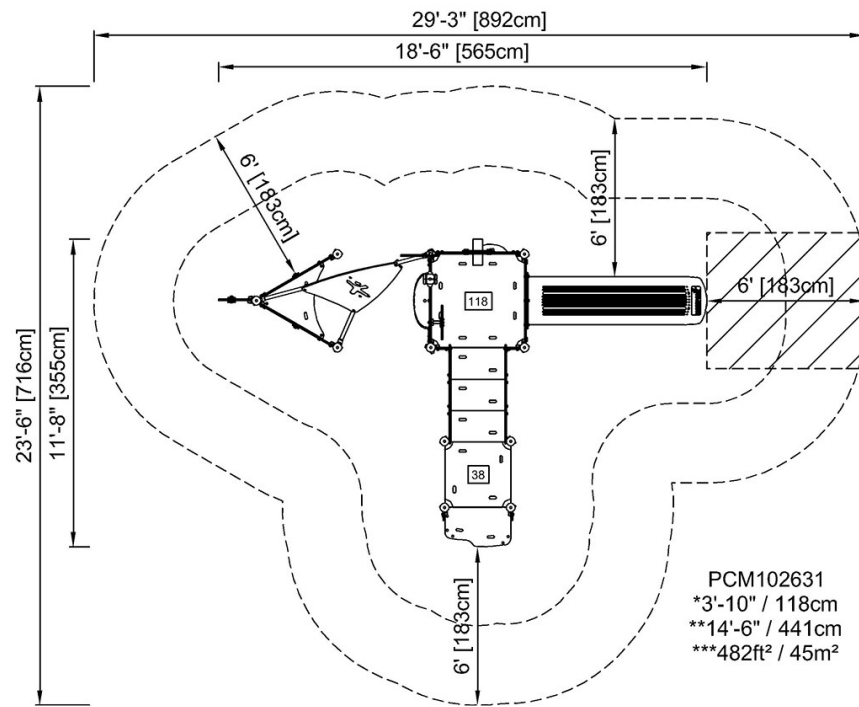


Caravelle with Stairs

PCM102631

* Max fall height | ** Total height | *** Safety surfacing area

* Max fall height | ** Total height



PCM102631

[Click to see TOP VIEW](#)

[Click to see SIDE VIEW](#)