

Play Tower with Fireman's Pole

KPL1013

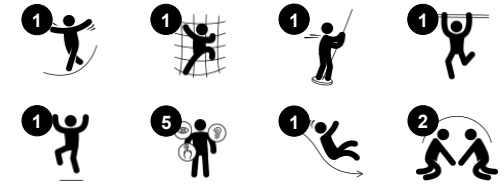
KOMPANI
Let's play



Item no. KPL101311-0901

General Product Information

Dimensions LxWxH	176x332x232 cm
Age group	2+
Play capacity (users)	5
Color options	



The Play Tower with Fireman's Pole is an active, colorful play unit which attracts toddlers to come and climb, slide and glide. This compact unit offers layers of play opportunities and attracts children again and again. The varied climbing access offers a challenging climb up to the platform. This trains muscles and cross-coordination. Cross-coordination is a

fundamental skill for later literacy. From the platform, there are two fun ways down to the ground, sliding or gliding. The fireman's pole trains the child's major muscles and gives them an understanding of space, which is fundamental for understanding mathematics. The slide trains the child's core stability and sense of balance. A play panel creates a

social-emotional retreat under the structure.



Play Tower with Fireman's Pole

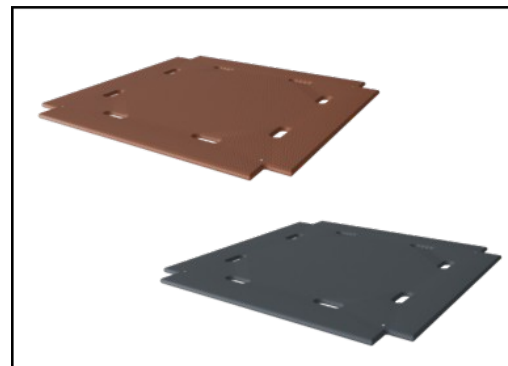
KPL1013



Panels of 19mm EcoCore™. EcoCore™ is a highly durable, eco friendly material, which is not only recyclable after use, but also consists of material produced from +95% recycled post consumer material from food packing waste.



The main tower posts of either pine wood or aluminium are all equipped with hot dip galvanised steel footings. The steel footings elevates the posts 20mm from ground level to avoid contact with surfacing material.

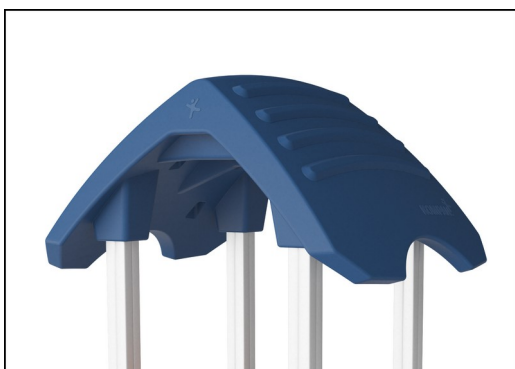


Floors and panel activities are available in two types of material: Waterproof plywood decks thickness 21.5mm from pine and alder wood with anti-slip film on both sides. High Pressure Laminate HPL thickness 17.8mm with slip resistant surface texture according to EN 438-6.

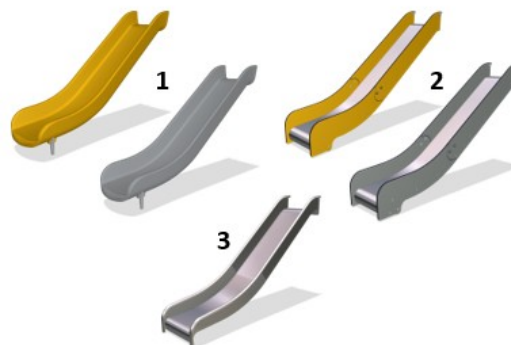
Item no. KPL101311-0901

Installation Information

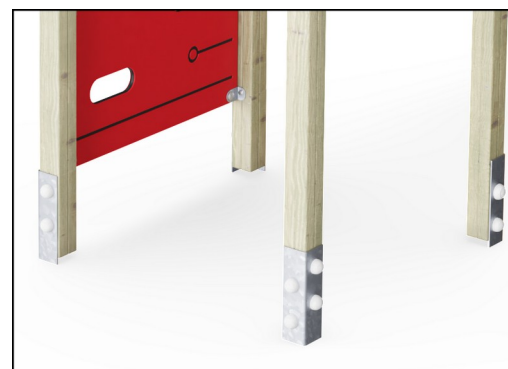
Max. fall height	118 cm
Safety surfacing area	22.7 m ²
Total installation time	8.5
Excavation volume	0.86 m ³
Concrete volume	0.00 m ³
Footing depth (standard)	90 cm
Shipment weight	188 kg
Anchoring options	In-ground ✓ Surface ✓



The large hollow components are made of 100% recyclable PE. The roof displayed is moulded in one piece with minimum 5,5mm wall thickness to ensure high durability in all climates around the world.



Slides are available in three different materials: moulded on piece PE slides, Combined EcoCore™ sides and stainless steel slide bed t=2mm. Full stainless steel AISI304 t=2mm.



The main posts are equipped with hot dip galvanised steel footings. The steel footings elevates the posts 20mm from ground level to avoid contact with surfacing material.



Sustainability Data

KPL1013



Cradle to Gate A1-A3	Total CO ₂ emission	CO ₂ e/kg	Recycled materials
	kg CO ₂ e	kg CO ₂ e/kg	%
KPL101311-0901	222.50	1.53	36.20

The overall framework applied for these factors is the Environmental Product Declaration (EPD), which quantifies "environmental information on the life cycle of a product and enable comparisons between products fulfilling the same function" (ISO, 2006). This follows the structure and applies a Life-Cycle Assessment approach to the entire Product stage from raw material through manufacturing (A1-A3))

Kompan A/S
 C.F. Tietgens Boulevard 32C
 DK-5220 Odense SØ
 Denmark



Verification of CO₂ calculation of: Play systems



Data version no. 2023-10-05

The CO₂ calculation and data are in compliance with the principles of a carbon footprint impact according to the GHG protocol (Greenhouse Gas Protocol), Scope 3, cradle to gate related to all individual components in the product category: "Play systems" represented by item no.: PCM200321-0950.

(Scope 3 emissions include emission sources in the upstream and downstream value chain).

Date: 30. October 2023 | Valid until: 30. October 2025

Verified by:

Julie Marie Vejsgaard Larsen, LCA & EPD Consultant

Verification based on report: Validation of CO₂ calculation of 9 categories of Kompan product line, version 1.0, prepared by: Bureau Veritas HSE, Denmark: Julie M. V. Larsen.

Publication date: 30. October 2023

By Bureau Veritas HSE
 www.bureauveritas.dk
 +45 7731 1000

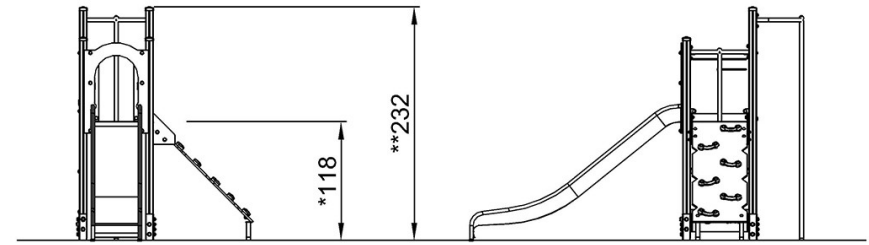
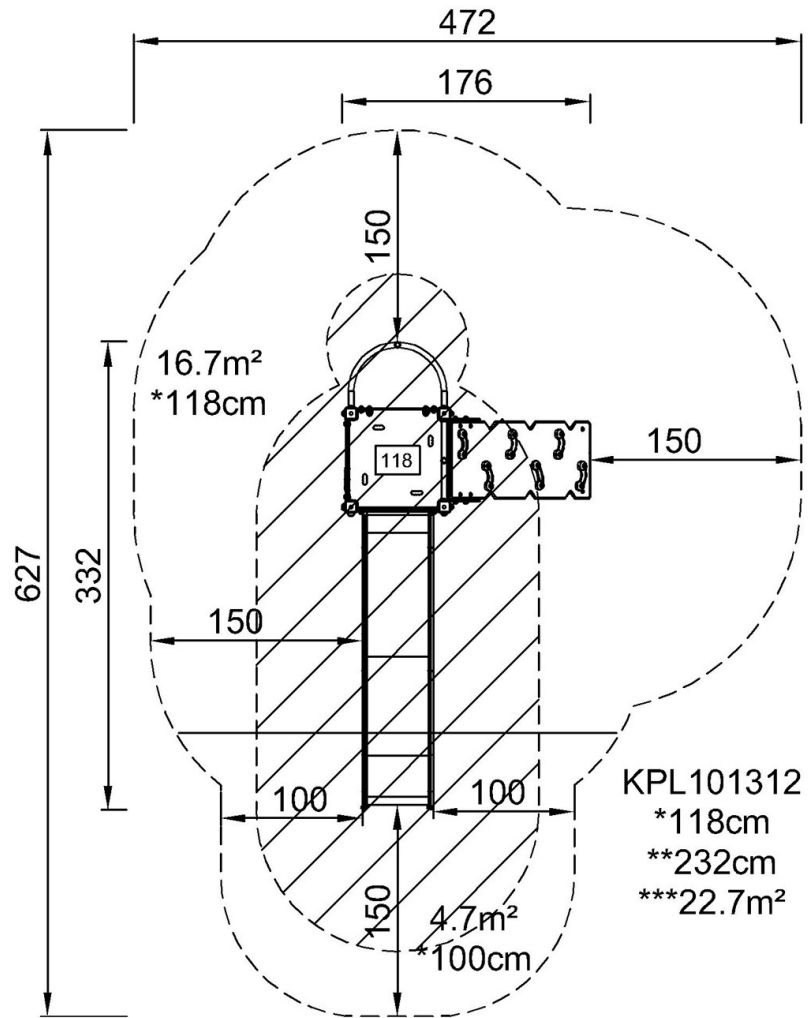


Play Tower with Fireman's Pole

KPL1013

* Max fall height | ** Total height | *** Safety surfacing area

* Max fall height | ** Total height



KPL101312

[Click to see TOP VIEW](#)

[Click to see SIDE VIEW](#)