

# Forest Cottage

NRO408



The Forest Cottage evokes the play urge in all children with its curved roof and a nice desk and bench inside. They will come back for more play again and again. The dramatic play scenarios of the house know no limits: there is room for continued role play that children will return to again and again. The desk and bench inside will stimulate breaks and function as

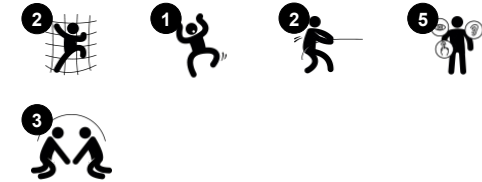
table, too. The stair and slope in and out the house makes varied accesses that stimulate both crawling and climbing. This trains cross-coordination, that is fundamental to the ability to e.g. read. When children do dramatic play, they play out an understanding of everyday scenarios, negotiating through their life observations. While doing so, they constantly

talk and communicate with their peers, thus hugely stimulating language skills and thinking skills.

Item no. NRO408-0621

## General Product Information

Dimensions LxWxH	262x189x292 cm
Age group	2+
Play capacity (users)	8
Color options	



# Forest Cottage

NRO408



## Slope

**Physical:** inclined crawling or walking up or down develops the sense of balance and cross coordination. **Social-Emotional:** the inclination makes climbing feel secure, especially for younger children.



## Stairs

**Physical:** cross coordination is used, supporting the cooperation of the left and right halves of the brain, which is necessary for reading. For young children, spatial awareness is trained when walking stairs.



## Window

**Social-Emotional:** invites interaction between sides and cooperative play.



## Supportive handholds

**Physical:** handhold provides good grip for less confident climbers. Pulling yourself up and in trains upper body muscles. **Social-Emotional:** allows for a range of physical abilities to enter independently and securely, supporting play for all.



## Theme

**Cognitive:** suggests a theme and supports dramatic play, which stimulates language and communication skills.



## Bench

**Social-Emotional:** invites socializing and cooperation. Allows for a break with friends.

# Forest Cottage

NRO408



All Organic Robinia products by KOMPAN are made of Robinia wood from sustainable European sources. On request it can be supplied as FSC® Certified (FSC® C004450).

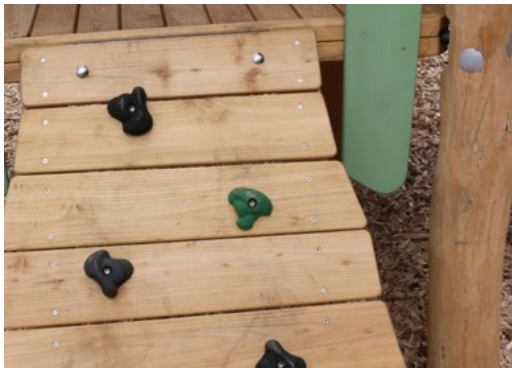


The paint used for coloured components is water based environmentally friendly with excellent UV resistance. The paint is in compliance with EN 71 Part 3.



The Robinia products are designed with a KOMPAN colour concept with a number of different standard colours. The wood can also be supplied as untreated or with brown painted with a pigment that maintains the wood colour.

Item no. NRO408-0621	
Installation Information	
Max. fall height	48 cm
Safety surfacing area	22.8 m <sup>2</sup>
Total installation time	13.7
Excavation volume	0.46 m <sup>3</sup>
Concrete volume	0.00 m <sup>3</sup>
Footing depth (standard)	60 cm
Shipment weight	843 kg
Anchoring options	In-ground ✓ Surface ✓
Warranty Information	
Hot dip galvanised steel	Lifetime
Robinia wood	15 years
Ropes & nets	10 years
Spare parts guaranteed	10 years



The product/activities are preassembled from the factory to ensure all safety requirements are considered.



The hardware is made of stainless steel or galvanised steel to ensure durable connections with a high corrosion resistance.



# Sustainability Data

NRO408



Cradle to Gate A1-A3	Total CO <sub>2</sub> emission	CO <sub>2</sub> e/kg	Recycled materials
	kg CO <sub>2</sub> e	kg CO <sub>2</sub> e/kg	%
<b>NRO408-0621</b>	168.66	0.26	2.14

The overall framework applied for these factors is the Environmental Product Declaration (EPD), which quantifies "environmental information on the life cycle of a product and enable comparisons between products fulfilling the same function" (ISO, 2006). This follows the structure and applies a Life-Cycle Assessment approach to the entire Product stage from raw material through manufacturing (A1-A3))

**Kompan A/S**  
 C.F. Tietgens Boulevard 32C  
 DK-5220 Odense SØ  
 Denmark



## Verification of CO<sub>2</sub> calculation of: Nature play



Data version no. 2023-10-05

The CO<sub>2</sub> calculation and data are in compliance with the principles of a carbon footprint impact according to the GHG protocol (Greenhouse Gas Protocol), Scope 3, cradle to gate related to all individual components in the product category: "Nature play" represented by item no.: NRO409-0621.

(Scope 3 emissions include emission sources in the upstream and downstream value chain).

**Date: 30. October 2023 | Valid until: 30. October 2025**

**Verified by:**

Julie Marie Vejsgaard Larsen, LCA & EPD Consultant

Verification based on report: Validation of CO<sub>2</sub> calculation of 9 categories of Kompan product line, version 1.0, prepared by: Bureau Veritas HSE, Denmark: Julie M. V. Larsen.

**Publication date: 30. October 2023**

**By Bureau Veritas HSE**  
 www.bureauveritas.dk  
 +45 7731 1000

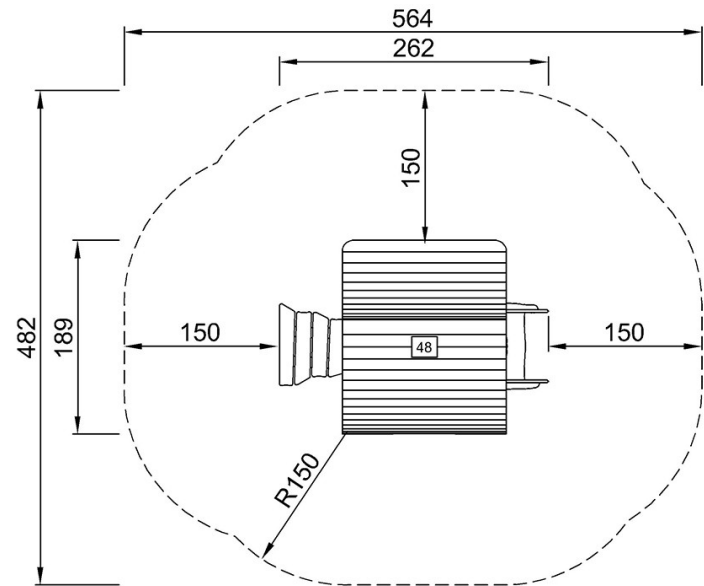


# Forest Cottage

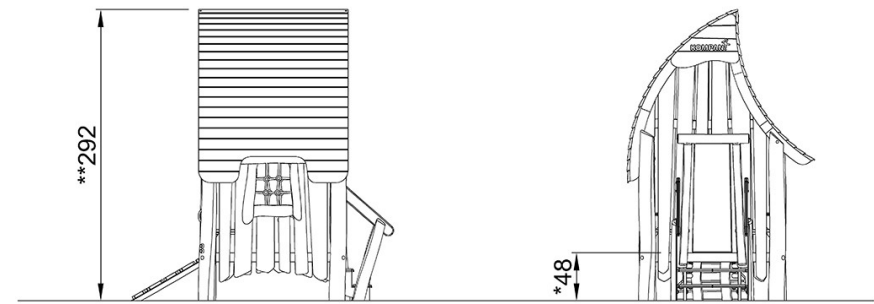
NRO408

\* Max fall height | \*\* Total height | \*\*\* Safety surfacing area

\* Max fall height | \*\* Total height



NRO408-xx21  
\* 48cm  
\*\* 292cm  
\*\*\* 22.8m<sup>2</sup>



NRO408

[Click to see TOP VIEW](#)

[Click to see SIDE VIEW](#)