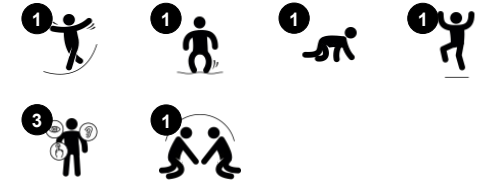


# Steep Slope

MSV606



|                                    |              |
|------------------------------------|--------------|
| Item no. MSV60600-0201             |              |
| <b>General Product Information</b> |              |
| Dimensions LxWxH                   | 120x56x51 cm |
| Age group                          | 1+           |
| Play capacity (users)              | 2            |
| Colour options                     |              |



The steep slope is a fantastic motivator for play that helps to build strength, balance and coordination for young children. In addition, this challenging structure will help the youngest children assess risk and enrich their cognitive skills in risk assessment and decision-making. The intentional design helps children to feel successful and competent, while also

supporting social skills such as turn-taking and decision-making. These skills are important overall health and well-being. Children can gain a wealth of skills through play on the steep slope, as they practice their balance and strengthen their muscles with friends, as they take turns and share in games that help them to enjoy success. The low slope will help to

extend playtimes for healthy development and great fun.



# Steep Slope

MSV606



## Bouncy slope

**Physical:** sense of balance and space are supported when moving up. Cross coordination can be developed when crawling over. Bone density is strengthened when jumping off.



## Handholds

**Physical:** gripping the handle to pull up your body trains hand-eye coordination and muscles.

# Steep Slope

MSV606



Seats of 19mm EcoCore™. EcoCore™ is a highly durable, eco-friendly material, which is not only recyclable after use, but is also made of +95% recycled post-consumer material from e.g., food packing waste in both core and colorful outer layer.



Membranes consist of friction-proof rubberized material of conveyor belt quality with excellent UV resistance. Embedded is a four-layered armouring made of woven polyester. The armouring and the two surface layers result in a total thickness of 9 mm.

Item no. MSV60600-0201

## Installation Information

|                          |                     |
|--------------------------|---------------------|
| Max. fall height         | 41 cm               |
| Safety surfacing area    | 12.8 m <sup>2</sup> |
| Total installation time  | 3.5                 |
| Excavation volume        | 0.00 m <sup>3</sup> |
| Concrete volume          | 0.00 m <sup>3</sup> |
| Footing depth (standard) | 0 cm                |
| Shipment weight          | 29 kg               |
| Anchoring options        | Surface ✓           |

## Warranty Information

|                        |          |
|------------------------|----------|
| EcoCore HDPE           | Lifetime |
| Membrane               | 2 years  |
| Spare parts guaranteed | 10 years |



# Sustainability Data

MSV606



| Cradle to Gate A1-A3 | Total CO <sub>2</sub> emission | CO <sub>2</sub> e/kg    | Recycled materials |
|----------------------|--------------------------------|-------------------------|--------------------|
|                      | kg CO <sub>2</sub> e           | kg CO <sub>2</sub> e/kg | %                  |
| <b>MSV60600-0201</b> | 41.07                          | 1.42                    | 67.52              |

The overall framework applied for these factors is the Environmental Product Declaration (EPD), which quantifies "environmental information on the life cycle of a product and enable comparisons between products fulfilling the same function" (ISO, 2006). This follows the structure and applies a Life-Cycle Assessment approach to the entire Product stage from raw material through manufacturing (A1-A3))

**Kompan A/S**  
 C.F. Tietgens Boulevard 32C  
 DK-5220 Odense SØ  
 Denmark



## Verification of CO<sub>2</sub> calculation of: Themed play systems



Data version no. 2023-10-05

The CO<sub>2</sub> calculation and data are in compliance with the principles of a carbon footprint impact according to the GHG protocol (Greenhouse Gas Protocol), Scope 3, cradle to gate related to all individual components in the product category: "Themed play systems" represented by item no.: MSC641100-3717P.

(Scope 3 emissions include emission sources in the upstream and downstream value chain).

**Date: 30. October 2023 | Valid until: 30. October 2025**

Verified by:

Julie Marie Vejsgaard Larsen, LCA & EPD Consultant

Verification based on report: Validation of CO<sub>2</sub> calculation of 9 categories of Kompan product line, version 1.0, prepared by: Bureau Veritas HSE, Denmark: Julie M. V. Larsen.

**Publication date: 30. October 2023**

By Bureau Veritas HSE  
 www.bureauveritas.dk  
 +45 7731 1000

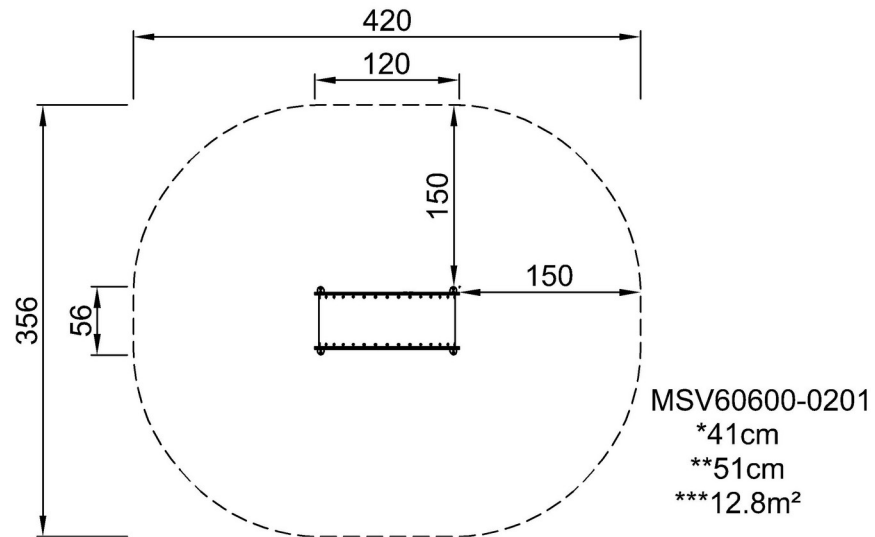


# Steep Slope

MSV606

\* Max fall height | \*\* Total height | \*\*\* Safety surfacing area

\* Max fall height | \*\* Total height



[Click to see TOP VIEW](#)

[Click to see SIDE VIEW](#)