



# You & Me Seat H:3.0m

SW990122



Item no. SW990122-00	
<b>General Product Information</b>	
Dimensions LxWxH	61x93x0 cm
Age group	1+
Play capacity (users)	2
Color options	 



With its whimsical look and easy-entry seat the You&Me swing invites a try. When having tried it once, parents and toddlers will come back again and again: the height of the seats is such that adult and child can be at eye level when swinging. Thus the first swing rides become a secure, yet thrilling and new experience for the toddler. To toddlers, the gently swinging

movement is a source of endless joy. But apart from that it also trains the development for important sensory-motor skills such as the sense of balance and space. This is important to build up the ability to gradually manage space independently, yet securely. The child-adult connection in play is important for the child-parent bonding through social activities.

But it is equally valuable for the child's growing independence in play. Last, but not least, it is immensely joyful.



*Data is subject to change without prior notice.*

# You & Me Seat H:3.0m

SW990122



KOMPAN heavy duty designed swing hangers of stainless steel with anti-twist function. The hangers are attached to the cross beam on a welded bracket with two bolts, The bearings are embedded with silicone lubricant and needs no further lubrication.



The You & Me Swing seat is fitted with 6mm stainless steel chains.



The frame is powder coated inside & outside hot-dip galvanised steel and the bumper on the back side of frame is made of PUR.

Item no. SW990122-00

## Installation Information

Max. fall height	0 cm
Safety surfacing area	15.5 m <sup>2</sup>
Total installation time	0.3
Excavation volume	0.00 m <sup>3</sup>
Concrete volume	0.00 m <sup>3</sup>
Footing depth (standard)	0 cm
Shipment weight	25 kg
Anchoring options	



The You&Me swing seat can be installed in Kompan A-Frame, Robinia Frame and Portal swing systems for the heights 2.5 and 3.0. The swing seat is not applicable for 2.0.



All soft seat materials are UV and ozone protected to the maximum within the frames of the strongest environmental demands.



The baby seat is made of black TPV (Santoprene) and the design has large leg holes for easy placement of baby/toddler.

**EN**  
**1176**  
compliant

# Sustainability Data

SW990122



Cradle to Gate A1-A3	Total CO <sub>2</sub> emission	CO <sub>2</sub> e/kg	Recycled materials
	kg CO <sub>2</sub> e	kg CO <sub>2</sub> e/kg	%
SW990122-00	51.10	3.30	35.80

The overall framework applied for these factors is the Environmental Product Declaration (EPD), which quantifies "environmental information on the life cycle of a product and enable comparisons between products fulfilling the same function" (ISO, 2006). This follows the structure and applies a Life-Cycle Assessment approach to the entire Product stage from raw material through manufacturing (A1-A3))

**Kompan A/S**  
 C.F. Tietgens Boulevard 32C  
 DK-5220 Odense SØ  
 Denmark



## Verification of CO<sub>2</sub> calculation of: Freestanding play equipment



Data version no. 2023-10-05

The CO<sub>2</sub> calculation and data are in compliance with the principles of a carbon footprint impact according to the GHG protocol (Greenhouse Gas Protocol), Scope 3, cradle to gate related to all individual components in the product category: "Freestanding play equipment" represented by item no.: KSW92011-0910.

(Scope 3 emissions include emission sources in the upstream and downstream value chain).

**Date: 30. October 2023 | Valid until: 30. October 2025**

Verified by:

Julie Marie Vejsgaard Larsen, LCA & EPD Consultant

Verification based on report: Validation of CO<sub>2</sub> calculation of 9 categories of Kompan product line, version 1.0, prepared by: Bureau Veritas HSE, Denmark: Julie M. V. Larsen.

**Publication date: 30. October 2023**

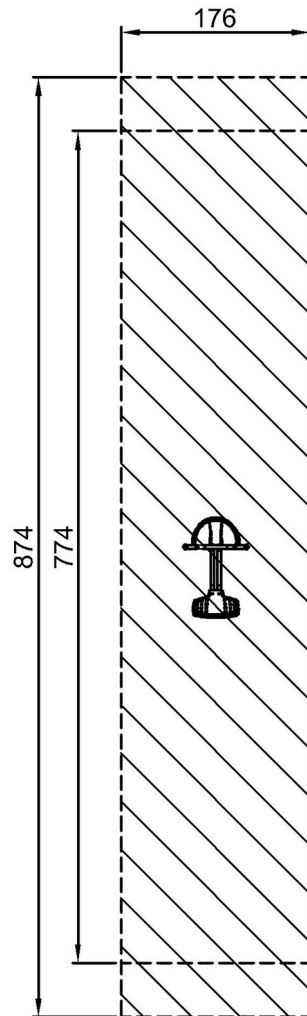
By Bureau Veritas HSE  
 www.bureauveritas.dk  
 +45 7731 1000



# You & Me Seat H:3.0m

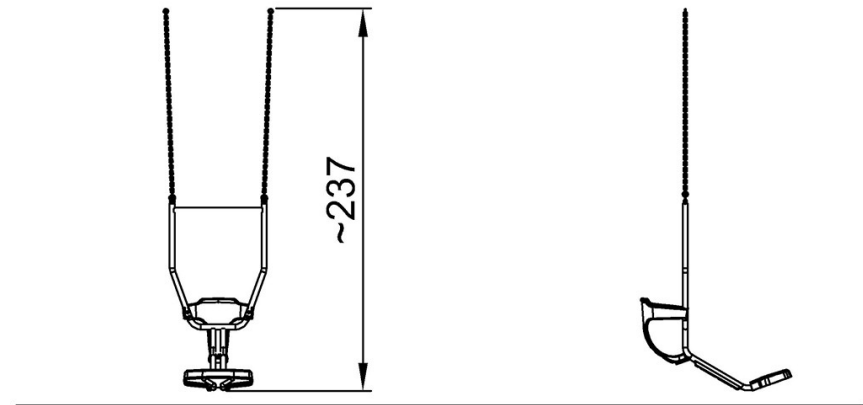
SW990122

\* Max fall height | \*\* Total height | \*\*\* Safety surfacing area



[Click to see TOP VIEW](#)

\* Max fall height | \*\* Total height



SW990122  
1:100

[Click to see SIDE VIEW](#)