

# Orient Express

M241



Item no. M24170-3218P

## General Product Information

Dimensions LxWxH	4'0"x2'4"x3'1"
Age group	2 - 5
Play capacity (users)	4
Color options	●



Wow! Children will delight in a ride on the Orient Express. This playful unit supports social-emotional and physical skills for young children. The intentional design encourages children to stay and play, which provides great fun and developmental benefits. In addition to being a place to sit alone or with friends, the Orient Express spurs stories about train rides,

supporting language skills. Sitting with friends stimulates social-emotional development, and friendship skills. The small holes invite exploration and provide children with opportunities to play peek-a-boo and other games. Young children will also enjoy moving around the train, and for younger children, pulling themselves up to stand will support

physical development.



# Orient Express

M241



## Theme

**Cognitive:** suggests a theme and supports dramatic play, which stimulates language and communication skills.



## Bench

**Social-Emotional:** gathering, cooperating or taking a break from play all train social skills.

# Orient Express

M241



Panels of 19mm EcoCore™. EcoCore™ is a highly durable, eco friendly material, which is not only recyclable after use, but also consists of a core produced from 100% recycled material.

The seating area is made of HPL with a thickness 17.8 mm. KOMPAN HPL has high wearing strength to ensure long lifetime in all climates.

Item no. M24170-3218P	
Installation Information	
Max. fall height	0'0"
Safety surfacing area	0ft²
Total installation time	3.6
Excavation volume	0.17yd³
Concrete volume	0yd³
Footing depth (standard)	1'1"
Shipment weight	211lbs
Anchoring options	In-ground ✓ Surface ✓
Warranty Information	
EcoCore HDPE	Lifetime
HPL seat	15 Years
Spare Parts Availability	10 Years

Elevated activities 0	Accessible elevated activities	Accessible ground level activities	Accessible ground level play types
Present	0	1	1
Required	0	1	1

**ASTM  
F1487**  
compliant

# Sustainability Data

M241

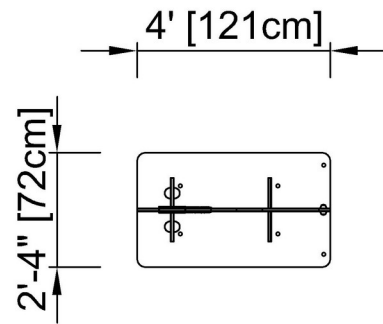


<b>Cradle to Gate A1-A3</b>	<b>Total CO<sub>2</sub> emission</b>	<b>CO<sub>2</sub>e/kg</b>	<b>Recycled materials</b>
	kg CO <sub>2</sub> e	kg CO <sub>2</sub> e/kg	%
<b>M24170-3218P</b>	93.77	1.66	48.81

The overall framework applied for these factors is the Environmental Product Declaration (EPD), which quantifies "environmental information on the life cycle of a product and enable comparisons between products fulfilling the same function" (ISO, 2006). This follows the structure and applies a Life-Cycle Assessment approach to the entire Product stage from raw material through manufacturing (A1-A3))

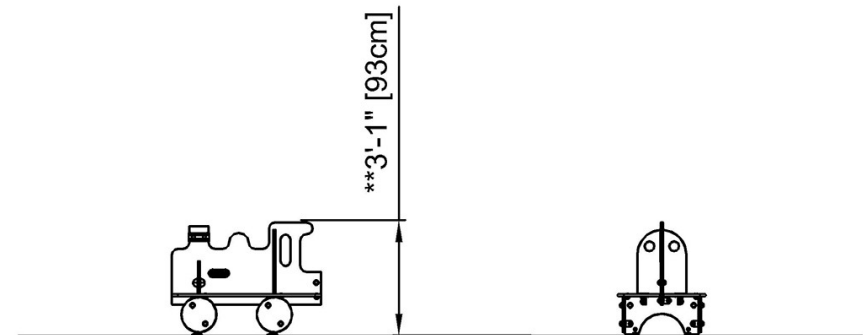
\* Max fall height | \*\* Total height | \*\*\* Safety surfacing area

\* Max fall height | \*\* Total height



M24170P-xx18

\*\* 3'-1" / 93cm



M24170P  
1:100

[Click to see TOP VIEW](#)

[Click to see SIDE VIEW](#)