

# Petrol Station with 2 Pumps

NRO513

**KOMPAN**  
Let's play



This petrol station with two pumps is great for any tricycle track. It will appeal to role play around the themes of driving and traffic, which is always a great imaginative support for the child. This will add attraction and play time. The petrol station is made in rope, and the handle as this will appeal to role play around the themes of driving and traffic. These are hugely

popular and will attract children for hours of dramatic play, again and again. The pumps are elaborate with rubber tube and the red, green and yellow buttons for choosing the right octane strength. All in all the variety of materials stimulates the fine motor skills and tactile sense, especially for the youngest players. The dramatic play around traffic and

gas stations stimulates the child's language development in evoking storytelling and imagination.

产品编号 NRO513-1021	
产品信息概览	
长宽高尺寸	200x81x221 cm
适用年龄段	2+
容纳人数	2
颜色选择	



# Petrol Station with 2 Pumps

NRO513



## 游戏主题

**认知能力：**鼓励戏剧游戏，刺激儿童语言和交流能力的发展。



## Two pumps

**社交情感：**the two pumps invite cooperation and co-creation, on both sides and between the two sides. The transparency makes interaction possible between the two sides.



## Fuel handle

**社交情感：**在为朋友的车辆加油时，可以增强合作技巧和轮流参与的能力。**认知能力：**dramatic play stimulates language development.

# Petrol Station with 2 Pumps

NRO513

**KOMPAN**  
Let's play



KOMPAN 的所有有机刺槐产品均由 刺槐木材制成，来自欧洲的可持续环保木材。可根据要求提供 FSC® Certified (FSC® C004450)



用于彩色组分的涂料是水基环保型涂料，具有出色的抗紫外线性能。涂料符合 EN 71 第 3 部分的规定。



绳索由防紫外线的 PA 制成，并带有内部钢缆增强件。钢丝绳经过感应处理，以在钢丝绳和钢丝绳之间建立牢固的连接，从而导致良好的耐磨性。

产品编号 NRO513-1021

## 安装信息

最大跌落高度	0 cm
安全面积	10.1 m <sup>2</sup>
安装总时长	4.2
开挖量	0.40 m <sup>3</sup>
混凝土使用量	0.00 m <sup>3</sup>
标准入地深度	100 cm
运输重量	272 kg
固定选项	入地 ✓

## 质保信息

Robinia 木材	15 年
承保零部件	10 年
不锈钢零件	终身质保



刺槐产品有三种不同的木材处理选项：未经处理的刺槐木或棕褐色涂有颜料的颜料，可保持木材的颜色，并使用选定成分的涂料着色。



# Sustainability Data

NRO513



## 从原材料到成品

CO<sub>2</sub> 排放总量

kg CO<sub>2</sub>e

CO<sub>2</sub> 排放量 / 千克

kg CO<sub>2</sub>e/kg

回收的原料

%

NRO513-1021

40.58

0.18

1.08

这些因素采用的总体框架为环保产品声明 (EPD), 该声明可量化“产品生命周期的环保信息, 并对相同功能的产品进行对比”(ISO, 2006)。在遵循该框架的同时, 对从原材料到制造的整个产品阶段 (A1-A3) 应用生命周期评估法。

### Kompan A/S

C.F. Tietgens Boulevard 32C  
DK-5220 Odense SØ  
Denmark



### Verification of CO<sub>2</sub> calculation of: Nature play



Data version no. 2023-10-05

The CO<sub>2</sub> calculation and data are in compliance with the principles of a carbon footprint impact according to the GHG protocol (Greenhouse Gas Protocol), Scope 3, cradle to gate related to all individual components in the product category: "Nature play" represented by item no.: NRO409-0621.

(Scope 3 emissions include emission sources in the upstream and downstream value chain).

**Date: 30. October 2023 | Valid until: 30. October 2025**

Verified by:

Julie Marie Vejsgaard Larsen, LCA & EPD Consultant

Verification based on report: Validation of CO<sub>2</sub> calculation of 9 categories of Kompan product line, version 1.0, prepared by: Bureau Veritas HSE, Denmark: Julie M. V. Larsen.

**Publication date: 30. October 2023**

By Bureau Veritas HSE  
www.bureauveritas.dk  
+45 7731 1000

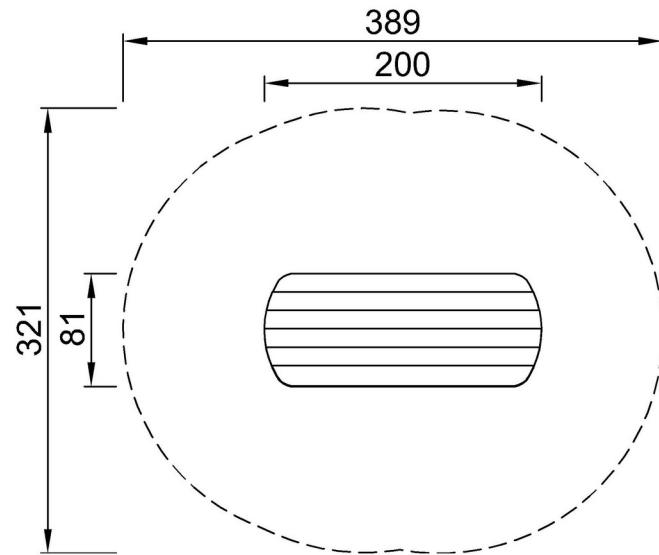


# Petrol Station with 2 Pumps

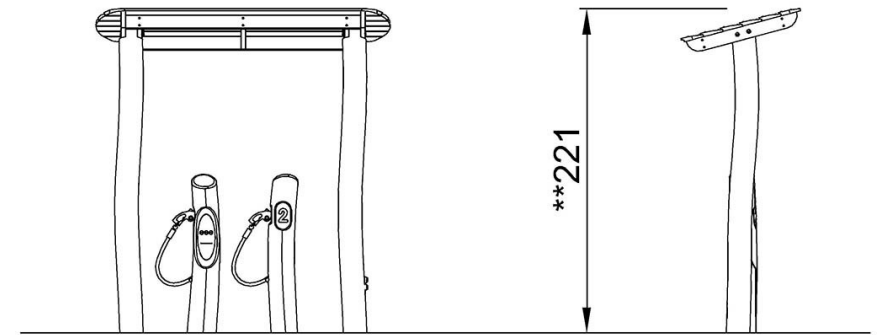
NRO513

最大跌落高度 | 总高度 | 安全区域

最大跌落高度 | 总高度



NRO513  
\*\*221cm  
\*\*\*10.1m<sup>2</sup>



NRO513

[点击查看俯视图](#)

[点击查看侧面图](#)