

Double Sandworks with Facade

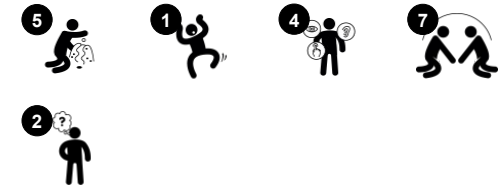
MSC541803



Item no. MSC541803-3417P

General Product Information

Dimensions LxWxH	5'11"x8'2"x4'4"
Age group	6m - 4
Play capacity (users)	16
Color options	



Wow! This super Double Sandowrk with Facade will inspire children to play for long periods of time. They will enjoy many opportunities to manipulate the sand and play side by side or along with others when they are ready. Sand and water play is serious play for young children, who benefit greatly from opportunities to experiment with the properties

of natural materials with their fingers, hands, and arms. This play gives important input to the senses and strengthens motor planning as well as fine motor skills. The double sandpit has ample room for many young children to play. The manipulatable objects and the window space enhance the play experiences. This structure is not only attractive but has many

benefits for young children who stay, play, and develop.

Double Sandworks with Facade

MSC541803



Theme

Cognitive: suggests a theme and supports dramatic play, which stimulates language and communication skills.



Sandpit

Cognitive: sand play trains the sense of touch and helps children to understand the characteristics of different materials and their uses. Sand can be sieved when dry and shaped when wet.



Desk with sieve

Social-Emotional: children can gather and store materials, cooperate and take a break together. **Creative:** sand can be shifted through the sieve, for understanding of cause and effect and object permanence.



Funnel

Social-Emotional: trains cooperation and turn-taking as children put materials into the funnel. **Cognitive:** the passing of materials through funnels supports the children's logical thinking and for younger children the understanding of object permanence: that materials don't vanish but run through at the other end.



Sand scoop

Cognitive: logical thinking: cause and effect understanding when running scoops in grooves. **Creative:** leave a mark and place the scoop at different positions. Creates sounds when the scoop runs through groove.



Bench

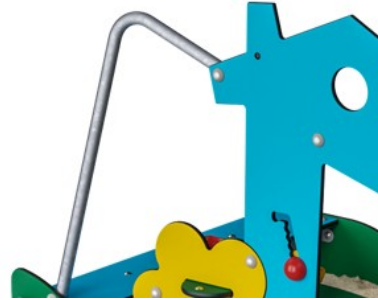
Social-Emotional: gathering, cooperating or taking a break from play all train social skills.

Double Sandworks with Facade

MSC541803



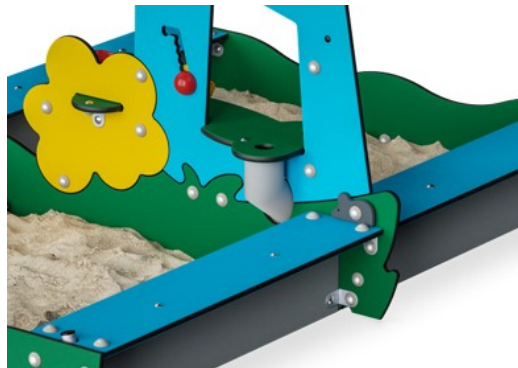
Panels of 19mm EcoCore™. EcoCore™ is a highly durable, eco friendly material, which is not only recyclable after use, but also consists of a core produced from 100% recycled material.



The steel surfaces are hot-dip galvanized inside and outside with lead-free zinc. The galvanization has excellent corrosion resistance in outside environments and requires minimal maintenance.



Play activities like the Funnel are made of injection molded high quality nylon (PA6). PA6 has good wearing and impact strength and is UV stabilized.



Sand pipe is made from rotomolded PE. PE has high impact resistance across a wide temperature span which ensures durability.



Play spheres are made of PP. PP has good wearing and impact resistance.



Sand strainer is made of high-quality stainless steel to ensure durability of the product.

Item no. MSC541803-3417P	
Installation Information	
Max. fall height	0'0"
Safety surfacing area	0ft²
Total installation time	9.1
Excavation volume	0.52yd³
Concrete volume	0yd³
Footing depth (standard)	2'0"
Shipment weight	475lbs
Anchoring options	In-ground ✓ Surface ✓
Warranty Information	
EcoCore HDPE	Lifetime
Hot dip galvanized steel	Lifetime
Movable parts	2 Years
Spare Parts Availability	10 Years

Elevated activities	Accessible elevated activities	Accessible ground level activities	Accessible ground level play types
Present	0	1	1
Required	0	1	1



Sustainability Data

MSC541803



Cradle to Gate A1-A3	Total CO ₂ emission	CO ₂ e/kg	Recycled materials
	kg CO ₂ e	kg CO ₂ e/kg	%
MSC541803-3417P	186.07	1.50	78.58

The overall framework applied for these factors is the Environmental Product Declaration (EPD), which quantifies "environmental information on the life cycle of a product and enable comparisons between products fulfilling the same function" (ISO, 2006). This follows the structure and applies a Life-Cycle Assessment approach to the entire Product stage from raw material through manufacturing (A1-A3))

Kompan A/S
 C.F. Tietgens Boulevard 32C
 DK-5220 Odense SØ
 Denmark



Verification of CO₂ calculation of: Themed play systems



Data version no. 2023-10-05

The CO₂ calculation and data are in compliance with the principles of a carbon footprint impact according to the GHG protocol (Greenhouse Gas Protocol), Scope 3, cradle to gate related to all individual components in the product category: "Themed play systems" represented by item no.: MSC641100-3717P.

(Scope 3 emissions include emission sources in the upstream and downstream value chain).

Date: 30. October 2023 | Valid until: 30. October 2025

Verified by:

Julie Marie Vejsgaard Larsen, LCA & EPD Consultant

Verification based on report: Validation of CO₂ calculation of 9 categories of Kompan product line, version 1.0, prepared by: Bureau Veritas HSE, Denmark: Julie M. V. Larsen.

Publication date: 30. October 2023

By Bureau Veritas HSE
 www.bureauveritas.dk
 +45 7731 1000

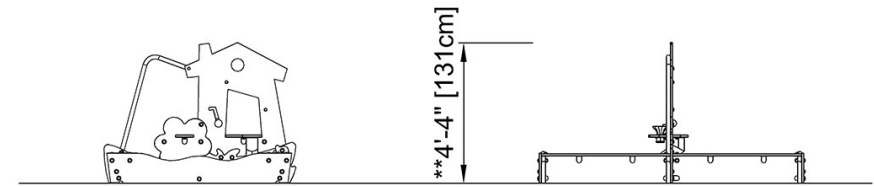
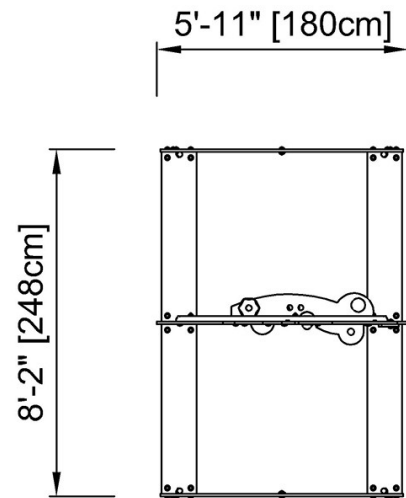


Double Sandworks with Facade

MSC541803

* Max fall height | ** Total height | *** Safety surfacing area

* Max fall height | ** Total height



MSC541803P

MSC541803P
**4'-4" / 131cm

[Click to see TOP VIEW](#)

[Click to see SIDE VIEW](#)