

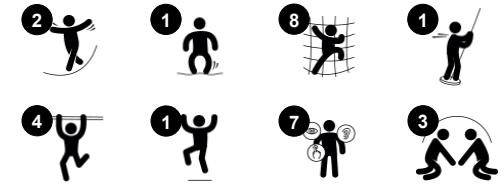


Spida

COR20100



Item no. COR201001-1001	
General Product Information	
Dimensions LxWxH	346x273x290 cm
Age group	3+
Play capacity (users)	12
Color options	 



The simple and intelligent design of the Spida inspires children to climb, stretch, imagine, and play with the varied entry points, graduated challenge and the many levels of play. There are different ways to use the Spida, the side bars offer an option of entry and egress, and the responsive ropes offer variation and challenge for the more experienced climbers,

these are important aspects of play that support cognitive skills such as decision making and self regulation, as well as physical skills in agility, balance, and coordination. Opportunities to jump to the ground from the lower surfaces also help to build bone density, essential for physical health.

Spida

COR20100



Fireman's pole

Physical: coordination is supported when going down, as well as arm and core muscles. Landing strengthens bone density, which is built for life in early childhood. **Social-Emotional:** turn-taking and risk-taking. **Cognitive:** young children develop their understanding of space, speed and distances when gliding down fast.



Horizontal membrane platform

Physical: wobbly platform trains the sense of balance. **Social-Emotional:** a bouncy point for socializing and meeting.



Climbing pole with climbing aids

Physical: cross coordination and major muscle groups trained when clinging onto pole, climbing upwards or downwards. **Social-Emotional:** turn-taking skills used when considering other players going up or down.



Wide inclined net with discs

Physical: balance and coordination when climbing the inclined, swaying net or standing on the discs. **Social-Emotional:** socializing, sharing when seated on the swaying discs.



Boarding net

Physical: the inclined net supports the upward climbing movement of the body. Cross coordination and physical strength are trained. The asymmetry of the net challenges the children's climbing.

Spida

COR20100



Corocord 16mm ropes of UV-stabilized PES rope strands with inner steel cable reinforcement. The polyester yarn is made from +95% post-consumer materials and is inductively melted onto each strand. The ropes are highly wear-and vandalism-resistant and can be replaced at site if needed.



Corocord 'S' clamps are used as universal connections in Corocord products. 8mm stainless steel rods with rounded edges are pressed around the ropes with a special hydraulic press, making them the ideal connector: safe, durable and vandalism-proof, all while allowing the typical movement of rope play structures.



Fully coloured EPDM rubber discs with smooth surface. The moulded EPDM surrounds a hot dip galvanised steel core that ensures both the stability of the discs and durable fixation to the rope.

Item no. COR201001-1001	
Installation Information	
Max. fall height	170 cm
Safety surfacing area	32.4 m ²
Total installation time	5.7
Excavation volume	1.77 m ³
Concrete volume	0.98 m ³
Footing depth (standard)	100 cm
Shipment weight	169 kg
Anchoring options	In-ground ✓
Warranty Information	
Aluminium clamps	10 years
Corocord rope	10 years
Membrane	2 years
S-Clamps	10 years
Spare parts guaranteed	10 years



Corocord membranes consist of friction-proof rubberized material of conveyor belt quality with excellent UV resistance. Tested and compliant with REACH requirements for PAH. Embedded is a four-layered armoring made of woven polyester. The armoring and the two surface layers result in a total thickness of 7.5 mm.



The steel arches are hot dip galvanised inside and outside with lead free zinc. The galvanisation has excellent corrosion resistance in outside environments and requires low maintenance.

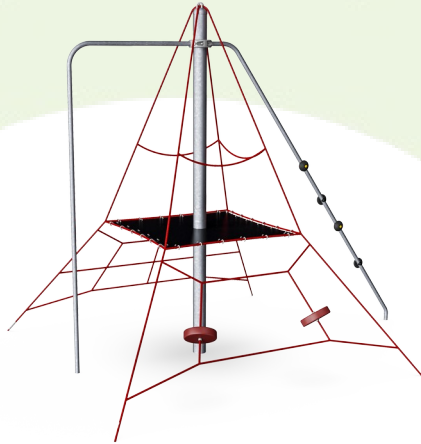


Corocord aluminium clamps are used as connectors between steel posts and rope. Two aluminium castings are bolted together. The height of the clamps is thus variable.



Sustainability Data

COR20100



Cradle to Gate A1-A3	Total CO ₂ emission	CO ₂ e/kg	Recycled materials
	kg CO ₂ e	kg CO ₂ e/kg	%
COR201001-1001	411.81	3.26	41.80

The overall framework applied for these factors is the Environmental Product Declaration (EPD), which quantifies "environmental information on the life cycle of a product and enable comparisons between products fulfilling the same function" (ISO, 2006). This follows the structure and applies a Life-Cycle Assessment approach to the entire Product stage from raw material through manufacturing (A1-A3))

Kompan A/S
 C.F. Tietgens Boulevard 32C
 DK-5220 Odense SØ
 Denmark



Verification of CO₂ calculation of: Corocord



Data version no. 2023-10-05

The CO₂ calculation and data are in compliance with the principles of a carbon footprint impact according to the GHG protocol (Greenhouse Gas Protocol), Scope 3, cradle to gate related to all individual components in the product category: "Corocord" represented by item no.: COR314011-1101.

(Scope 3 emissions include emission sources in the upstream and downstream value chain).

Date: 30. October 2023 | Valid until: 30. October 2025

Verified by:

Julie Marie Vejsgaard Larsen, LCA & EPD Consultant

Verification based on report: Validation of CO₂ calculation of 9 categories of Kompan product line, version 1.0, prepared by: Bureau Veritas HSE, Denmark: Julie M. V. Larsen.

Publication date: 30. October 2023

By Bureau Veritas HSE
 www.bureauveritas.dk
 +45 7731 1000

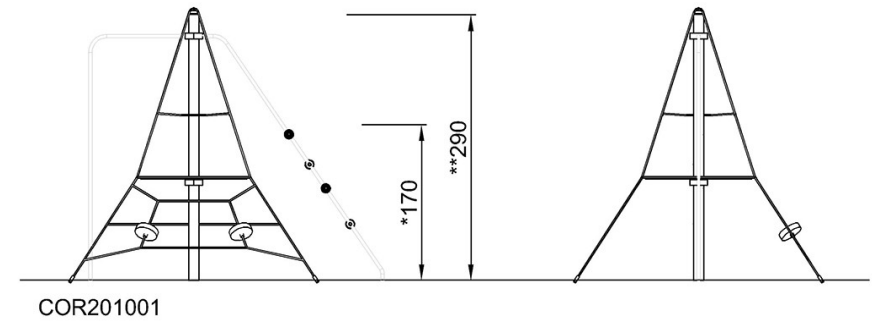
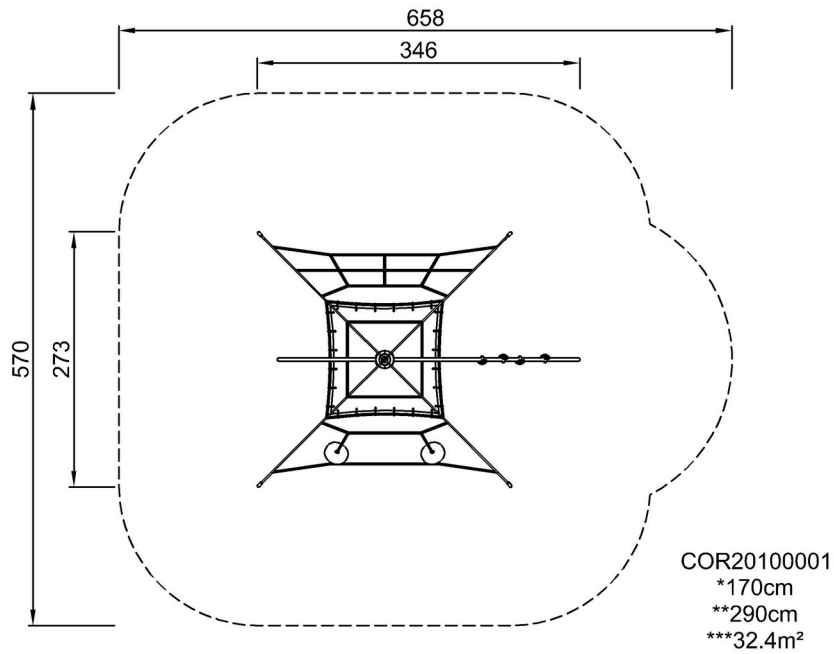


Spida

COR20100

* Max fall height | ** Total height | *** Safety surfacing area

* Max fall height | ** Total height



[Click to see TOP VIEW](#)

[Click to see SIDE VIEW](#)