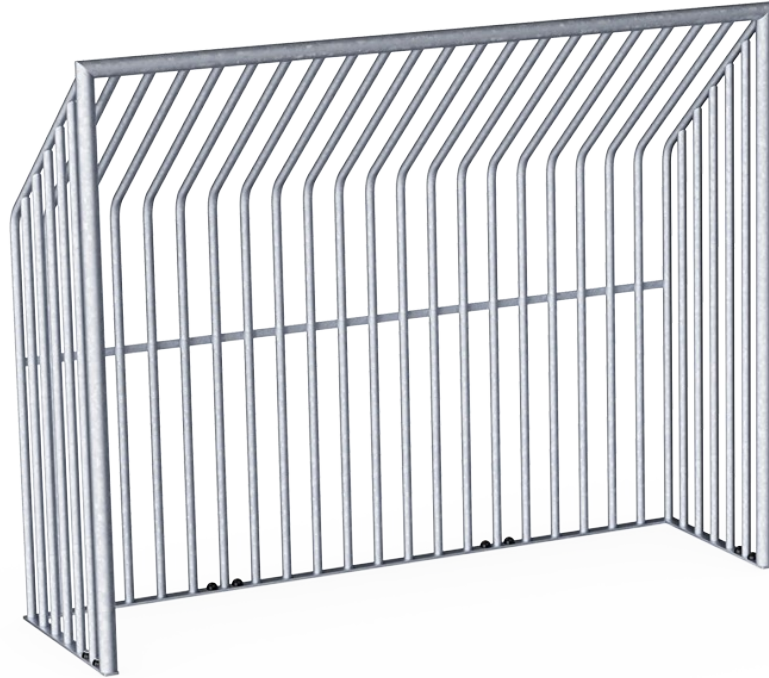


# Goal

FRE3050



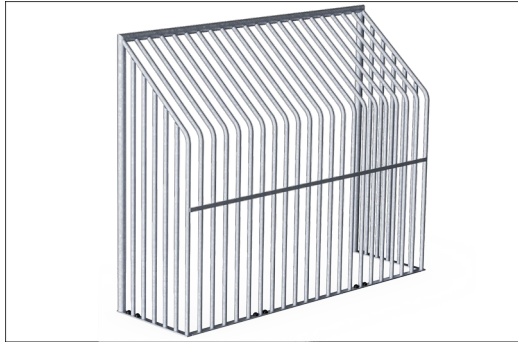
The stand along Goal offers a target for all kinds of games in a public setting.

Item no. FRE3050-3517	
<b>General Product Information</b>	
Dimensions LxWxH	8'3"x2'6"x6'7"
Age group	3+
Play capacity (users)	-
Color options	●



# Goal

FRE3050

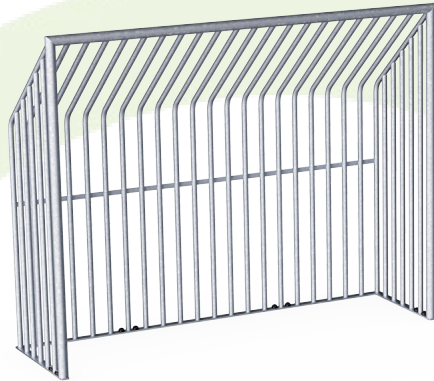


All steel components are manufactured from carbon steel, welding's according EN ISO 5817 & Hot dip galvanised (HDG) according to ISO1461. This process ensures good protection in all circumstances.

Item no. FRE3050-3517	
<b>Installation Information</b>	
Max. fall height	0'0"
Safety surfacing area	0ft <sup>2</sup>
Total installation time	1.3
Excavation volume	0.33yd <sup>3</sup>
Concrete volume	0yd <sup>3</sup>
Footing depth (standard)	2'3"
Shipment weight	459lbs
Anchoring options	In-ground ✓ Surface ✓
<b>Warranty Information</b>	
HDG post	Lifetime
Spare Parts Availability	10 Years

# Sustainability Data

FRE3050



Cradle to Gate A1-A3	Total CO <sub>2</sub> emission	CO <sub>2</sub> e/kg	Recycled materials
	kg CO <sub>2</sub> e	kg CO <sub>2</sub> e/kg	%
<b>FRE3050-3517</b>	531.02	2.59	49.92

The overall framework applied for these factors is the Environmental Product Declaration (EPD), which quantifies "environmental information on the life cycle of a product and enable comparisons between products fulfilling the same function" (ISO, 2006). This follows the structure and applies a Life-Cycle Assessment approach to the entire Product stage from raw material through manufacturing (A1-A3))

**Kompan A/S**  
 C.F. Tietgens Boulevard 32C  
 DK-5220 Odense SØ  
 Denmark



## Verification of CO<sub>2</sub> calculation of: Sport



Data version no. 2023-10-05

The CO<sub>2</sub> calculation and data are in compliance with the principles of a carbon footprint impact according to the GHG protocol (Greenhouse Gas Protocol), Scope 3, cradle to gate related to all individual components in the product category: "Sport" represented by item no.: FRE600202-0901.

(Scope 3 emissions include emission sources in the upstream and downstream value chain).

**Date: 30. October 2023 | Valid until: 30. October 2025**

**Verified by:**

Julie Marie Vejsgaard Larsen, LCA & EPD Consultant

Verification based on report: Validation of CO<sub>2</sub> calculation of 9 categories of Kompan product line, version 1.0, prepared by: Bureau Veritas HSE, Denmark: Julie M. V. Larsen.

**Publication date: 30. October 2023**

**By Bureau Veritas HSE**  
 www.bureauveritas.dk  
 +45 7731 1000

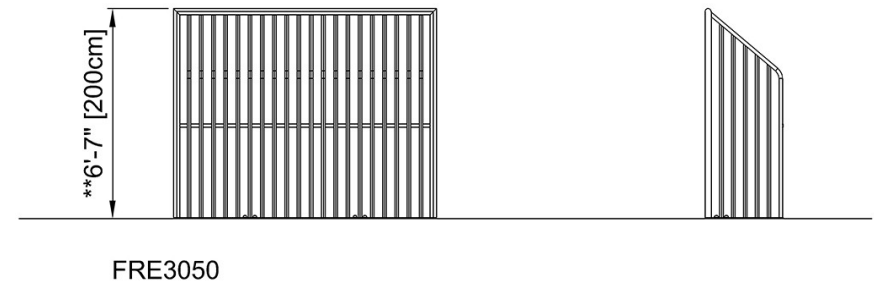
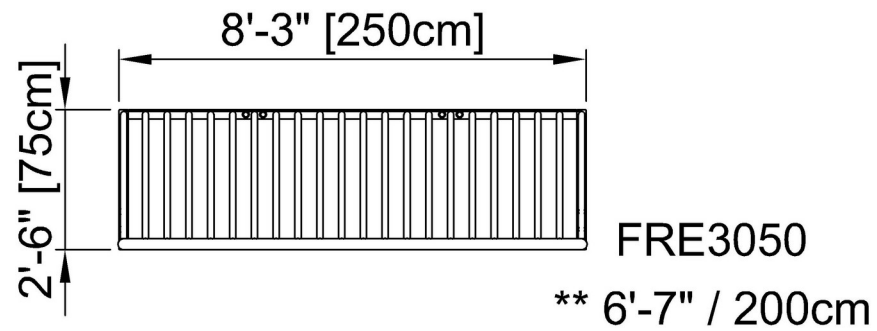


# Goal

FRE3050

\* Max fall height | \*\* Total height | \*\*\* Safety surfacing area

\* Max fall height | \*\* Total height



[Click to see TOP VIEW](#)

[Click to see SIDE VIEW](#)