

Baby Seat Swing

NRO902

KOMPANI
Let's play



产品编号 NRO902-1001	
产品信息概览	
长宽高尺寸	175x30x190 cm
适用年龄段	1+
容纳人数	1
颜色选择	



The sturdy baby seat of the Baby Seat Swing is an irresistible invitation for infants and their care givers. The swinging motion of the Baby Seat Swing will make infants want to swing again and again. There are several benefits of this: firstly, the swing seat supports the seated infant all around so that the feeling of security is guaranteed. Secondly, the rubber seat is

placed in a good height for the infant to be in eye level with other children. The swinging motion trains the child's motor skills, specifically the sense of balance and space. Seated while swinging also trains the core muscles, all of these physical skills are fundamental to the infants ability to walk and navigate the surroundings securely. The action

also stimulates the understanding of cause and effect and thinking skills. Socially, swinging and getting pushed in the swing seat by parents, care givers or siblings is great fun.



Baby Seat Swing

NRO902



Toddler swing seat

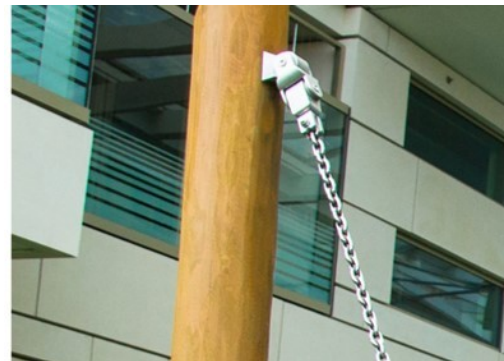
身体素质：有助于训练平衡感、协调能力和空间意识，这些都是判断距离和导航的必要技能。

社交情感：从而获得安全感。**认知能力：**培养对因果关系的理解能力。



Baby Seat Swing

NRO902



KOMPAN 的所有有机刺槐产品均由 刺槐木材制成，来自欧洲的可持续环保木材。可根据要求提供 FSC® Certified (FSC® C004450)

婴儿座椅是一种由 PP 内芯和外部橡胶制成的两件式座椅，一体成型。座椅可提供热镀锌钢或不锈钢的链条。

秋千悬挂由聚酰胺制成，由带旋转装置的双球轴承系统组成。

产品编号 NRO902-1001

安装信息

最大跌落高度	100 cm
安全面积	11.4 m ²
安装总时长	2.4
开挖量	0.14 m ³
混凝土使用量	0.05 m ³
标准入地深度	100 cm
运输重量	123 kg
固定选项	入地 ✓

质保信息

PUR 部件	10 年
Robinia 木材	15 年
承保零部件	10 年
不锈钢零件	终身质保



刺槐木可以作为未经处理的原木供应，也可以涂有棕色透明颜料，保持木材的金色木色。



Sustainability Data

NRO902



从原材料到成品

CO₂ 排放总量

kg CO₂e

CO₂ 排放量 / 千克

kg CO₂e/kg

回收的原料

%

NRO902-1001

41.00

0.42

2.28

这些因素采用的总体框架为环保产品声明 (EPD), 该声明可量化“产品生命周期的环保信息, 并对相同功能的产品进行对比”(ISO, 2006)。在遵循该框架的同时, 对从原材料到制造的整个产品阶段 (A1-A3) 应用生命周期评估法。

Kompan A/S

C.F. Tietgens Boulevard 32C
DK-5220 Odense SØ
Denmark



Verification of CO₂ calculation of: Nature play



Data version no. 2023-10-05

The CO₂ calculation and data are in compliance with the principles of a carbon footprint impact according to the GHG protocol (Greenhouse Gas Protocol), Scope 3, cradle to gate related to all individual components in the product category: "Nature play" represented by item no.: NRO409-0621.

(Scope 3 emissions include emission sources in the upstream and downstream value chain).

Date: 30. October 2023 | Valid until: 30. October 2025

Verified by:

Julie Marie Vejsgaard Larsen, LCA & EPD Consultant

Verification based on report: Validation of CO₂ calculation of 9 categories of Kompan product line, version 1.0, prepared by: Bureau Veritas HSE, Denmark: Julie M. V. Larsen.

Publication date: 30. October 2023

By Bureau Veritas HSE
www.bureauveritas.dk
+45 7731 1000

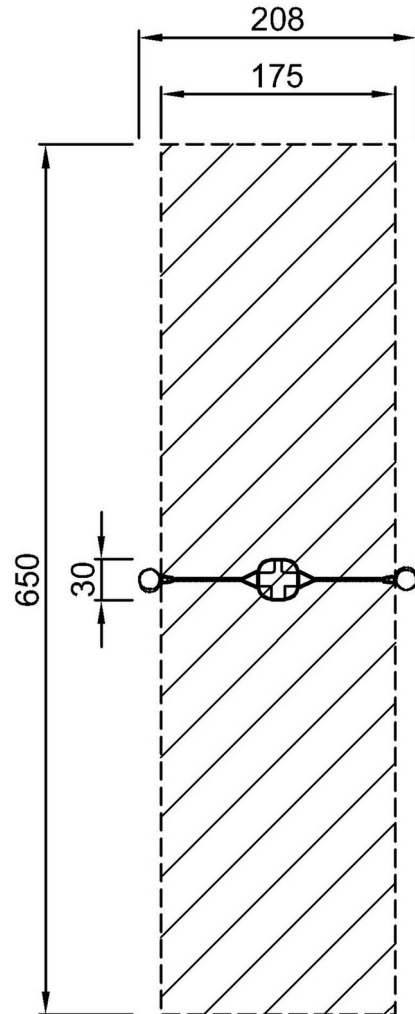


Baby Seat Swing

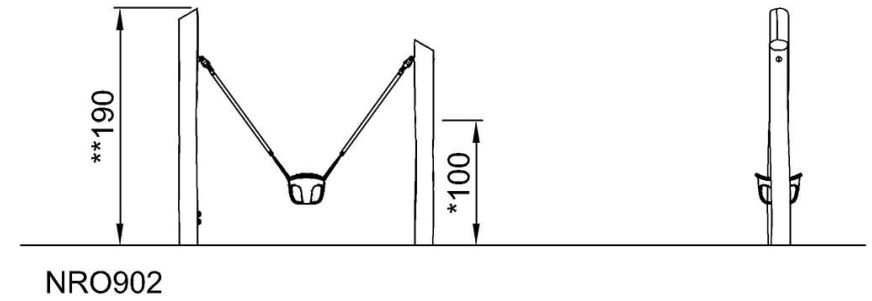
NRO902

最大跌落高度 | 总高度 | 安全区域

最大跌落高度 | 总高度



NRO902-1001
*100cm
**190cm
***11.4m²



NRO902

[点击查看俯视图](#)

[点击查看侧面图](#)