


Play Shell Climber

CRP201101



Item no. CRP201101-0901	
General Product Information	
Dimensions LxWxH	202x146x122 cm
Age group	2 - 5
Play capacity (users)	5
Colour options	



Come play and stay! The welcoming Play Shells' rounded shapes and levels invite fun, varied play: Climbing up, crawling below, and sitting down at varied heights, alone or with friends. The playful movement possibilities in a manageable space attract and intrigue young children again and again. The parallel play possibilities, repeating movements and routes

of friends, work wonders for socializing skills. Apart from being fun play, climbing over and crawling under trains important motor skills such as cross-coordination, which is fundamental for reading skills. Moving the body over, under, higher and lower, incorporates an understanding of space, shapes and measures that is fundamental for being comfortable with

mathematics.



Play Shell Climber

CRP201101



Play shell climber stack

Physical: balancing on the play shells and walking from one to another across the tubes trains cross-coordination and the sense of balance, which benefits body and posture control. **Social-Emotional:** meeting and communicating in smaller or larger groups, a possible place to retract from demanding physical play.



Play Shell Climber

CRP201101



The large components are made of 100% recyclable PE made from 33% post consumer materials. Molded in one piece with minimum 5mm wall thickness to ensure high durability in all climates around the world.

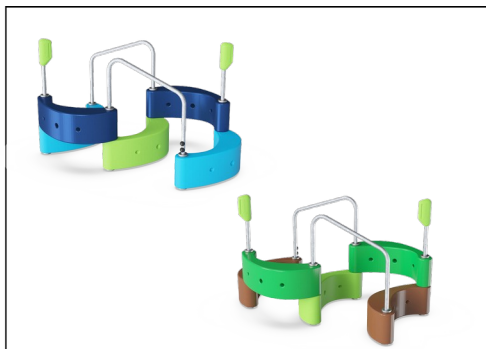


The steel surfaces are hot dip galvanised inside and outside with lead free zinc. The galvanisation has excellent corrosion resistance in outside environments and requires low maintenance.



Themed post top made of 100% recyclable PE made from 33% post consumer materials. Molded in one piece with minimum 4 mm wall thickness to ensure high durability in all climates around the world.

Item no. CRP201101-0901	
Installation Information	
Max. fall height	62 cm
Safety surfacing area	23.2 m ²
Total installation time	2.7
Excavation volume	0.49 m ³
Concrete volume	0.00 m ³
Footing depth (standard)	90 cm
Shipment weight	103 kg
Anchoring options	In-ground ✓
Warranty Information	
Hollow PE parts	10 years
Hot dip galvanised steel	Lifetime
Spare parts guaranteed	10 years



The product is designed in three different standard color combinations: Red and light blue, Light blue and lime green, Green and lime green. The layouts of the play structures can be customized through the KOMPAN Variant Team.



The Shell Climber can either be enjoyed on its own or be fully integrated with the Corocord Monkey Trails Mini.

Elevated activities 0	Accessible elevated activities	Accessible ground level activities	Accessible ground level play types
Present	0	1	1
Required	0	1	1

**CSA
Z614**
compliant

Sustainability Data

CRP201101



Cradle to Gate A1-A3	Total CO ₂ emission	CO ₂ e/kg	Recycled materials
	kg CO ₂ e	kg CO ₂ e/kg	%
CRP201101-0901	194.02	2.60	41.40

The overall framework applied for these factors is the Environmental Product Declaration (EPD), which quantifies "environmental information on the life cycle of a product and enable comparisons between products fulfilling the same function" (ISO, 2006). This follows the structure and applies a Life-Cycle Assessment approach to the entire Product stage from raw material through manufacturing (A1-A3))

Kompan A/S
 C.F. Tietgens Boulevard 32C
 DK-5220 Odense SØ
 Denmark



Verification of CO₂ calculation of: Corocord



Data version no. 2023-10-05

The CO₂ calculation and data are in compliance with the principles of a carbon footprint impact according to the GHG protocol (Greenhouse Gas Protocol), Scope 3, cradle to gate related to all individual components in the product category: "Corocord" represented by item no.: COR314011-1101.

(Scope 3 emissions include emission sources in the upstream and downstream value chain).

Date: 30. October 2023 | Valid until: 30. October 2025

Verified by:

Julie Marie Vejsgaard Larsen, LCA & EPD Consultant

Verification based on report: Validation of CO₂ calculation of 9 categories of Kompan product line, version 1.0, prepared by: Bureau Veritas HSE, Denmark: Julie M. V. Larsen.

Publication date: 30. October 2023

By Bureau Veritas HSE
 www.bureauveritas.dk
 +45 7731 1000

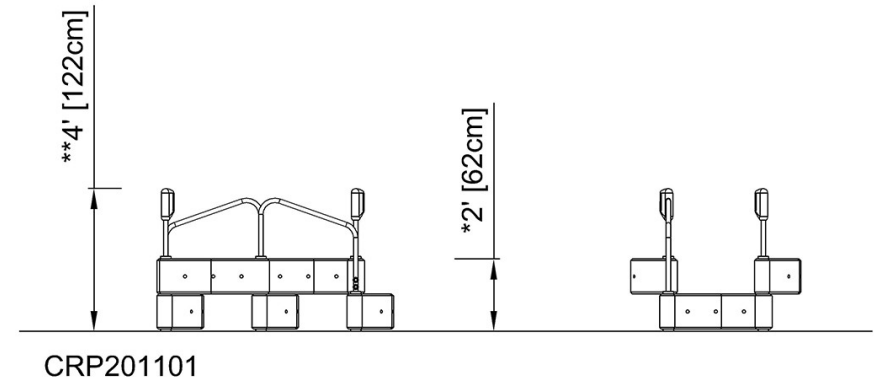
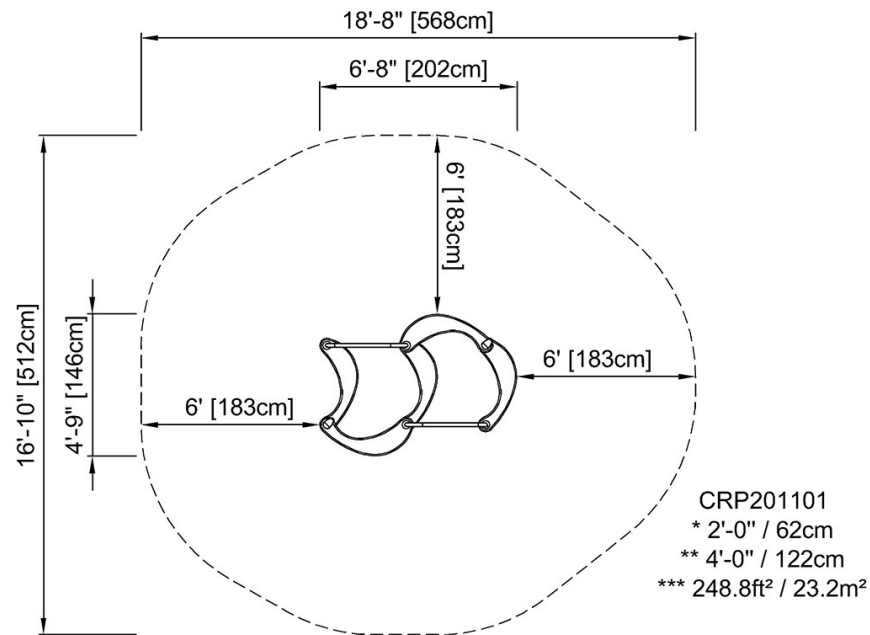


Play Shell Climber

CRP201101

* Max fall height | ** Total height | *** Safety surfacing area

* Max fall height | ** Total height



[Click to see TOP VIEW](#)

[Click to see SIDE VIEW](#)