



You & Me Seat H:3.0m

SW990122



Item no. SW990122-00	
General Product Information	
Dimensions LxWxH	61x93x0 cm
Age group	1+
Play capacity (users)	2
Colour options	 



With its whimsical look and easy-entry seat the You&Me swing invites a try. When having tried it once, parents and toddlers will come back again and again: the height of the seats is such that adult and child can be at eye level when swinging. Thus the first swing rides become a secure, yet thrilling and new experience for the toddler. To toddlers, the gently swinging

movement is a source of endless joy. But apart from that it also trains the development for important sensory-motor skills such as the sense of balance and space. This is important to build up the ability to gradually manage space independently, yet securely. The child-adult connection in play is important for the child-parent bonding through social activities.

But it is equally valuable for the child's growing independence in play. Last, but not least, it is immensely joyful.



Data is subject to change without prior notice.

You & Me Seat H:3.0m

SW990122



Toddler seat

Physical: balance and spatial awareness. Good back support and space to ease putting children in the seat and lifting them up, including winter clothing. **Social-Emotional:** eye-height with adult stimulates social contact and emotional bonding. The high sides support the child's seated position. **Cognitive:** swinging movement supports understanding of cause and effect.



Grip bars

Physical: height and diameter to support grips of sizes from toddler to grandparent. **Social-Emotional:** feeling of security when being able to hold onto properly proportioned grip.



Back support

Physical: good, soft back support. **Social-Emotional:** feeling of security and comfort.



Openings for legs

Physical: ease of seating and room for movement. Facilitate lifting the child in and out the seat.



Low, open seat

Physical: adult: possibility to place the toddler in the seat while keeping eye-contact. Older child: training of motor and muscle skills. **Social-Emotional:** security in responding to toddler's moods while swinging.

You & Me Seat H:3.0m

SW990122



KOMPAN heavy duty designed swing hangers of stainless steel with anti-twist function. The hangers are attached to the cross beam on a welded bracket with two bolts. The bearings are embedded with silicone lubricant and needs no further lubrication.



The You & Me Swing seat is fitted with 6mm stainless steel chains.



The frame is powder coated inside & outside hot-dip galvanised steel and the bumper on the back side of frame is made of PUR.

Item no. SW990122-00	
Installation Information	
Max. fall height	0 cm
Safety surfacing area	15.5 m ²
Total installation time	0.3
Excavation volume	0.00 m ³
Concrete volume	0.00 m ³
Footing depth (standard)	0 cm
Shipment weight	25 kg
Anchoring options	
Warranty Information	
Chains	10 years
Galvanised/painted metal	10 years
Movable parts	2 years
Spare parts guaranteed	10 years
Swing seat	10 years



The You&Me swing seat can be installed in Kompan A-Frame, Robinia Frame and Portal swing systems for the heights 2.5 and 3.0. The swing seat is not applicable for 2.0.



All soft seat materials are UV and ozone protected to the maximum within the frames of the strongest environmental demands.



The baby seat is made of black TPV (Santoprene) and the design has large leg holes for easy placement of baby/toddler.

EN
1176
compliant

Sustainability Data

SW990122



Cradle to Gate A1-A3	Total CO ₂ emission	CO ₂ e/kg	Recycled materials
	kg CO ₂ e	kg CO ₂ e/kg	%
SW990122-00	50.98	3.30	35.85

The overall framework applied for these factors is the Environmental Product Declaration (EPD), which quantifies "environmental information on the life cycle of a product and enable comparisons between products fulfilling the same function" (ISO, 2006). This follows the structure and applies a Life-Cycle Assessment approach to the entire Product stage from raw material through manufacturing (A1-A3))

Kompan A/S
C.F. Tietgens Boulevard 32C
DK-5220 Odense SØ
Denmark



Verification of CO₂ calculation of: Freestanding play equipment



Data version no. 2023-10-05

The CO₂ calculation and data are in compliance with the principles of a carbon footprint impact according to the GHG protocol (Greenhouse Gas Protocol), Scope 3, cradle to gate related to all individual components in the product category: "Freestanding play equipment" represented by item no.: KSW92011-0910.

(Scope 3 emissions include emission sources in the upstream and downstream value chain).

Date: 30. October 2023 | Valid until: 30. October 2025

Verified by:

Julie Marie Vejsgaard Larsen, LCA & EPD Consultant

Verification based on report: Validation of CO₂ calculation of 9 categories of Kompan product line, version 1.0, prepared by: Bureau Veritas HSE, Denmark: Julie M. V. Larsen.

Publication date: 30. October 2023

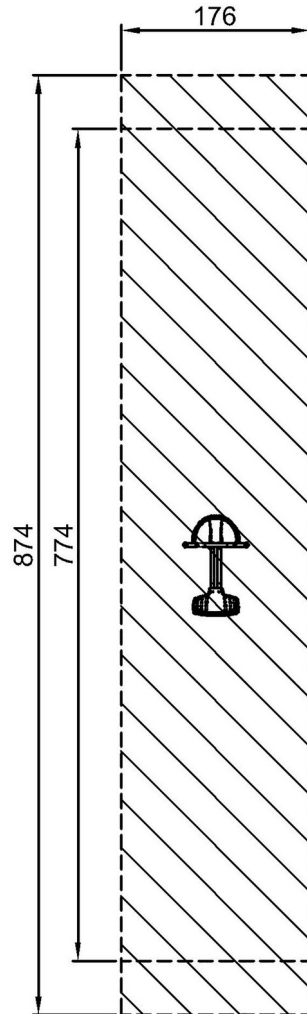
By Bureau Veritas HSE
www.bureauveritas.dk
+45 7731 1000



You & Me Seat H:3.0m

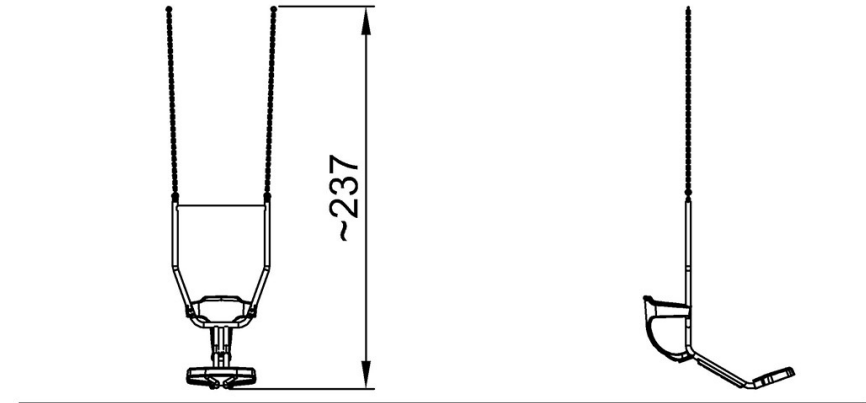
SW990122

* Max fall height | ** Total height | *** Safety surfacing area



[Click to see TOP VIEW](#)

* Max fall height | ** Total height



SW990122
1:100

[Click to see SIDE VIEW](#)