

Kilimanjaro

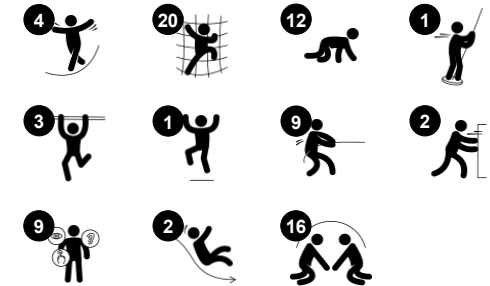
PCE310121



产品编号 PCE310121-0901

产品信息概览

长宽高尺寸	1343x797x586 cm
适用年龄段	6+
容纳人数	47
颜色选择	



The Kilimanjaro is an awesome play challenge, attracting all and, thanks to its impressive variation in play possibilities at every level, enticing them to return. Ample thrilling and responsive climbing challenges, along with balancing activities, train the motor skills' ABC: Agility, Balance and Coordination. These are fundamental skills for managing in today's 'real'

world. The high, high net bridge and the tall curvy slide, offer exhilarating play rewards after having gained self-esteem from conquering the heights. There is 360° climbing throughout the transparent, bouncy and sturdy play unit. Numerous nooks and crannies and meeting points create areas for social interaction. The high number of ground based features offers

opportunities for all abilities to explore and enjoy the fun.

Kilimanjaro

PCE310121

KOMPANI
Let's play



Coroflex bridge

身体素质：绳索坚固的反弹力有助于训练平衡感和交叉协调能力。水滴形手柄可训练上身肌肉。**社交情感：**与朋友合作走过弹跳绳是一项真正的合作任务，需要团队精神和宽容心。



Pipe climber

身体素质：攀爬时的肌肉力量、交叉协调和空间感。**社交情感：**encourage socializing when seated on the bars.



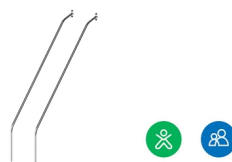
Twisted net

身体素质：the big, twisted meshes allow for varied climbing and crawling through, supporting the development of proprioception, spatial awareness, cross coordination, and muscle strength. **社交情感：**the partly horizontal meshes allow more children to sit together and talk.



Wall climber

身体素质：climbing supports cross coordination, proprioception, and the development of major muscle groups and hand strength. **社交情感：**two-sided climbing spurs social interaction and turn-taking.



Banister bars

身体素质：跳下来时，身体的协调性、手臂和核心肌肉都会得到发展。落地运动可增强骨密度，为童年生活做好准备。 **社交情感：**训练轮流意识和风险意识。



Spiral tube slide

身体素质：滑滑梯有助于提高空间感和平衡感。此外，在直立向下坐时，儿童的核心肌肉也会得到锻炼。 **社交情感：**thrill when going down fast. Empathy stimulated by turn-taking. Feeling of security when stopping on extra long slide mouth.



Rope climber

身体素质：children develop cross coordination when climbing and upper body muscles when pulling themselves upwards in the support ropes. **社交情感：**place for meeting, taking a break and socializing.

Kilimanjaro

PCE310121

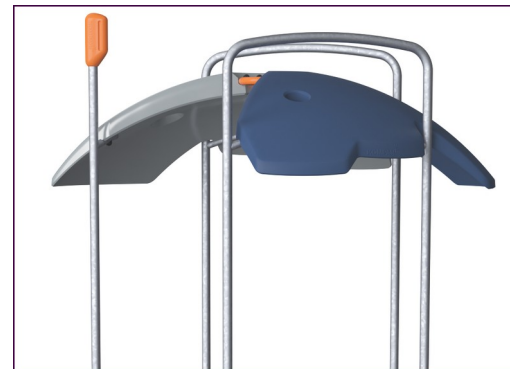
KOMPAN
Let's play



ELEMENTS 的弧形面板由 UV 稳定的可回收 PE 模制而成，具有多种内建游戏功能选项，提供卓越的面板解决方案。直面板由 KOMPAN 19mm PE EcoCore™ 制成，这是一种高度耐用，环保且可回收的材料。



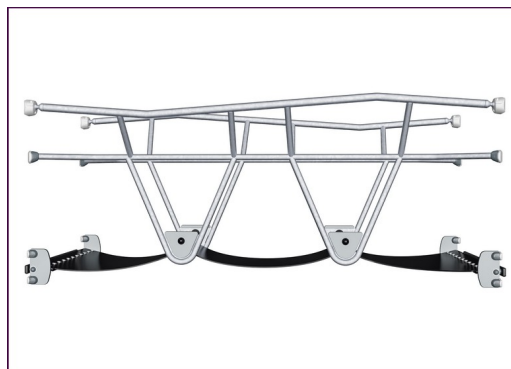
所展示的攀爬部件为一体成型的，壁厚 5 毫米（最低厚度），由可循环的聚乙烯材料制成，抗冲击性强，适用温度范围广，在任何位置都能抵抗破坏。



ELEMENTS 屋顶由可回收的 PE 制成，最小壁厚为 5 mm，以确保在全球所有气候条件下都具有较高的耐用性。钢管在内部和外部均热浸镀锌，以实现最大的耐用性。



立柱由优质预镀锌钢制成，表面覆盖粉末涂层。柱顶由防紫外线的尼龙 (PA6) 盖封闭。灰色模压平台底板由 75% 海洋渔业消费后可循环 PP 材料制成，表面有防滑图案和纹理。所有平台底板均由独特设计的低碳铝型材支撑，可安装多种不同游戏板功能配件。



ELEMENTS 系列中的橡胶膜是由天然橡胶和丁苯橡胶混合而成的多层橡胶膜带，内部嵌有由聚乙烯和聚酰胺编织而成的层层铠装。8 毫米的厚度可确保橡胶膜在任何环境下都保持较高的耐用性。



ELEMENTS 绳索具有六股钢丝和钢丝芯。每根丝束都用 PES 纱紧密包裹，然后将其熔化到每根单独的丝束上。在最初的摩擦力去除了表面纤维之后，保留了较硬的 PES 涂层以保护每根股绳，从而使绳索具有极高的耐磨性和防破坏性。

产品编号 PCE310121-0901

安装信息

最大跌落高度	278 cm
安全面积	122.0 m ²
安装总时长	58.1
开挖量	2.00 m ³
混凝土使用量	0.52 m ³
标准入地深度	85 cm
运输重量	2,288 kg
固定选项	地表 ✓ 入地 ✓

质保信息

弧形面板	10 年
EcoCore HDPE	终身质保
橡胶软膜	2 年
立柱	10 年
承保零部件	10 年



Sustainability Data

PCE310121



从原材料到成品

CO₂ 排放总量

CO₂ 排放量 / 千克

回收的原料

kg CO₂e

kg CO₂e/kg

%

PCE310121-0901

6,013.40

3.32

46.00

这些因素采用的总体框架为环保产品声明 (EPD), 该声明可量化“产品生命周期的环保信息, 并对相同功能的产品进行对比” (ISO, 2006)。在遵循该框架的同时, 对从原材料到制造的整个产品阶段 (A1-A3) 应用生命周期评估法。

Kompan A/S

C.F. Tietgens Boulevard 32C
DK-5220 Odense SØ
Denmark

Validation of CO₂ calculation method
BUREAU VERITAS
HSE Denmark A/S



Verification of CO₂ calculation of: Play systems



Data version no. 2023-10-05

The CO₂ calculation and data are in compliance with the principles of a carbon footprint impact according to the GHG protocol (Greenhouse Gas Protocol), Scope 3, cradle to gate related to all individual components in the product category: "Play systems" represented by item no.: PCM200321-0950.

(Scope 3 emissions include emission sources in the upstream and downstream value chain).

Date: 30. October 2023 | Valid until: 30. October 2025

Verified by:

Julie Marie Vejsgaard Larsen, LCA & EPD Consultant

Verification based on report: Validation of CO₂ calculation of 9 categories of Kompan product line, version 1.0, prepared by: Bureau Veritas HSE, Denmark: Julie M. V. Larsen.

Publication date: 30. October 2023

By Bureau Veritas HSE
www.bureauveritas.dk
+45 7731 1000

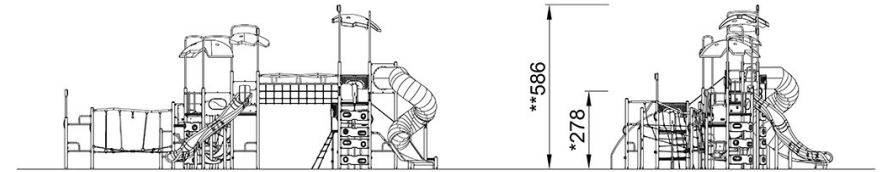
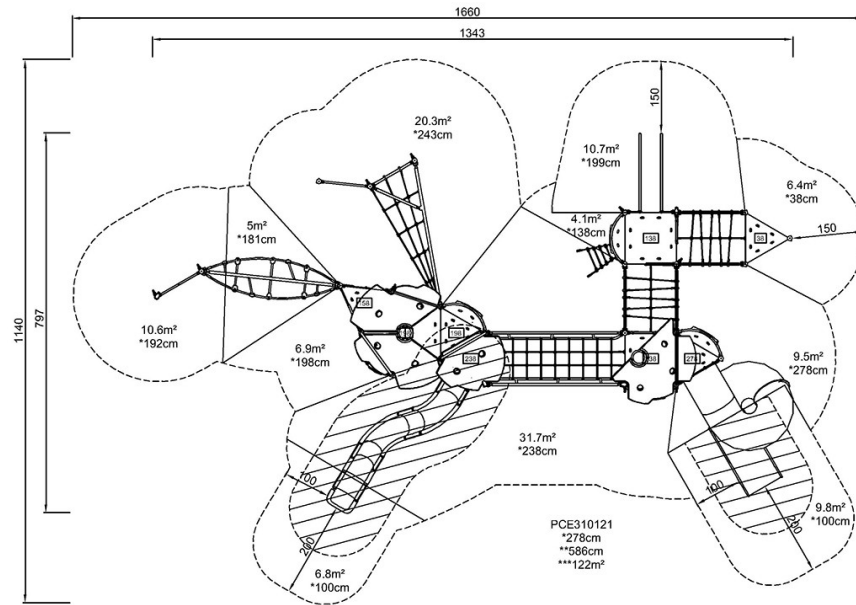


Kilimanjaro

PCE310121

最大跌落高度 | 总高度 | 安全区域

最大跌落高度 | 总高度



PCE310121

[点击查看俯视图](#)

[点击查看侧面图](#)