


Entry Seesaw, 4 Persons

NRO106



Item no. NRO106-1001	
General Product Information	
Dimensions LxWxH	400x48x115 cm
Age group	4+
Play capacity (users)	6
Colour options	



For generations children have had fun and stayed at playgrounds because of the simple seesaw. This seesaw fits four people, and is also made of beautiful hand-crafted Robinia timber. Children can touch and learn what natural timber looks and feels like, all the while having fun on what is a playground classic. Looking for other options? View KOMAN's full

range of seesaws.



Entry Seesaw, 4 Persons

NRO106



Rocking movement

Physical: response to movements adds to spatial awareness and sense of balance which are fundamental motor skills.

Cognitive: trains the understanding of cause and effect: when I move my body, the spring responds with movement.



Rocking together

Social-Emotional: the possibility of rocking two together trains cooperation skills and consideration of others.



Handhold

Physical: opens more hold positions and ensures good grip, necessary for rocking intensely which trains hand and arm muscles.

Entry Seesaw, 4 Persons

NRO106



All organic Robinia products by KOMPAN are made of Robinia wood which is sourced from sustainable plantation farms. On request it can be supplied as FSC® Certified (FSC® C004450).

The hardware is made of stainless steel or galvanised steel to ensure durable connections that has high corrosion resistance.

The Robinia wood can be supplied as untreated raw wood or painted with a brown coloured transparent pigment that maintains the golden wood colour of the wood.

Item no. NRO106-1001

Installation Information

Max. fall height	115 cm
Safety surfacing area	12.1 m ²
Total installation time	3.7
Excavation volume	0.58 m ³
Concrete volume	0.16 m ³
Footing depth (standard)	100 cm
Shipment weight	198 kg
Anchoring options	In-ground ✓

Warranty Information

Robinia Wood	15 years
Spare Parts Guarantee	10 years
Stainless Steel Components	Lifetime



Sustainability Data

NRO106



Cradle to Gate A1-A3	Total CO ₂ emission	CO ₂ e/kg	Recycled materials
	kg CO ₂ e	kg CO ₂ e/kg	%
NRO106-1001	72.10	0.45	19.92

The overall framework applied for these factors is the Environmental Product Declaration (EPD), which quantifies "environmental information on the life cycle of a product and enable comparisons between products fulfilling the same function" (ISO, 2006). This follows the structure and applies a Life-Cycle Assessment approach to the entire Product stage from raw material through manufacturing (A1-A3))

Kompan A/S
C.F. Tietgens Boulevard 32C
DK-5220 Odense SØ
Denmark



Verification of CO₂ calculation of: Nature play



Data version no. 2023-10-05

The CO₂ calculation and data are in compliance with the principles of a carbon footprint impact according to the GHG protocol (Greenhouse Gas Protocol), Scope 3, cradle to gate related to all individual components in the product category: "Nature play" represented by item no.: NRO409-0621.

(Scope 3 emissions include emission sources in the upstream and downstream value chain).

Date: 30. October 2023 | Valid until: 30. October 2025

Verified by:

Julie Marie Vejsgaard Larsen, LCA & EPD Consultant

Verification based on report: Validation of CO₂ calculation of 9 categories of Kompan product line, version 1.0, prepared by: Bureau Veritas HSE, Denmark: Julie M. V. Larsen.

Publication date: 30. October 2023

By Bureau Veritas HSE
www.bureauveritas.dk
+45 7731 1000

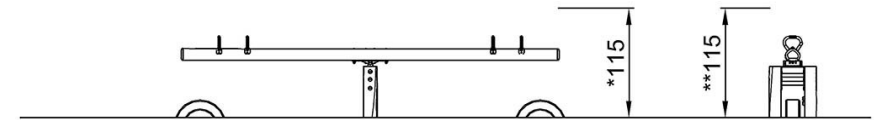
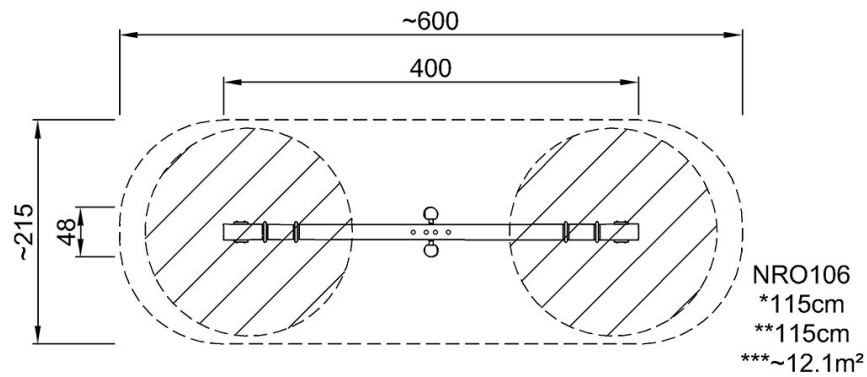


Entry Seesaw, 4 Persons

NRO106

* Max fall height | ** Total height | *** Safety surfacing area

* Max fall height | ** Total height



[Click to see TOP VIEW](#)

[Click to see SIDE VIEW](#)