

Elephant Ride

NAT102



Item no. NAT102-0412

General Product Information

Dimensions LxWxH	80x81x67 cm
Age group	2+
Play capacity (users)	2
Color options	



The Elephant Ride makes children smile and want to try it. And they will not be disappointed: the Elephant Ride is multifunctional as children can choose between the rubber handholds or a handhold bar, depending on which way they turn. Ample foot support is provided in both directions, so two children can easily be seated whilst rocking, side by side or in each direction.

Rocking on the Elephant Ride trains important motor skills such as balance and coordination, which are fundamental for movement control. When children stem their feet against the foot support and hold tight to the handholds or bars, they train main muscle groups. But not least, playing with a friend on the Elephant Ride trains cooperation and turn-taking skills. These

are important socio-emotional skills that help children make friends.



Elephant Ride

NAT102



Posts and boards are made of pine wood from sustainable European sources. The wood is pressure impregnated Class 3 with Tanalith E3475 according to EN335 (Equivalent to NTR Class AB). On request it can be supplied as FSC® Certified (FSC® C004450).



The steel surfaces are hot dip galvanized inside and outside with lead free zinc. The galvanization has excellent corrosion resistance in outside environments and requires low maintenance.



KOMPAN Springs are made of high quality spring steel according to EN10270. The springs are cleaned by phosphating before they are painted with an epoxy primer and a polyester powder coating as top finish. The springs are fixed by unique anti pinch fittings for maximum safety and long lifetime.



The teardrop handle has been designed in shape and diameter so as to fit optimally for older kids, and the special thermoplastic rubber (TPV) rubber surface makes it nice to touch.

Item no. NAT102-0412	
Installation Information	
Max. fall height	60 cm
Safety surfacing area	8.8 m ²
Total installation time	2.7
Excavation volume	0.29 m ³
Concrete volume	0.00 m ³
Footing depth (standard)	42 cm
Shipment weight	68 kg
Anchoring options	In-ground ✓ Surface ✓



Sustainability Data

NAT102



Cradle to Gate A1-A3	Total CO ₂ emission	CO ₂ e/kg	Recycled materials
	kg CO ₂ e	kg CO ₂ e/kg	%
NAT102-0412	154.40	2.55	40.70

The overall framework applied for these factors is the Environmental Product Declaration (EPD), which quantifies "environmental information on the life cycle of a product and enable comparisons between products fulfilling the same function" (ISO, 2006). This follows the structure and applies a Life-Cycle Assessment approach to the entire Product stage from raw material through manufacturing (A1-A3))

Kompan A/S
 C.F. Tietgens Boulevard 32C
 DK-5220 Odense SØ
 Denmark



Verification of CO₂ calculation of: Nature play



Data version no. 2023-10-05

The CO₂ calculation and data are in compliance with the principles of a carbon footprint impact according to the GHG protocol (Greenhouse Gas Protocol), Scope 3, cradle to gate related to all individual components in the product category: "Nature play" represented by item no.: NRO409-0621.

(Scope 3 emissions include emission sources in the upstream and downstream value chain).

Date: 30. October 2023 | Valid until: 30. October 2025

Verified by:

Julie Marie Vejsgaard Larsen, LCA & EPD Consultant

Verification based on report: Validation of CO₂ calculation of 9 categories of Kompan product line, version 1.0, prepared by: Bureau Veritas HSE, Denmark: Julie M. V. Larsen.

Publication date: 30. October 2023

By Bureau Veritas HSE
 www.bureauveritas.dk
 +45 7731 1000

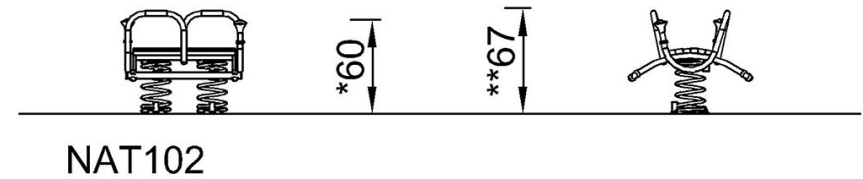
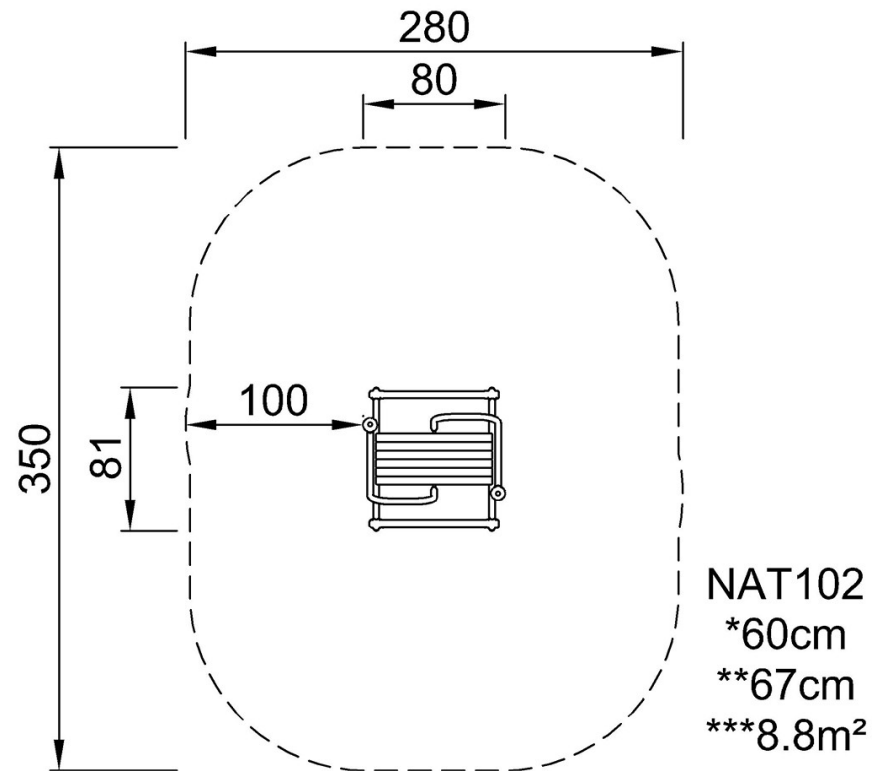


Elephant Ride

NAT102

* Max fall height | ** Total height | *** Safety surfacing area

* Max fall height | ** Total height



[Click to see TOP VIEW](#)

[Click to see SIDE VIEW](#)