

Triple Tower Stairs

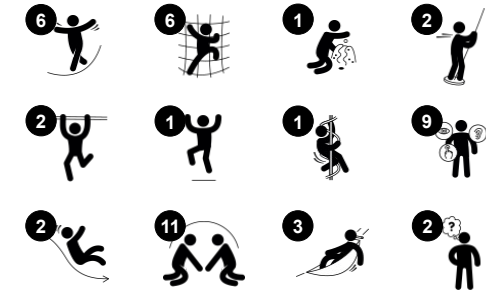
PCM310921



产品编号 PCM310921-0904

产品信息概览

长宽高尺寸	855x508x410 cm
适用年龄段	4+
容纳人数	36
颜色选择	



The play unit offers many levels of play: from the inclined climbing net up to the lower platform, from which the child can take the stomach-tickling slide down to the ground or enjoy the rotating movement of the Curly Climber back to the ground. An alternative route is to venture onto the wackle bridge, using the full physical concentration on

balancing to the platform of the stairway. The second half leads to the roomy top of the mega deck, perfect for groups to socialise and play on an elevated level, from which they can choose their way to the ground on either, a curved, bumpy slide or a dare devil pair of banister bars at full speed. An alternative route up to the mega deck platform is up the curved

tower net where climbing will challenge the physical and coordination skills. Under the platform a nice seat and a rocking hammock makes a meeting point for all.

Triple Tower Stairs

PCM310921



Tower net

身体素质：the children have fast access up the horizontal rungs, and a slower climb up the sloping rungs. The net can be climbed from both sides, levelling the challenge. Cross coordination, and arm and leg muscles are trained. **社交情感**：the two-sided net and spaciousness allows for social interaction. **认知能力**：logical thinking when planning how to best enter the platform from the net.



弯曲攀爬杆

身体素质：当正确摆放手臂和腿部以便下蹲时，可以训练协调和本体感觉。在旋转时训练平衡感。紧握时可以训练手臂肌肉。 **社交情感**：轮流玩耍时可激发同理心。 **认知能力**：在向下旋转时，正确摆放手脚时可训练逻辑思维。



Wackle bridge

身体素质：可以训练平衡感和空间感，以及身体姿势，对静坐能力非常重要。 **社交情感**：培养合作、轮流意识，鼓励友好竞赛。



弧形滑梯

身体素质：玩滑梯可以培养空间感和平衡感。此外，在直立向下坐时，核心肌肉也能得到锻炼。 **社交情感**：轮流玩耍时可激发同理心。



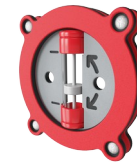
摇摆座椅

身体素质：摇摆时的协调性和平衡感。 **社交情感**：和朋友见面，轻轻地前后推朋友，轮流玩耍。 **认知能力**：让幼儿理解因果关系。



轻松入口

身体素质：攀爬无障碍楼梯适合所有人，有助于锻炼交叉协调能力、手臂和腿部肌肉。对于年幼的孩子来说，走楼梯和双脚交替训练可以培养协调能力。 **社交情感**：这是一个包容的空间，为活动休息的孩子们和看护人提供休息区域。

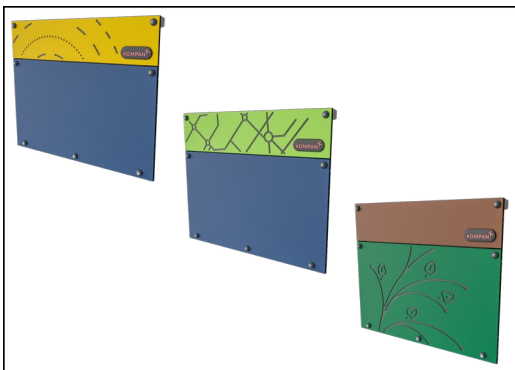


Timer

社交情感：teams can each have a button to measure rounds, wins etc. The buttons support cooperation and teamwork. **认知能力**：counting and registering support thinking skills such as logical thinking and sequencing. **创造力**：children can leave their mark, placing the timer in different positions.

Triple Tower Stairs

PCM310921



19 毫米 EcoCore™ 面板。EcoCore™ 是一种高度耐用、环保的材料，不仅在使用后可回收利用，而且还包含由 100 % 食品包装可循环材料制成的芯。



所有平台底板均由独特设计的低碳铝型材支撑，并具有多种加配选择。灰色模制平台底板由 75% 消费后的海洋可循环 PP 材料制成，具有防滑图案和表面纹理。



Main posts with hot dip galvanized steel footing are available in different materials: Pressure impregnated pine wood posts. Pre-galvanized inside and outside with powder coated top finish steel posts. Lead free aluminum with color anodized top finish. Greenline TexMade posts of 95% post-consumer recycled PE and textile waste.



不锈钢游戏活动部件由优质不锈钢制成。在制造后使用酸洗工艺对钢进行清洁，以确保光滑和清洁的顺滑表面。



载玻片可以选择六种不同的颜色和树形材料：直的或弯曲的一体式成型 PE 载玻片。结合 EcoCore™ 侧面和不锈钢。全不锈钢一体式设计，更多防破坏解决方案。



KOMPAN 环保系列产品采用终极环保材料设计，具有最低可能性的二氧化碳排放当量系数。TexMade 立柱，100% 消费后的海洋可循环材料制成的 EcoCore™ 面板和模制 PP 平台底板。

产品编号 PCM310921-0904

安装信息

最大跌落高度	276 cm
安全面积	75.7 m ²
安装总时长	41.5
开挖量	1.17 m ³
混凝土使用量	0.27 m ³
标准入地深度	90 cm
运输重量	1,476 kg
固定选项	入地 ✓ 地表 ✓

质保信息

EcoCore HDPE	终身质保
立柱	10 年
PP 板	10 年
绳网	10 年
承保零部件	10 年



Sustainability Data

PCM310921



从原材料到成品	CO ₂ 排放总量	CO ₂ 排放量 / 千克	回收的原料
	kg CO ₂ e	kg CO ₂ e/kg	%
PCM310921-0951	2,090.89	1.71	72.39
PCM310921-0904	2,551.22	2.45	59.36

这些因素采用的总体框架为环保产品声明 (EPD), 该声明可量化“产品生命周期的环保信息, 并对相同功能的产品进行对比” (ISO, 2006)。在遵循该框架的同时, 对从原材料到制造的整个产品阶段 (A1-A3) 应用生命周期评估法。

Kompan A/S
C.F. Tietgens Boulevard 32C
DK-5220 Odense SØ
Denmark



Verification of CO₂ calculation of: Play systems



Data version no. 2023-10-05

The CO₂ calculation and data are in compliance with the principles of a carbon footprint impact according to the GHG protocol (Greenhouse Gas Protocol), Scope 3, cradle to gate related to all individual components in the product category: "Play systems" represented by item no.: PCM200321-0950.

(Scope 3 emissions include emission sources in the upstream and downstream value chain).

Date: 30. October 2023 | Valid until: 30. October 2025

Verified by:

Julie Marie Vejsgaard Larsen, LCA & EPD Consultant

Verification based on report: Validation of CO₂ calculation of 9 categories of Kompan product line, version 1.0, prepared by: Bureau Veritas HSE, Denmark: Julie M. V. Larsen.

Publication date: 30. October 2023

By Bureau Veritas HSE
www.bureauveritas.dk
+45 7731 1000

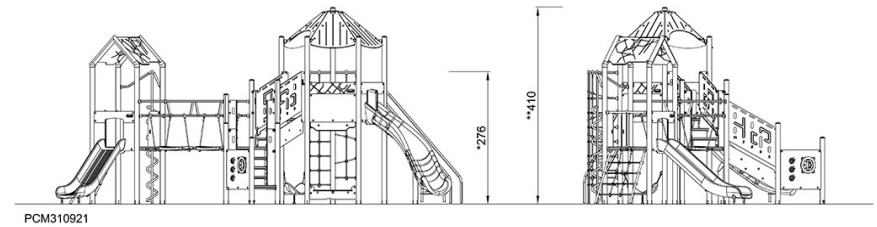
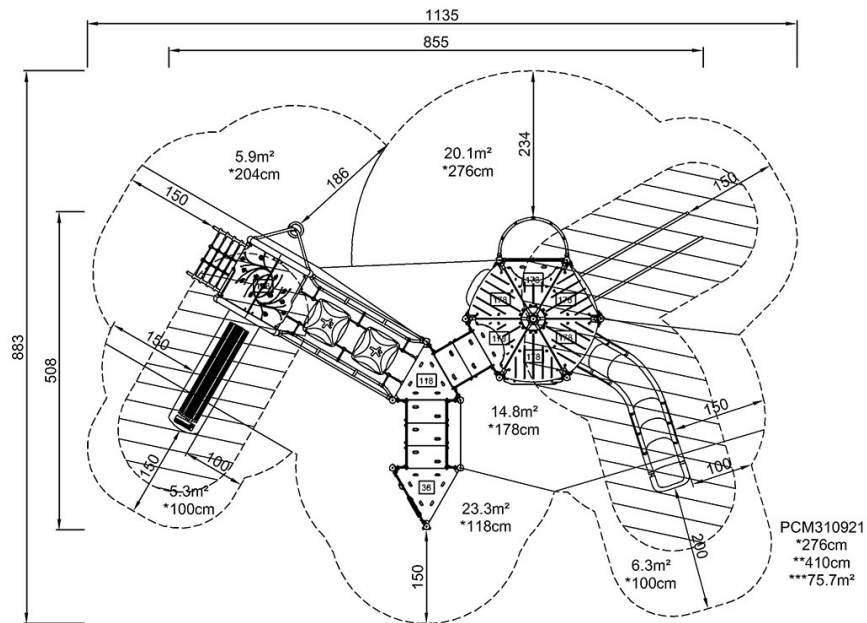


Triple Tower Stairs

PCM310921

最大跌落高度 | 总高度 | 安全区域

最大跌落高度 | 总高度



[点击查看俯视图](#)

[点击查看侧面图](#)