


# Seesaw with Tyres

KPL112

Item no. KPL112-0602

## General Product Information

Dimensions LxWxH	37x309x102 cm
Age group	3+
Play capacity (users)	2
Colour options	



The Seesaw with Tyres is a playground classic. It still attracts players again and again, as it has for generations. The vintage play item is still with us for a reason: the tickling in the stomach when going up high, and going down fast is eternally appealing. The Seesaw with Tyres develops the sense of space and rhythm and leg muscles of children. These are crucial

motor skills that help children navigate the world securely, e.g. in the street when estimating time, movement and objects. The social dimension and degree of trust in your peer that is demanded when see-sawing, is a great way training of socio-emotional life skills such as turn-taking and cooperation. Empathy is trained as well, as players consider others'

limits and limitations. Or as they get inspired to try out things they didn't dare to do before, because other children dare to.

# Seesaw with Tyres

KPL112



## Handhold

**Physical:** the possibility to hold on tight enables intense rocking. This trains the hand and arm muscles.



## Rocking movement

**Physical:** response to movements adds to spatial awareness and sense of balance. These are fundamental motor skills that help the child's ability to sit still on a chair which takes a good sense of balance. **Cognitive:** trains the understanding of cause and effect: when I move my body, the spring responds with movement.



## Rocking together

**Social-Emotional:** the possibility of rocking two together trains cooperation skills. Consideration of others when rocking.

# Seesaw with Tyres

KPL112



The seat is made of High-Pressure Laminate HPL with a thickness 17.8mm and non skid surface texture according to EN 438-6. KOMPAN HPL has high wearing strength to ensure long lifetime in all climates.



The steel surfaces are hot dip galvanised inside and outside with lead free zinc. The galvanisation has excellent corrosion resistance in outside environments and requires low maintenance.



Coloured steel components have a base of hot dip galvanisation and a powder coated top finish. This provides an ultimate corrosion resistance in all climates around the world.

Item no. KPL112-0602	
<b>Installation Information</b>	
Max. fall height	112 cm
Safety surfacing area	11.3 m <sup>2</sup>
Total installation time	3.2
Excavation volume	0.59 m <sup>3</sup>
Concrete volume	0.15 m <sup>3</sup>
Footing depth (standard)	70 cm
Shipment weight	93 kg
Anchoring options	In-ground ✓
<b>Warranty Information</b>	
Galvanised/painted metal	10 years
HPL seat	15 years
Spare parts guaranteed	10 years



# Sustainability Data

KPL112



Cradle to Gate A1-A3	Total CO <sub>2</sub> emission	CO <sub>2</sub> e/kg	Recycled materials
	kg CO <sub>2</sub> e	kg CO <sub>2</sub> e/kg	%
<b>KPL112-0602</b>	156.34	1.77	59.29

The overall framework applied for these factors is the Environmental Product Declaration (EPD), which quantifies "environmental information on the life cycle of a product and enable comparisons between products fulfilling the same function" (ISO, 2006). This follows the structure and applies a Life-Cycle Assessment approach to the entire Product stage from raw material through manufacturing (A1-A3))

**Kompan A/S**  
 C.F. Tietgens Boulevard 32C  
 DK-5220 Odense SØ  
 Denmark



## Verification of CO<sub>2</sub> calculation of: Freestanding play equipment



Data version no. 2023-10-05

The CO<sub>2</sub> calculation and data are in compliance with the principles of a carbon footprint impact according to the GHG protocol (Greenhouse Gas Protocol), Scope 3, cradle to gate related to all individual components in the product category: "Freestanding play equipment" represented by item no.: GXY916012-3417.

(Scope 3 emissions include emission sources in the upstream and downstream value chain).

**Date: 30. October 2023 | Valid until: 30. October 2025**

Verified by:

Julie Marie Vejsgaard Larsen, LCA & EPD Consultant

Verification based on report: Validation of CO<sub>2</sub> calculation of 9 categories of Kompan product line, version 1.0, prepared by: Bureau Veritas HSE, Denmark: Julie M. V. Larsen.

**Publication date: 30. October 2023**

By Bureau Veritas HSE  
 www.bureauveritas.dk  
 +45 7731 1000

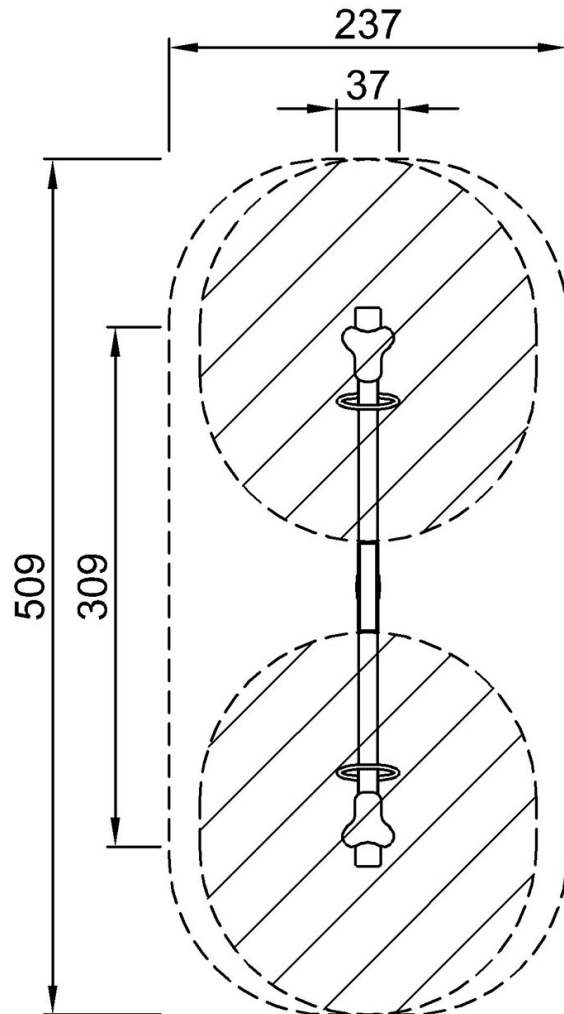


# Seesaw with Tyres

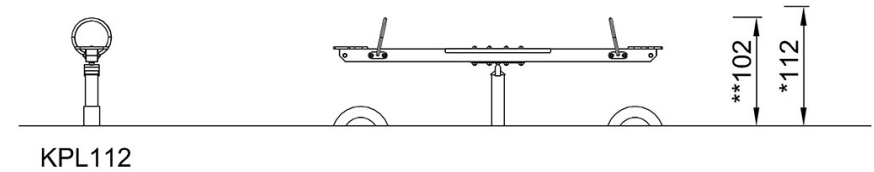
KPL112

\* Max fall height | \*\* Total height | \*\*\* Safety surfacing area

\* Max fall height | \*\* Total height



KPL112-xx02  
\*112cm  
\*\*102cm  
\*\*\*11.3m<sup>2</sup>



KPL112

[Click to see TOP VIEW](#)

[Click to see SIDE VIEW](#)