
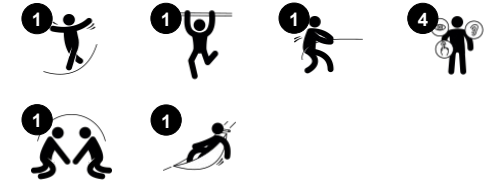


Rope Bridge

NRO811



Item no. NRO811-1001	
General Product Information	
Dimensions LxWxH	7'4"x1'8"x8'6"
Age group	5 - 12
Play capacity (users)	2
Color options	



The Rope Bridge with its classic appeal keeps children rehearsing tight rope walks again and again. The rope can be balanced with or without hand support. The upper rope is there, when needed. Moving across the bridge trains children's sense of balance. This is fundamental for the mastery of all other motor skills. The sense of balance makes it possible for children

to walk, to run, and to avoid falling. Maintaining balance is crucial for feeling confident in physical activity. But the sense of balance is also used when sitting still. It supports the ability to concentrate and learn. The Rope Bridge trains balance, and supports balancing acts with others. The social-emotional skills of turn-taking, cooperation and negotiation are

built when passing each other on the tight rope. Click to get more inspiration for your new rope bridge playground



Rope Bridge

NRO811



Horizontal rope

Physical: the stiff, bouncy rope is great for walking with arms or hanging in knees.

Social-Emotional: children cooperate, help each other and take turns.



Balancing ropes

Physical: the balance training here is unmistakable. Holding onto the swaying upper rope when balancing on the swaying lower rope quickly develops the sense of balance as well as the trunk muscles. These abilities are fundamental for being able to sit still on a chair. **Social-Emotional:** there is room for more than one and cooperating with friends on walking over the swaying ropes is a true cooperation task that requires teamwork and tolerance.

Rope Bridge

NRO811



All Organic Robinia products by KOMPAN are made of Robinia wood from sustainable European sources. On request it can be supplied as FSC® Certified (FSC® C004450).



Nets and ropes are made of UV-stabilized PA with inner steel cable reinforcement. The rope is induction treated in order to create a strong connection between steel and rope which leads to good wear resistance.



The Robinia wood can be supplied as untreated raw wood or painted with a brown colored transparent pigment that maintains the golden wood color of the wood.

Item no. NRO811-1001	
Installation Information	
Max. fall height	8'6"
Safety surfacing area	215ft ²
Total installation time	3.5
Excavation volume	0.18yd ³
Concrete volume	0.07yd ³
Footing depth (standard)	3'3"
Shipment weight	403lbs
Anchoring options	In-ground ✓
Warranty Information	
Robinia Wood	10 Years
Ropes & nets	10 Years
Spare Parts Availability	10 Years
Stainless steel components	Lifetime

Elevated activities 0	Accessible elevated activities	Accessible ground level activities	Accessible ground level play types
Present	0	1	1
Required	0	1	1



Sustainability Data

NRO811



Cradle to Gate A1-A3	Total CO ₂ emission	CO ₂ e/kg	Recycled materials
	kg CO ₂ e	kg CO ₂ e/kg	%
NRO811-1001	27.85	0.19	1.26

The overall framework applied for these factors is the Environmental Product Declaration (EPD), which quantifies "environmental information on the life cycle of a product and enable comparisons between products fulfilling the same function" (ISO, 2006). This follows the structure and applies a Life-Cycle Assessment approach to the entire Product stage from raw material through manufacturing (A1-A3))

Kompan A/S
 C.F. Tietgens Boulevard 32C
 DK-5220 Odense SØ
 Denmark



Verification of CO₂ calculation of: Nature play



Data version no. 2023-10-05

The CO₂ calculation and data are in compliance with the principles of a carbon footprint impact according to the GHG protocol (Greenhouse Gas Protocol), Scope 3, cradle to gate related to all individual components in the product category: "Nature play" represented by item no.: NRO409-0621.

(Scope 3 emissions include emission sources in the upstream and downstream value chain).

Date: 30. October 2023 | Valid until: 30. October 2025

Verified by:

Julie Marie Vejsgaard Larsen, LCA & EPD Consultant

Verification based on report: Validation of CO₂ calculation of 9 categories of Kompan product line, version 1.0, prepared by: Bureau Veritas HSE, Denmark: Julie M. V. Larsen.

Publication date: 30. October 2023

By Bureau Veritas HSE
 www.bureauveritas.dk
 +45 7731 1000

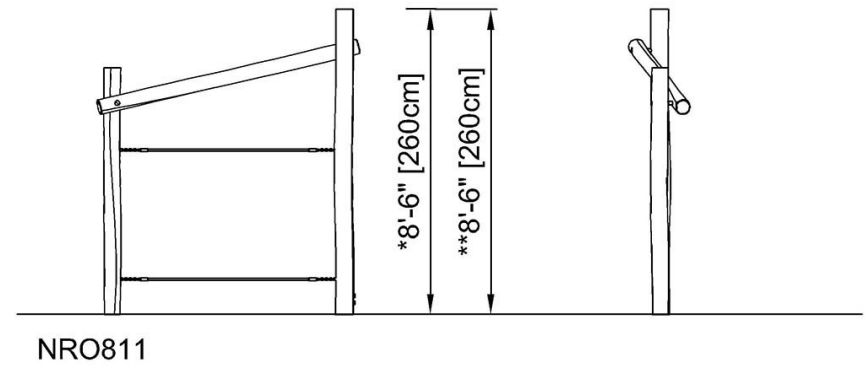
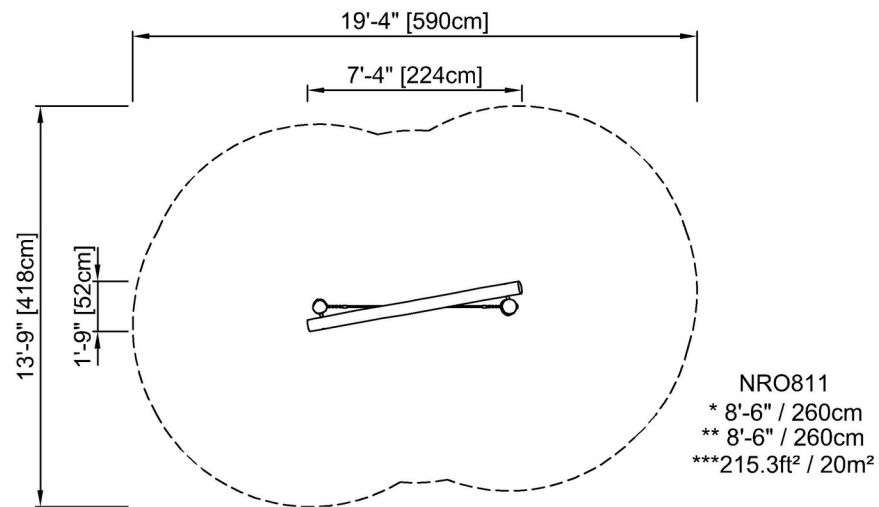


Rope Bridge

NRO811

* Max fall height | ** Total height | *** Safety surfacing area

* Max fall height | ** Total height



[Click to see TOP VIEW](#)

[Click to see SIDE VIEW](#)