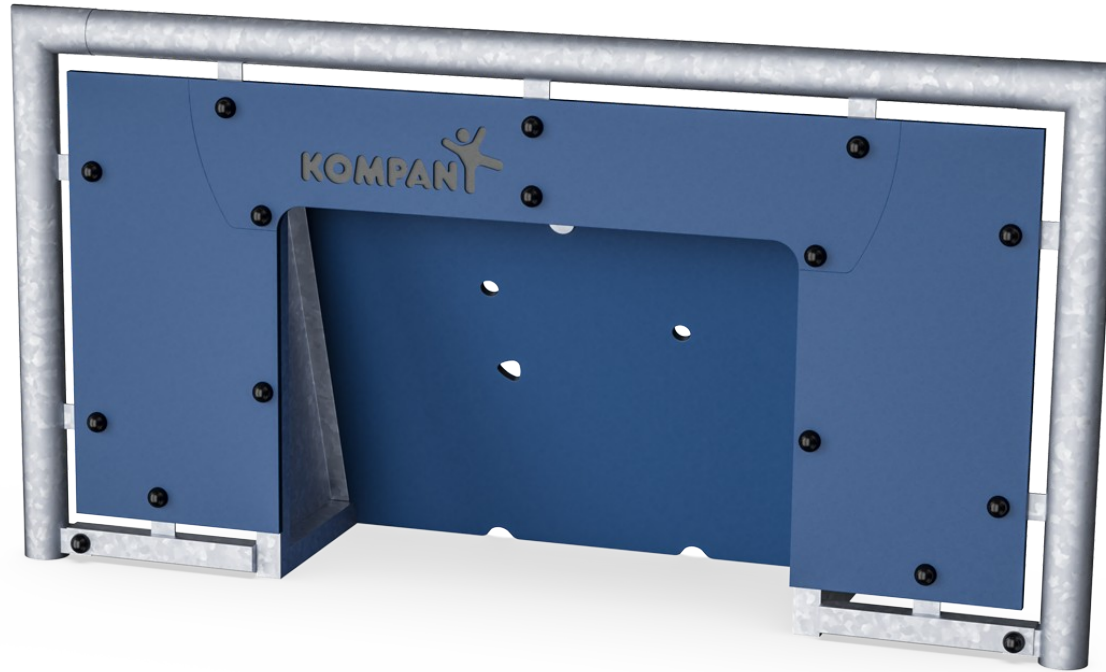


# Cosmos Freestanding Minigoal

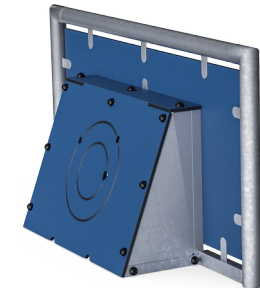
FRE2214



Item no. FRE2214-3317

## General Product Information

Dimensions LxWxH	209x48x108 cm
Age group	3+
Play capacity (users)	-
Colour options	●

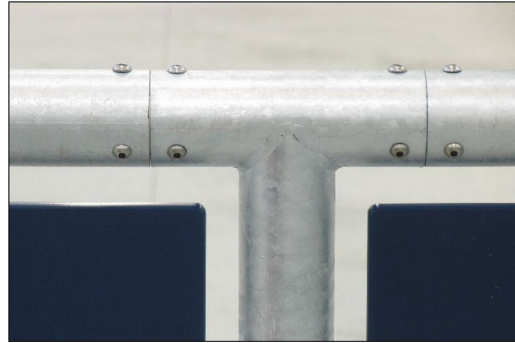
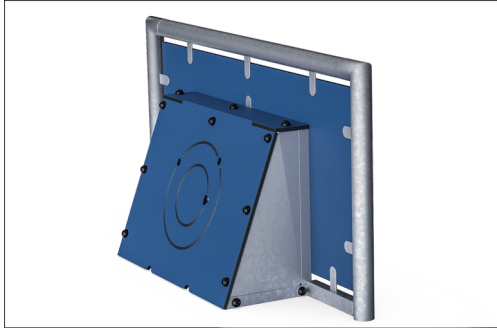


In the lower barriers a mini goal can be added to create a second game space across the centre play area. The minigoal can also be installed as a stand alone item.



# Cosmos Freestanding Minigoal

FRE2214



The HDPE panels are made with +95% recycled post-consumer material from e.g., food packing waste. Available in Night Sky Blue, but multiple colours can be requested. To increase the play value, you can also request HDPE panels with patterns or logos engraved.

All steel components are manufactured from carbon steel, welding's according EN ISO 5817 & Hot dip galvanised (HDG) according to ISO1461. This process ensures good protection in all circumstances.

Item no. FRE2214-3317	
<b>Installation Information</b>	
Max. fall height	0 cm
Safety surfacing area	0.0 m <sup>2</sup>
Total installation time	3.9
Excavation volume	0.32 m <sup>3</sup>
Concrete volume	0.31 m <sup>3</sup>
Footing depth (standard)	50 cm
Shipment weight	144 kg
Anchoring options	In-ground ✓
<b>Warranty Information</b>	
EcoCore HDPE	Lifetime
HDG post	Lifetime
Spare parts guaranteed	10 years



# Sustainability Data

FRE2214



Cradle to Gate A1-A3	Total CO <sub>2</sub> emission	CO <sub>2</sub> e/kg	Recycled materials
	kg CO <sub>2</sub> e	kg CO <sub>2</sub> e/kg	%
<b>FRE2214-3317</b>	198.24	2.09	63.26

The overall framework applied for these factors is the Environmental Product Declaration (EPD), which quantifies "environmental information on the life cycle of a product and enable comparisons between products fulfilling the same function" (ISO, 2006). This follows the structure and applies a Life-Cycle Assessment approach to the entire Product stage from raw material through manufacturing (A1-A3))

**Kompan A/S**  
 C.F. Tietgens Boulevard 32C  
 DK-5220 Odense SØ  
 Denmark



## Verification of CO<sub>2</sub> calculation of: Sport



Data version no. 2023-10-05

The CO<sub>2</sub> calculation and data are in compliance with the principles of a carbon footprint impact according to the GHG protocol (Greenhouse Gas Protocol), Scope 3, cradle to gate related to all individual components in the product category: "Sport" represented by item no.: FRE600202-0901.

(Scope 3 emissions include emission sources in the upstream and downstream value chain).

**Date: 30. October 2023 | Valid until: 30. October 2025**

Verified by:

Julie Marie Vejsgaard Larsen, LCA & EPD Consultant

Verification based on report: Validation of CO<sub>2</sub> calculation of 9 categories of Kompan product line, version 1.0, prepared by: Bureau Veritas HSE, Denmark: Julie M. V. Larsen.

**Publication date: 30. October 2023**

By Bureau Veritas HSE  
 www.bureauveritas.dk  
 +45 7731 1000

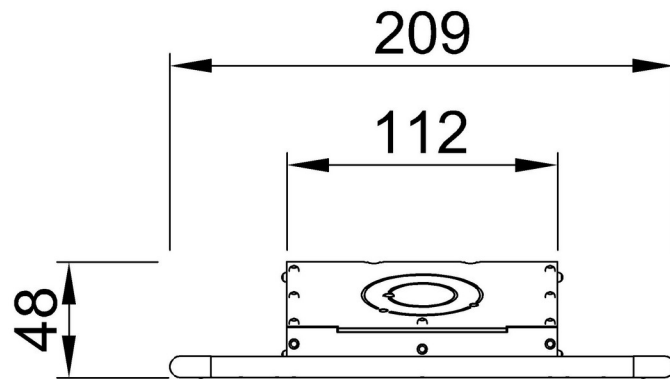


# Cosmos Freestanding Minigoal

FRE2214

\* Max fall height | \*\* Total height | \*\*\* Safety surfacing area

\* Max fall height | \*\* Total height



FRE2214  
\*\*108cm



FRE2214

[Click to see TOP VIEW](#)

[Click to see SIDE VIEW](#)