

# Toddlers Castle

MSC5417

**KOMPAN**  
Let's play



Item no. MSC541701-3417P

## General Product Information

|                       |                                                                                     |
|-----------------------|-------------------------------------------------------------------------------------|
| Dimensions LxWxH      | 277x205x149 cm                                                                      |
| Age group             | 1+                                                                                  |
| Play capacity (users) | 8                                                                                   |
| Colour options        |  |



The Toddlers' castle offers imaginative, physical, social and cognitive stimulation in abundance. The castle attracts the children through its imaginative design and makes it recognizable from afar. Another side of the structure presents a small table for sand play or social interaction. Sliding is additionally a favourite activity among children even at small

ages. The sensation of whizzing through air makes for some unique laughter among the children. Many play values around the structure are found in the form of tactile elements.



# Toddlers Castle

MSC5417



## Slide

**Physical:** sliding develops spatial awareness and a sense of balance. Furthermore, the core muscles are trained when sitting upright going down. **Social-Emotional:** empathy stimulated by turn-taking. **Cognitive:** young children develop their understanding of space, speed and distances when sliding down quickly.



## Stairway

**Physical:** climbing the stairs supports cross coordination as well as arm and leg muscles. **Social-Emotional:** room for active breaks and adult helpers.



## Bubble Window

**Social-Emotional:** invites interaction between outside and inside. **Cognitive:** distorts the sound of the voice, developing logical thinking.



## Desk with ring

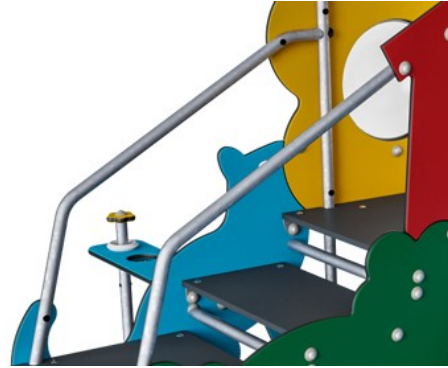
**Social-Emotional:** a place for meeting and exchanging. **Creative:** sand and construction play encouraged with sieve in desk.

# Toddlers Castle

MSC5417



Panels of 19mm EcoCore™. EcoCore™ is a highly durable, eco friendly material, which is not only recyclable after use, but also consists of material produced from +95% recycled post consumer material from food packing waste.



The steel surfaces are hot dip galvanised inside and outside with lead free zinc. The galvanisation has excellent corrosion resistance in outside environments and requires low maintenance.



Platform and seats are made of HPL with a thickness of 17,8mm with a very high wearing strength and a unique KOMPAN nonskid surface texture.

Item no. MSC541701-3417P

## Installation Information

|                          |                          |
|--------------------------|--------------------------|
| Max. fall height         | 100 cm                   |
| Safety surfacing area    | 19.7 m <sup>2</sup>      |
| Total installation time  | 8.9                      |
| Excavation volume        | 0.30 m <sup>3</sup>      |
| Concrete volume          | 0.00 m <sup>3</sup>      |
| Footing depth (standard) | 60 cm                    |
| Shipment weight          | 198 kg                   |
| Anchoring options        | In-ground ✓<br>Surface ✓ |

## Warranty Information

|                          |          |
|--------------------------|----------|
| EcoCore HDPE             | Lifetime |
| Hot dip galvanised steel | Lifetime |
| Movable parts            | 2 years  |
| Spare parts guaranteed   | 10 years |



On the side of the wall there is a transparent bubble made from UV-stabilised PC.



The slide bed can be chosen in different materials: Straight moulded PE or stainless steel slide bed t=2mm. Sides of the slides are made of EcoCore™.



Sand strainer is made of high-quality stainless steel to ensure durability of the product.



# Sustainability Data

MSC5417



| Cradle to Gate A1-A3   | Total CO <sub>2</sub> emission | CO <sub>2</sub> e/kg    | Recycled materials |
|------------------------|--------------------------------|-------------------------|--------------------|
|                        | kg CO <sub>2</sub> e           | kg CO <sub>2</sub> e/kg | %                  |
| <b>MSC541701-3417P</b> | 282.59                         | 1.95                    | 54.22              |

The overall framework applied for these factors is the Environmental Product Declaration (EPD), which quantifies "environmental information on the life cycle of a product and enable comparisons between products fulfilling the same function" (ISO, 2006). This follows the structure and applies a Life-Cycle Assessment approach to the entire Product stage from raw material through manufacturing (A1-A3))

**Kompan A/S**  
 C.F. Tietgens Boulevard 32C  
 DK-5220 Odense SØ  
 Denmark



## Verification of CO<sub>2</sub> calculation of: Themed play systems



Data version no. 2023-10-05

The CO<sub>2</sub> calculation and data are in compliance with the principles of a carbon footprint impact according to the GHG protocol (Greenhouse Gas Protocol), Scope 3, cradle to gate related to all individual components in the product category: "Themed play systems" represented by item no.: MSC641100-3717P.

(Scope 3 emissions include emission sources in the upstream and downstream value chain).

**Date: 30. October 2023 | Valid until: 30. October 2025**

**Verified by:**

Julie Marie Vejsgaard Larsen, LCA & EPD Consultant

Verification based on report: Validation of CO<sub>2</sub> calculation of 9 categories of Kompan product line, version 1.0, prepared by: Bureau Veritas HSE, Denmark: Julie M. V. Larsen.

**Publication date: 30. October 2023**

**By Bureau Veritas HSE**  
 www.bureauveritas.dk  
 +45 7731 1000

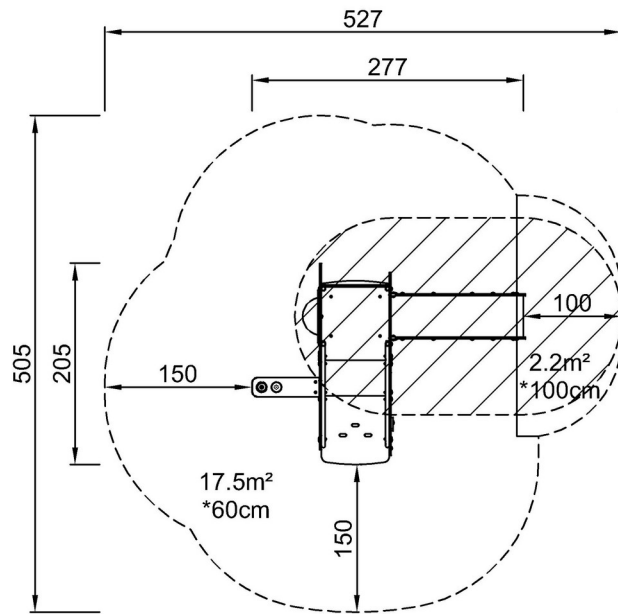


# Toddlers Castle

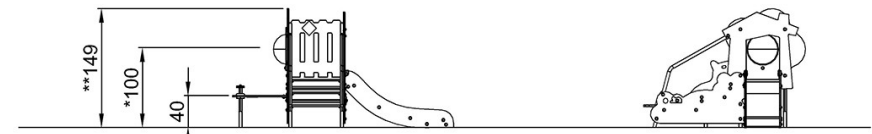
MSC5417

\* Max fall height | \*\* Total height | \*\*\* Safety surfacing area

\* Max fall height | \*\* Total height



MSC541701P  
\*100cm  
\*\*149cm  
\*\*\*19.7m<sup>2</sup>



MSC541701P

[Click to see TOP VIEW](#)

[Click to see SIDE VIEW](#)