

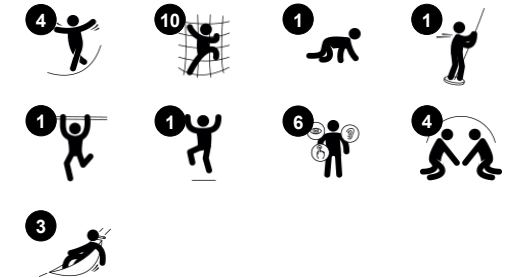
Butterfly, Physical

COR17510

Item no. COR175101-0403

General Product Information

Dimensions LxWxH	685x571x308 cm
Age group	5+
Play capacity (users)	22
Colour options	



The elegantly curved Butterfly is a statement for climbing. With its twisted climbs, the Butterfly invites you to climb again and again. Thanks to the transparency of the Butterfly nets, the children can see each other and communicate across the wings. And there are lots to talk about and try out: the twisted nets stimulate clever climbing and balancing

techniques, which stimulate the child's cross-coordination and proprioception, both important for precise movements and ultimately for moving confidently through the world. With the visible heights adding to the thrill there are faster and slower ways across and up into the Butterfly: curved climbers add fast access to the top frame, and banister bars offer a fast

glide to the ground. At ground level, balance disks suspended in ropes add swaying balancing movements, standing or seated. The sense of balance is crucial for training body control and concentration.

Butterfly, Physical

COR17510



Large climbing net

Physical: the connected nets make the climbers feel the movements of the other climbers. All muscle groups are trained, as well as cross coordination. **Social-Emotional:** room for breaks for many and support cooperation and turn-taking skills.



Climbing pole

Physical: cross coordination and muscle strength are trained. **Social-Emotional:** turn-taking and cooperation.



Vertical climbing funnel

Physical: develops cross coordination and trains major muscles when climbing up or down. **Social-Emotional:** socialising and friendly competition when climbing up and down with friends.



Banister bars

Physical: supports coordination, arm and core muscles. Landing strengthens bone density. **Social-Emotional:** turn-taking and risk-taking.



Ropes with rubber discs

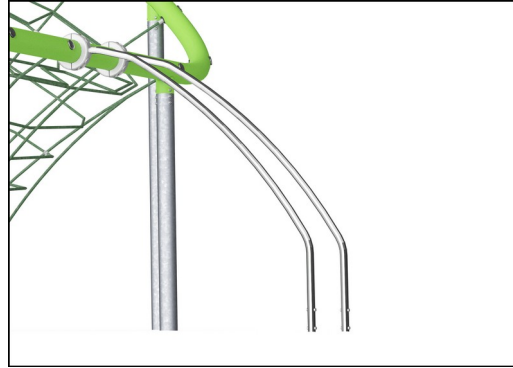
Physical: children develop cross-body coordination and muscle strength when climbing the rope. Their sense of balance is trained when swaying gently. **Social-Emotional:** socialising and turn-taking when deciding who should sit here.

Butterfly, Physical

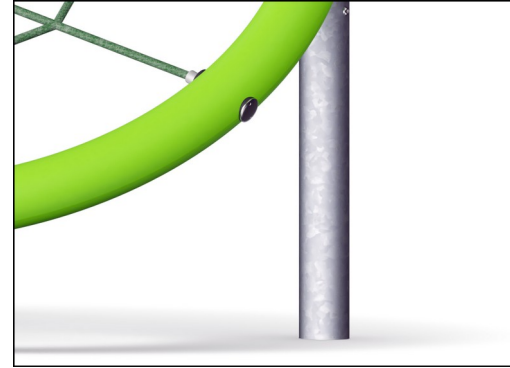
COR17510



Fully coloured EPDM rubber discs with smooth surface. The moulded EPDM surrounds a hot-dip galvanised steel core that ensures both the stability of the discs and durable fixtures to the rope.



The stainless steel activities are made of high-quality stainless steel. The steel is glass blasted after manufacturing to ensure a smooth gliding surface.



Colored steel components have a base of hot dip galvanization and a powder coated top finish. This provides an ultimate corrosion resistance in all climates around the world. Other steel surfaces are hot dip galvanized inside and outside with lead free zinc.



Corocord ropes with 19mm+ diameter are known as a 'Hercules' rope type which is formed from galvanised six-stranded steel wires. Each strand is tightly wrapped with PES yarn, which is melted onto each individual strand. Ropes are highly wear-and vandalism-resistant and can be easily replaced on-site if needed.



Designed to allow the typical function of rope play structures to move Corocord 'S' clamps are used as universal connections in Corocord products. 8mm stainless steel rods with rounded edges are pressed around the ropes with a special hydraulic press, making them the ideal connector. Our clamps are safe, durable and vandalism-proof.



The rope is fixed to the large steel pipe by a unique KOMPAN designed tightening solution. It consists of inner and outer nylon (PA6) bushings that guides the rope to an outside threaded stainless steel part that tightens the rope.

Item no. COR175101-0403

Installation Information

Max. fall height	300 cm
Safety surfacing area	58.8 m ²
Total installation time	22.0
Excavation volume	16.80 m ³
Concrete volume	5.89 m ³
Footing depth (standard)	60 cm
Shipment weight	1,610 kg
Anchoring options	In-ground ✓

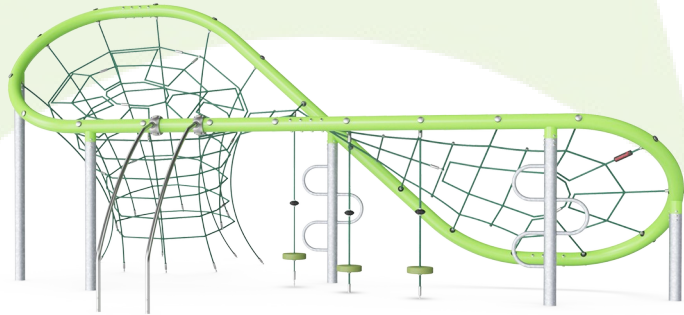
Warranty Information

Galvanised Steel	Lifetime
Painted Toplayer	10 years
Ropes & Nets	10 years
Spare Parts Guarantee	10 years
Stainless Steel Components	Lifetime



Sustainability Data

COR17510



Cradle to Gate A1-A3	Total CO ₂ emission	CO ₂ e/kg	Recycled materials
	kg CO ₂ e	kg CO ₂ e/kg	%
COR175101-0403	2,935.54	2.79	49.57

The overall framework applied for these factors is the Environmental Product Declaration (EPD), which quantifies "environmental information on the life cycle of a product and enable comparisons between products fulfilling the same function" (ISO, 2006). This follows the structure and applies a Life-Cycle Assessment approach to the entire Product stage from raw material through manufacturing (A1-A3))

Kompan A/S
C.F. Tietgens Boulevard 32C
DK-5220 Odense SØ
Denmark



Verification of CO₂ calculation of: Corocord



Data version no. 2023-10-05

The CO₂ calculation and data are in compliance with the principles of a carbon footprint impact according to the GHG protocol (Greenhouse Gas Protocol), Scope 3, cradle to gate related to all individual components in the product category: "Corocord" represented by item no.: COR314011-1101.

(Scope 3 emissions include emission sources in the upstream and downstream value chain).

Date: 30. October 2023 | Valid until: 30. October 2025

Verified by:

Julie Marie Vejsgaard Larsen, LCA & EPD Consultant

Verification based on report: Validation of CO₂ calculation of 9 categories of Kompan product line, version 1.0, prepared by: Bureau Veritas HSE, Denmark: Julie M. V. Larsen.

Publication date: 30. October 2023

By Bureau Veritas HSE
www.bureauveritas.dk
+45 7731 1000

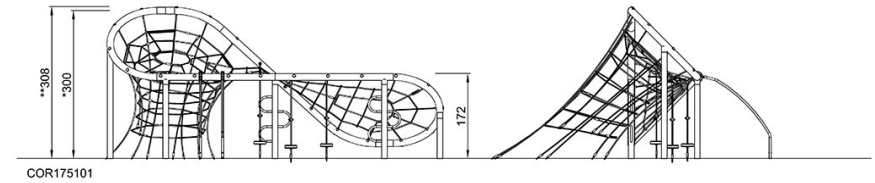
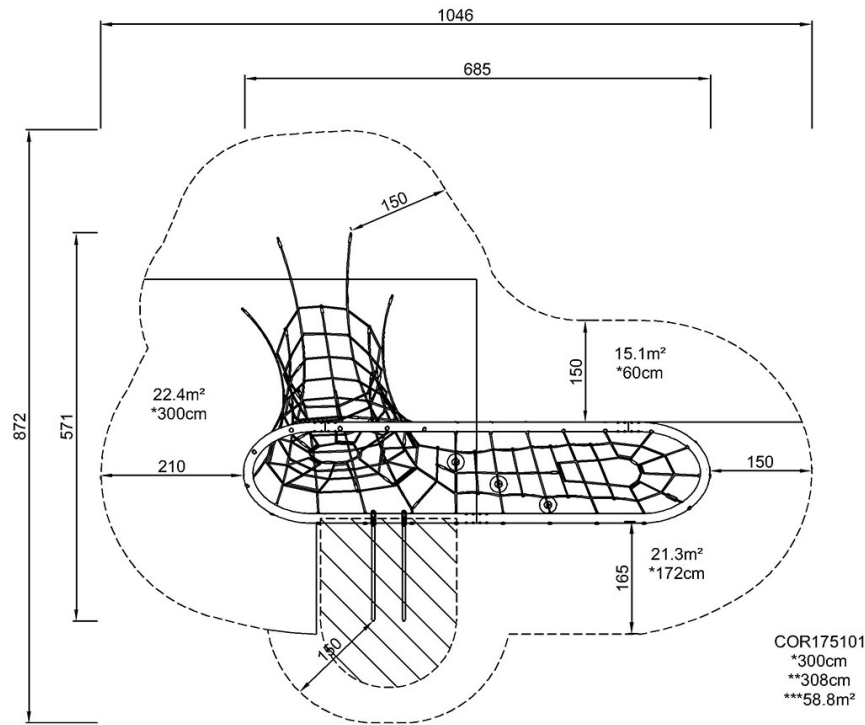


Butterfly, Physical

COR17510

* Max fall height | ** Total height | *** Safety surfacing area

* Max fall height | ** Total height



[Click to see TOP VIEW](#)

[Click to see SIDE VIEW](#)