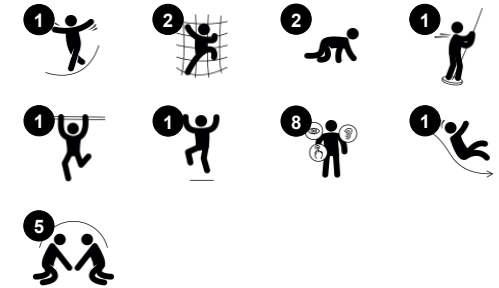


Two Tower with Tunnel

PCM210121



Item no. PCM210121-0905	
General Product Information	
Dimensions LxWxH	486x309x230 cm
Age group	4+
Play capacity (users)	9
Color options	



The rich variation of play in the Double Tower & Net Tunnel will inspire play again and again. The graded play events with inclined climbing wall or steel ladder train children's cross-coordination and awareness. The net tunnel is a fun as a crawling and climbing event: the child uses both creeping and stretching to get across. These motor skills helps the body

navigate the world confidently and safely. The fast slide and even faster fireman's pole are hugely thrilling. Additionally they train the child's balance and the posture. These are fundamental for the ability to e.g. sit still and concentrate.

Two Tower with Tunnel

PCM210121



Panels of 19mm EcoCore™. EcoCore™ is a highly durable, eco friendly material, which is not only recyclable after use, but also consists of material produced from +95% recycled post consumer material from food packing waste.

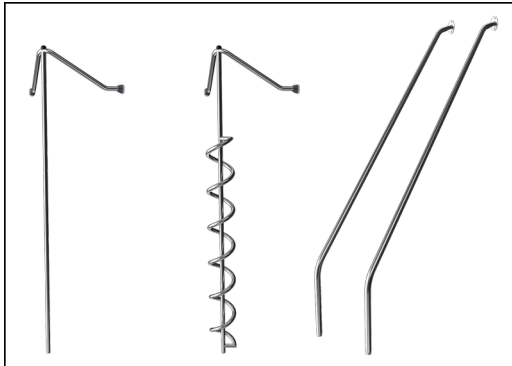


All decks are supported by unique designed low-carbon aluminum profiles with multiple attachment options. The grey colored molded decks are made of 75% post-consumer waste PP material with a non-skid pattern and texture surface.



Main posts with hot dip galvanized steel footing are available in different materials: Pressure impregnated pine wood posts. Pre-galvanized inside and outside with powder coated top finish steel posts. Lead free aluminum with color anodized top finish. Greenline TexMade posts of 95% post-consumer recycled PE and textile waste.

Item no. PCM210121-0905	
Installation Information	
Max. fall height	216 cm
Safety surfacing area	34.8 m ²
Total installation time	11.5
Excavation volume	0.55 m ³
Concrete volume	0.00 m ³
Footing depth (standard)	90 cm
Shipment weight	363 kg
Anchoring options	In-ground ✓ Surface ✓



The stainless-steel activities are made of high-quality stainless steel. The steel is cleaned by a total pickling process after manufacturing to ensure a smooth and clean gliding surfaces.



The slides can be chosen in six different colors and three materials: Straight or curved one-piece molded PE slides, made from 33% recycled post-consumer materials in different colours. Combined EcoCore™ sides and stainless-steel. Full stainless steel in one piece design for more vandalism proof solutions.



KOMPAN GreenLine versions are designed with ultimate environmentally friendly materials with lowest possible CO2e emission factor. TexMade post, EcoCore™ panels of 95% post-consumer recycled waste and molded PP decks.



Sustainability Data

PCM210121



Cradle to Gate A1-A3	Total CO ₂ emission	CO ₂ e/kg	Recycled materials
	kg CO ₂ e	kg CO ₂ e/kg	%
PCM210121-0951	693.00	2.06	65.20
PCM210121-0905	805.60	3.09	46.00

The overall framework applied for these factors is the Environmental Product Declaration (EPD), which quantifies "environmental information on the life cycle of a product and enable comparisons between products fulfilling the same function" (ISO, 2006). This follows the structure and applies a Life-Cycle Assessment approach to the entire Product stage from raw material through manufacturing (A1-A3))

Kompan A/S
 C.F. Tietgens Boulevard 32C
 DK-5220 Odense SØ
 Denmark



Verification of CO₂ calculation of: Play systems



Data version no. 2023-10-05

The CO₂ calculation and data are in compliance with the principles of a carbon footprint impact according to the GHG protocol (Greenhouse Gas Protocol), Scope 3, cradle to gate related to all individual components in the product category: "Play systems" represented by item no.: PCM200321-0950.

(Scope 3 emissions include emission sources in the upstream and downstream value chain).

Date: 30. October 2023 | Valid until: 30. October 2025

Verified by:

Julie Marie Vejsgaard Larsen, LCA & EPD Consultant

Verification based on report: Validation of CO₂ calculation of 9 categories of Kompan product line, version 1.0, prepared by: Bureau Veritas HSE, Denmark: Julie M. V. Larsen.

Publication date: 30. October 2023

By Bureau Veritas HSE
 www.bureauveritas.dk
 +45 7731 1000

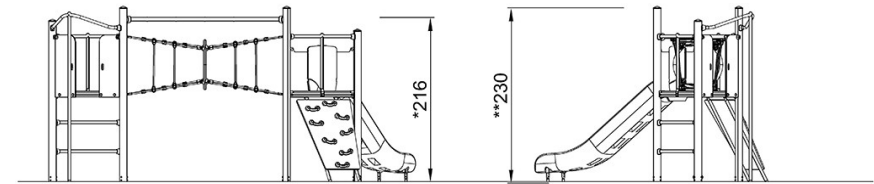
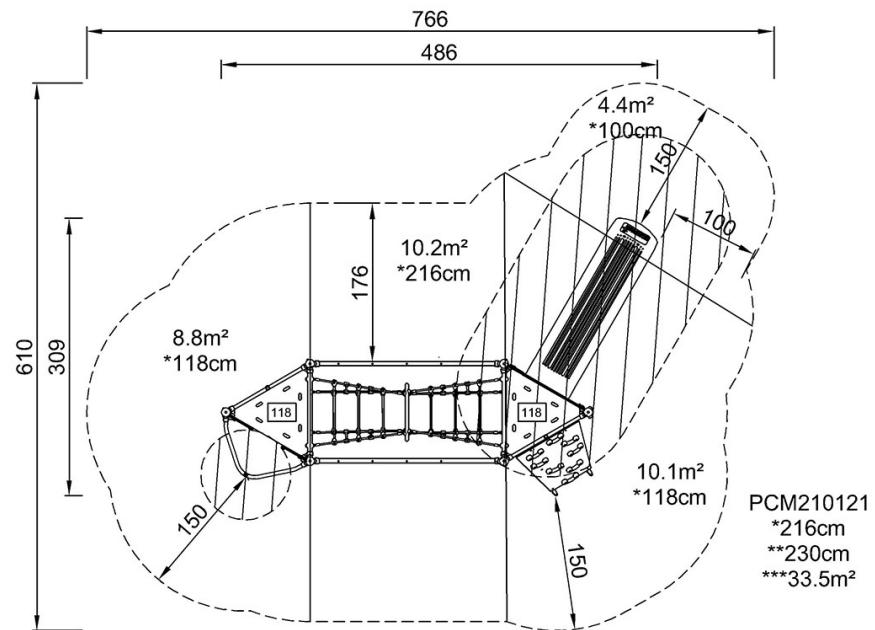


Two Tower with Tunnel

PCM210121

* Max fall height | ** Total height | *** Safety surfacing area

* Max fall height | ** Total height



PCM210121

[Click to see TOP VIEW](#)

[Click to see SIDE VIEW](#)