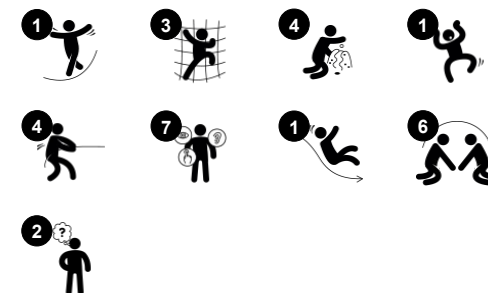


Little Beaver's Stream

NRO2013



Item no. NRO2013-1021	
General Product Information	
Dimensions LxWxH	498x453x281 cm
Age group	1+
Play capacity (users)	16
Colour options	



The Little Beaver's Stream is an activity-packed, ground-level accessible play unit that offers a richness of home-themed play to excite toddlers. With its density of activities and many tactile features, The Little Beaver's Stream greatly increases play value and support for the retention and the emerging dramatic play in toddlers. This has been proven through various KOMPAN Play Institute studies of these pieces. The scale of the Little Beaver's Stream is perfectly shaped for toddlers. The desk adds to the overall playability and gives a quieter meeting point at the access stairway. The

steering wheel and desk with rollers invite dramatic play and have high attraction as they can be shifted and touched, stimulating language development and logical thinking skills. The curved bridge stimulates the sense of balance and space, as toddlers feel high up and need to balance the curved floor. The bridge additionally inspires numerous games of being above, below, over, and under, which again informs a spatial awareness that builds the fundament for mathematical skills: higher than and lower than. The lovely slide is looped greatly with the transfer platform, allowing for

easy assistance for less mobile users. The transparency of the Little Beaver's Stream works wonders for the overall communication and cooperation with friends across and from inside to outside, supporting turn-taking and cooperation skills. Dramatic play supports language skills, and this unit welcomes the first try-outs of dramatic play with its many details and fun corners. It is an intriguing structure for toddler play, bound to attract toddlers again and again.



Data is subject to change without prior notice.

Little Beaver's Stream

NRO2013



Bridge

Physical: cross coordination, spatial awareness. **Social-Emotional:** transparency invite cooperation with children on the outside.



Side desk

Social-Emotional: fine meeting place and a space creator. Sharing and cooperation from both sides to create a social scenario that supports communication and cooperation.



Gearshift panel

Social-Emotional: cooperation, turn-taking, sharing. **Cognitive:** supports dramatic play, which stimulates languages and communication skills. **Creative:** changing the position of the gear, leaving your mark.



Stairs

Physical: cross coordination is used, supporting the cooperation of the left and right halves of the brain, which. For young children.



Window with curtains

Physical: tactile stimulation supports sensory skills, when children explore the characteristics of the materials. **Social-Emotional:** social interaction between inside and outside, supporting turn-taking and cooperation. **Cognitive:** understanding of object permanence playing peek-a-boo. Dramatic play support, encouraging language skills. **Creative:** leaving a mark, deciding how to place curtains.



Slide

Physical: develops spatial awareness, sense of balance and trains core muscles when sitting upright going down. **Social-Emotional:** empathy stimulated by turn-taking. **Cognitive:** young children develop their understanding of space, speed and distances when sliding down.

Little Beaver's Stream

NRO2013



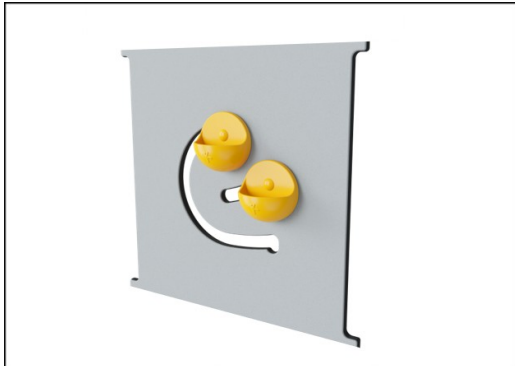
All organic Robinia products by KOMPAN are made of Robinia wood which is sourced from sustainable plantation farms. On request it can be supplied as FSC® Certified (FSC® C004450).



The product/activities are preassembled from the factory to ensure all safety requirements are considered.



The paint used for coloured components is water-based, which is environmentally friendly and has excellent UV resistance. The paint is compliant with Australian Standards.



Panels of 19mm EcoCore™. EcoCore™ is a highly durable, eco-friendly material, which is not only recyclable after use but also consists of a core produced from 100% recycled material.



There are multiple footing options for all products: Surface anchoring with steel footings and expansion bolts, or wood in-ground or steel in-ground footings.



Robinia products are available in three different wood treatment options; untreated Robinia wood or brown painted with a pigment that maintains the wood colour and coloured version with paint of selected components.

Item no. NRO2013-1021

Installation Information

Max. fall height	100 cm
Safety surfacing area	42.8 m ²
Total installation time	35.7
Excavation volume	2.29 m ³
Concrete volume	0.00 m ³
Footing depth (standard)	100 cm
Shipment weight	1,605 kg
Anchoring options	In-ground ✓ Surface ✓

Warranty Information

EcoCore HDPE	Lifetime
Galvanised Steel	Lifetime
Robinia Wood	15 years
Spare Parts Guarantee	10 years
Stainless Steel Components	Lifetime



Sustainability Data

NRO2013



Cradle to Gate A1-A3	Total CO ₂ emission	CO ₂ e/kg	Recycled materials
	kg CO ₂ e	kg CO ₂ e/kg	%
NRO2013-1021	479.32	0.37	4.99

The overall framework applied for these factors is the Environmental Product Declaration (EPD), which quantifies "environmental information on the life cycle of a product and enable comparisons between products fulfilling the same function" (ISO, 2006). This follows the structure and applies a Life-Cycle Assessment approach to the entire Product stage from raw material through manufacturing (A1-A3))

Kompan A/S
 C.F. Tietgens Boulevard 32C
 DK-5220 Odense SØ
 Denmark



Verification of CO₂ calculation of: Nature play



Data version no. 2023-10-05

The CO₂ calculation and data are in compliance with the principles of a carbon footprint impact according to the GHG protocol (Greenhouse Gas Protocol), Scope 3, cradle to gate related to all individual components in the product category: "Nature play" represented by item no.: NRO409-0621.

(Scope 3 emissions include emission sources in the upstream and downstream value chain).

Date: 30. October 2023 | Valid until: 30. October 2025

Verified by:

Julie Marie Vejsgaard Larsen, LCA & EPD Consultant

Verification based on report: Validation of CO₂ calculation of 9 categories of Kompan product line, version 1.0, prepared by: Bureau Veritas HSE, Denmark: Julie M. V. Larsen.

Publication date: 30. October 2023

By Bureau Veritas HSE
 www.bureauveritas.dk
 +45 7731 1000

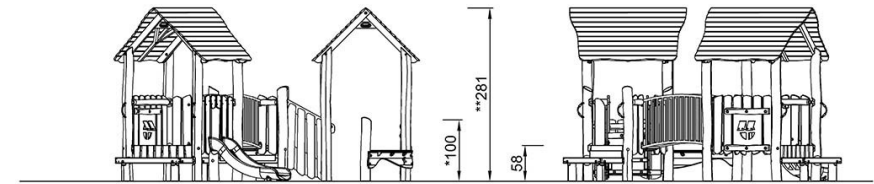
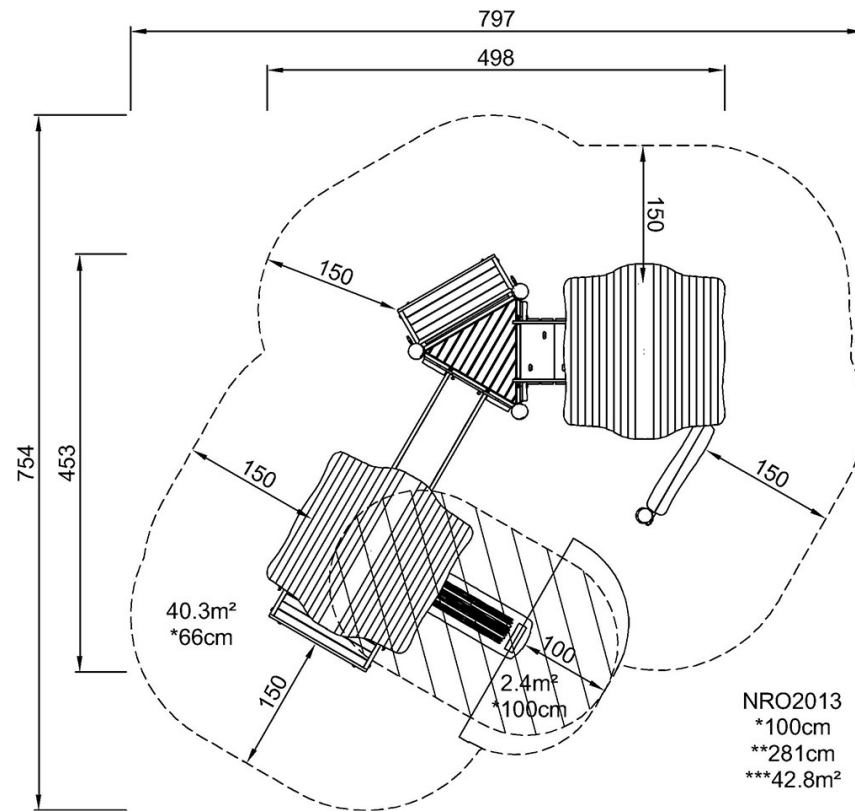


Little Beaver's Stream

NRO2013

* Max fall height | ** Total height | *** Safety surfacing area

* Max fall height | ** Total height



[Click to see TOP VIEW](#)

[Click to see SIDE VIEW](#)