

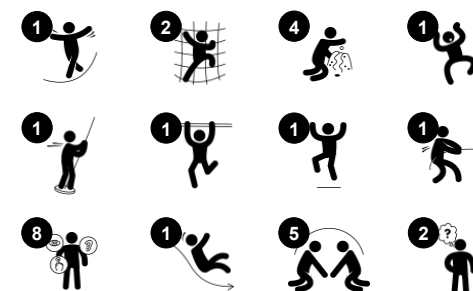
# Fish Factory with Track Ride

PCM52621

**KOMPAN**  
Let's play



Item no. PCM52621-0901	
General Product Information	
Dimensions LxWxH	649x540x350 cm
Age group	6+
Play capacity (users)	16
Color options	<span style="color: blue;">●</span>



The fabulous Fish Factory with Track Ride is the wealth of fun play choices that children dream of returning to again and again. On ground level, an amazing play panel with turnable wheels that give out varied sounds invites exploration and inspires dramatic play. The correspondence with the sand hoist that goes to the platform widens the play invitation

and motivates physical activity when children move up and down the play structure, training their cross-coordination and muscles and thus building muscles and movement skills that will help them navigate the world confidently. The hugely thrilling Track Ride appeals to dare devils and invites cooperative fun play, training children's social abilities such as empathy and

turn-taking. The Fish Factory is a place where friendships are made.

# Fish Factory with Track Ride

PCM52621



## Sand hoist

**Physical:** pulling the chain trains hand and arm muscles as well as the coordination.  
**Social-Emotional:** cooperation and turn-taking skills are supported when cooperating on filling and hoisting sand up and down.  
**Cognitive:** logical thinking skills are trained when understanding that pulling down makes the sand shovel go up. **Creative:** working with moveable play items supports the child's creativity.



## Theme

**Cognitive:** suggests a theme and supports dramatic play, which stimulates language and communication skills.



## Sand bucket

**Physical:** cross coordination thereby developing cooperation of left and right brain half which is necessary for academic skills such as reading. **Cognitive:** understanding of object permanence, emptying and filling bucket.



## Funnel

**Social-Emotional:** trains cooperation and turn-taking as children put materials into the funnel. **Cognitive:** the passing of materials through funnels supports the children's logical thinking and for younger children the understanding of object permanence: that materials don't vanish but run through at the other end.



## Rock climber

**Physical:** supports cross coordination and leg, arm and hand strength. **Social-Emotional:** the inclination makes climbing feel secure, especially for younger children.



## Binoculars

**Cognitive:** the binoculars set a tangible theme and thus spur dramatic play. Dramatic play is a great trainer of language and communication skills. **Creative:** the binoculars can be turned in all directions. Looking through them gives a new perspective on the world.



## Track Ride

**Physical:** train arm and core muscles. Bone density when jumping down from the handholds and motor skills like agility, balance and coordination are supported. **Social-Emotional:** cooperation, consideration, turn-taking, risk-taking, self-confidence.

# Fish Factory with Track Ride

PCM52621



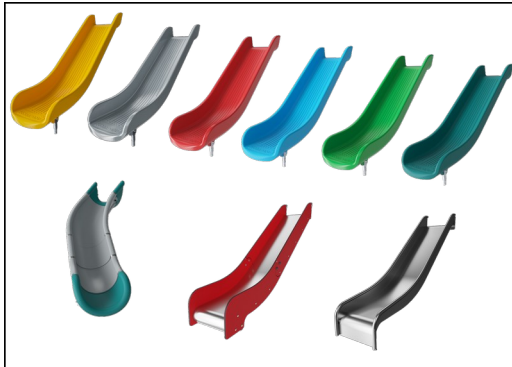
Panels of 19mm EcoCore™. EcoCore™ is a highly durable, eco friendly material, which is not only recyclable after use, but also consists of material produced from +95% recycled post consumer material from food packing waste.



Main posts with hot dip galvanized steel footing are available in different materials: Pre-galvanized inside and outside with powder coated top finish steel posts. Lead free aluminum with color anodized top finish. TexMade posts of 95% post-consumer recycled PE and textile waste.



All decks are supported by unique designed low-carbon aluminum profiles with multiple attachment options. The grey colored molded decks are made of 75% post-consumer waste PP material with a non-skid pattern and texture surface.



The slides can be chosen in six different colors and three materials: Straight or curved one-piece molded PE slides, made from 33% recycled post-consumer materials in different colours. Combined EcoCore™ sides and stainless-steel. Full stainless steel in one piece design for more vandalism proof solutions.



Ropes of UV-stabilized PES rope strands with inner steel cable reinforcement. The polyester yarn is made from +95% post-consumer materials and is inductively melted onto each strand.



KOMPAN GreenLine versions are designed with ultimate environmentally friendly materials with lowest possible CO2e emission factor. TexMade post, EcoCore™ panels of 95% post-consumer recycled waste and molded PP decks.

Item no. PCM52621-0901

### Installation Information

Max. fall height	118 cm
Safety surfacing area	47.6 m <sup>2</sup>
Total installation time	21.4
Excavation volume	0.72 m <sup>3</sup>
Concrete volume	0.05 m <sup>3</sup>
Footing depth (standard)	90 cm
Shipment weight	815 kg
Anchoring options	Surface ✓ In-ground ✓

### Warranty Information

EcoCore HDPE	Lifetime
Post	10 years
PP Decks	10 years
Ropes & nets	10 years
Spare parts guaranteed	10 years

# Sustainability Data

PCM52621



## Cradle to Gate A1-A3

Total CO <sub>2</sub> emission	CO <sub>2</sub> e/kg	Recycled materials
kg CO <sub>2</sub> e	kg CO <sub>2</sub> e/kg	%
<b>PCM52621-0901</b>	1,102.18	68.46

The overall framework applied for these factors is the Environmental Product Declaration (EPD), which quantifies "environmental information on the life cycle of a product and enable comparisons between products fulfilling the same function" (ISO, 2006). This follows the structure and applies a Life-Cycle Assessment approach to the entire Product stage from raw material through manufacturing (A1-A3))

**Kompan A/S**  
C.F. Tietgens Boulevard 32C  
DK-5220 Odense SØ  
Denmark



## Verification of CO<sub>2</sub> calculation of: Play systems



Data version no. 2023-10-05

The CO<sub>2</sub> calculation and data are in compliance with the principles of a carbon footprint impact according to the GHG protocol (Greenhouse Gas Protocol), Scope 3, cradle to gate related to all individual components in the product category: "Play systems" represented by item no.: PCM200321-0950.

(Scope 3 emissions include emission sources in the upstream and downstream value chain).

**Date: 30. October 2023 | Valid until: 30. October 2025**

Verified by:

Julie Marie Vejsgaard Larsen, LCA & EPD Consultant

Verification based on report: Validation of CO<sub>2</sub> calculation of 9 categories of Kompan product line, version 1.0, prepared by: Bureau Veritas HSE, Denmark: Julie M. V. Larsen.

**Publication date: 30. October 2023**

By Bureau Veritas HSE  
www.bureauveritas.dk  
+45 7731 1000

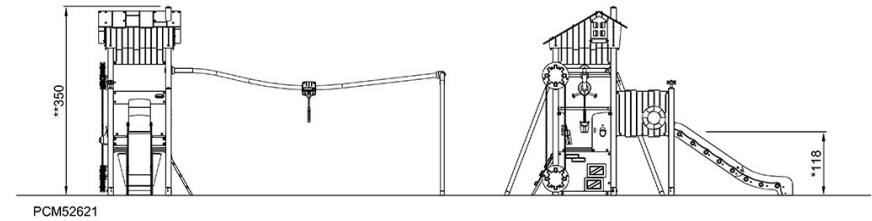
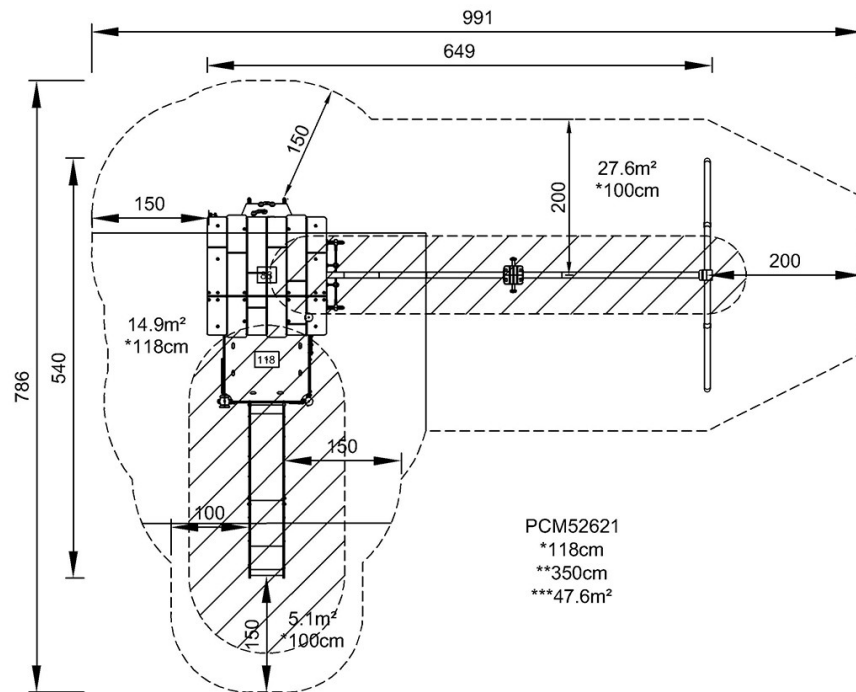


# Fish Factory with Track Ride

PCM52621

\* Max fall height | \*\* Total height | \*\*\* Safety surfacing area

\* Max fall height | \*\* Total height



[Click to see TOP VIEW](#)

[Click to see SIDE VIEW](#)