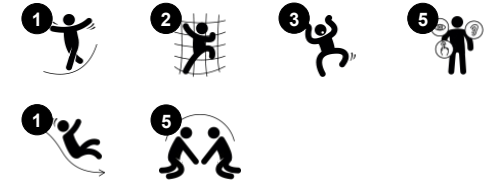


Castle Spire Tower

PCM102931



Item no. PCM102931-0901	
General Product Information	
Dimensions LxWxH	10'11"x10'0"x13'5"
Age group	2 - 5
Play capacity (users)	12
Color options	●



A lot of play in little space: the Castle Spire Tower will inspire young children to play actively and imaginatively, climbing to the top and sliding to the ground, again and again. The climber access provides an age-appropriate challenge to strengthen muscles and help develop cross-coordination skills. This enhances children's abilities to use both sides

of their brain and supports the internal structures that enable reading and thinking. On the platform, a balcony invites to a view of the playground, adding a feeling of thrilling height. Sliding is also immensely thrilling and it supports posture and balance, both important skills for young children as they grow. They are the foundation for all other physical skills and

build up confidence to navigate the world securely. The play inspires dramatic play with castle and treasure themes. The treasure box under deck is a popular place to store things. For young children, this stimulates the understanding of object permanence, that things can exist even if they are out of sight.



Castle Spire Tower

PCM102931



Cannon

Cognitive: the cannon sets a tangible theme and spurs dramatic play. Dramatic play supports language and communication skills.



Treasure box

Cognitive: object permanence: hiding objects and finding them again. Spurs exploration and dramatic play, stimulating conversations.



Desk

Social-Emotional: fine meeting place and a space creator. Sharing and cooperation from both sides create a social scenario that supports communication and cooperation.



Slide

Physical: sliding develops spatial awareness and a sense of balance. Furthermore, the core muscles are trained when sitting upright going down. **Social-Emotional:** empathy stimulated by turn-taking. **Cognitive:** young children develop their understanding of space, speed and distances when sliding down quickly.



Theme

Cognitive: suggests a theme and supports dramatic play, which stimulates language and communication skills.



Accessible stairway

Physical: climbing the accessible stairway is for all and supports cross coordination as well as arm and leg muscles. For young children, walking stairs and alternating feet is developed. **Social-Emotional:** room for active breaks and adult helpers. An inclusive space.

Castle Spire Tower

PCM102931



Panels of 19mm EcoCore™. EcoCore™ is a highly durable, eco friendly material, which is not only recyclable after use, but also consists of a core produced from 100% recycled material.



Main posts with hot dip galvanized steel footing are available in different materials: Pressure impregnated pine wood posts. Pre-galvanized inside and outside with powder coated top finish steel posts. Lead free aluminium with color anodized top finish.



All decks are supported by uniquely designed low-carbon aluminum profiles with multiple attachment options. The grey-colored molded decks are made of 75% post-consumer ocean waste PP material with a non-skid pattern and texture surface.

Item no. PCM102931-0901	
Installation Information	
Max. fall height	3'10"
Safety surfacing area	379ft²
Total installation time	16.6
Excavation volume	1.2yd³
Concrete volume	0.5yd³
Footing depth (standard)	2'11"
Shipment weight	1033lbs
Anchoring options	In-ground ✓ Surface ✓
Warranty Information	
EcoCore HDPE	Lifetime
Post	10 Years
PP Decks	10 Years
Spare Parts Availability	10 Years



The slides can be chosen in different materials and colors: Straight or curved molded PE slides in yellow or grey color. Full stainless steel in on-piece design for more vandalism proof solutions.



KOMPAN Play Systems can be customized to match individual demands. Visit the products www.KOMPAN.us to see options with the digital KOMPAN Solution Planner. Multiple options for panels, decks, posts, slides, and other play activities ensure durable solutions in any outdoor environment.

Elevated activities 4	Accessible elevated activities	Accessible ground level activities	Accessible ground level play types
Present	2	0	0
Required	2	1	1

**ASTM
F1487**
compliant

Sustainability Data

PCM102931



Cradle to Gate A1-A3	Total CO ₂ emission	CO ₂ e/kg	Recycled materials
	kg CO ₂ e	kg CO ₂ e/kg	%
PCM102931-0901	586.04	1.63	69.03

The overall framework applied for these factors is the Environmental Product Declaration (EPD), which quantifies "environmental information on the life cycle of a product and enable comparisons between products fulfilling the same function" (ISO, 2006). This follows the structure and applies a Life-Cycle Assessment approach to the entire Product stage from raw material through manufacturing (A1-A3))

Kompan A/S
 C.F. Tietgens Boulevard 32C
 DK-5220 Odense SØ
 Denmark



Verification of CO₂ calculation of: Themed play systems



Data version no. 2023-10-05

The CO₂ calculation and data are in compliance with the principles of a carbon footprint impact according to the GHG protocol (Greenhouse Gas Protocol), Scope 3, cradle to gate related to all individual components in the product category: "Themed play systems" represented by item no.: MSC641100-3717P.

(Scope 3 emissions include emission sources in the upstream and downstream value chain).

Date: 30. October 2023 | Valid until: 30. October 2025

Verified by:

Julie Marie Vejsgaard Larsen, LCA & EPD Consultant

Verification based on report: Validation of CO₂ calculation of 9 categories of Kompan product line, version 1.0, prepared by: Bureau Veritas HSE, Denmark: Julie M. V. Larsen.

Publication date: 30. October 2023

By Bureau Veritas HSE
 www.bureauveritas.dk
 +45 7731 1000

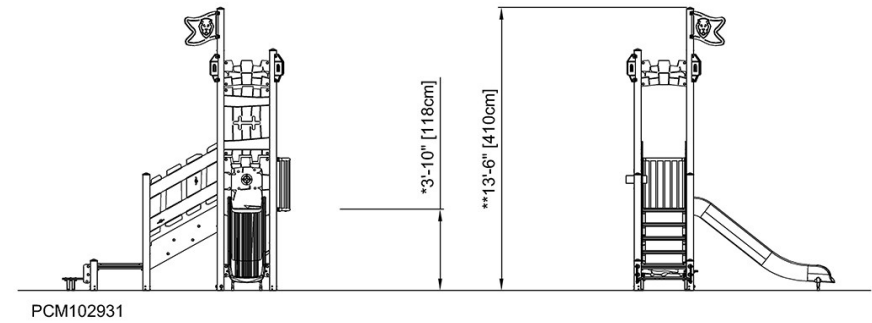
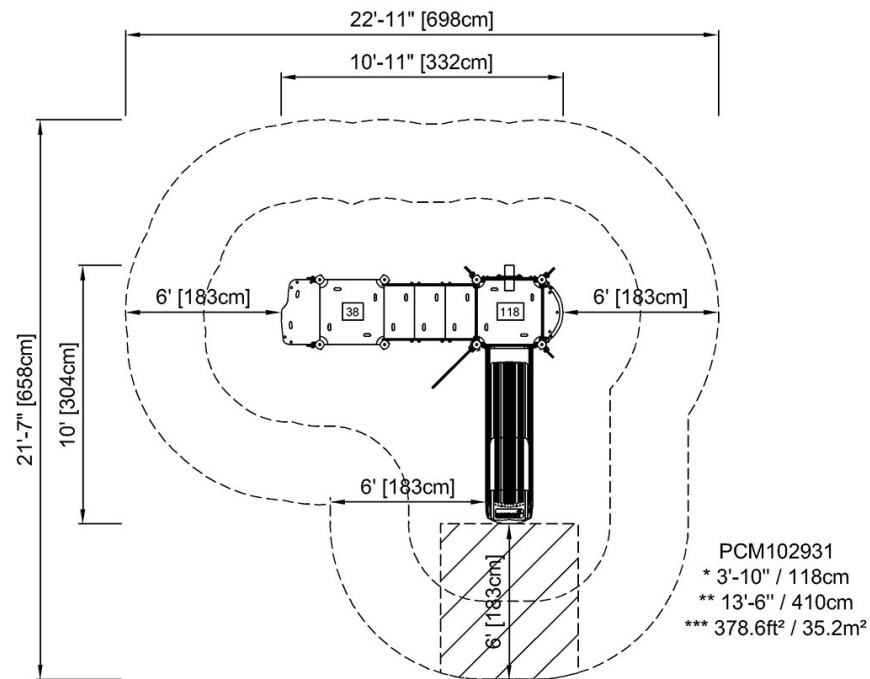


Castle Spire Tower

PCM102931

* Max fall height | ** Total height | *** Safety surfacing area

* Max fall height | ** Total height



[Click to see TOP VIEW](#)

[Click to see SIDE VIEW](#)