


# Multi Timer Robinia

FRO222

**KOMPAN**  
Let's play



Codice articolo FRO222-1001	
<b>Informazioni generali prodotto</b>	
Dimensioni (LxLxA)	44x29x179 cm
Età d'uso	13+
Capacità di gioco	4
Opzioni colori	

Quando ci si allena è importante avere un modo affidabile per tenere traccia del tempo. Il monitoraggio del tempo aggiunge struttura e misurabilità agli allenamenti, il che è molto motivante, ma facilita anche il miglioramento continuo dell'allenamento e quindi il raggiungimento degli obiettivi. Un Multi Timer è facile da vedere mentre ci si allena e fornisce

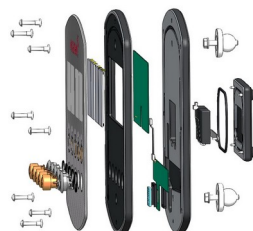
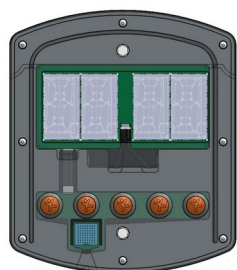
un segnale acustico e visivo che indica chiaramente quando iniziare e terminare le attività.

Ci sono 5 funzioni di timer 1. Cronometro 2. Tabata Timer (20/10 sec) 3 Interval Timer (30/10 sec) 4. HIIT (40/20 sec) 5. EMOM (60 sec). EMOM (60 sec)"



# Multi Timer Robinia

FRO222

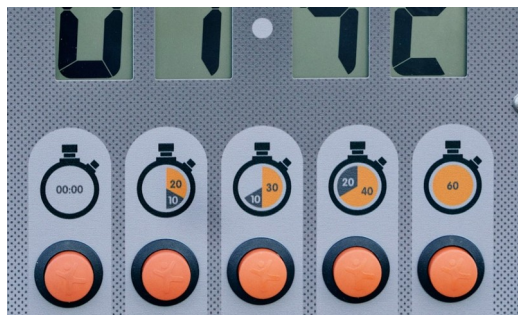


The reflective LCD display has four digits of 100mm height, with excellent outdoor visibility and a wide viewing angle. An LCD display has a low energy consumption, It is powered by 8 replaceable AA batteries with a lifespan of more than 2 years.

Front panels are made of UV-stabilized Polycarbonate. The UV-stabilization prevents the Transparent panels in being yellow over time and ensures the mechanical performances. The graphic prints are added by a unique multi-layer print process where the inner layer is the image and outer transparent layer functions as protection. The lacquer is water-based, and UV stabilized to prevent fading.

The push buttons and the housing for the push buttons are made from Polyamide (PA6). The buttons contain a magnet which activates a contactless reed switch when the buttons are pushed. This ensures high durability of the system.

Codice articolo FRO222-1001	
Informazione installazione	
Max. altezza di caduta	0 cm
Superficie di sicurezza	0,0 m <sup>2</sup>
Tempo d'installazione totale	1,5
Volume di scavo	0,03 m <sup>3</sup>
Volume di calcestruzzo	0,01 m <sup>3</sup>
Profondità di base (standard)	100 cm
Peso della spedizione	80 kg
Opzioni ancoraggio	Interrato <input checked="" type="checkbox"/> Superficie <input checked="" type="checkbox"/>
Garanzie	
Morsetti in alluminio	10 anni
EcoCore	Garanzia a vita
Componenti elettroniche	2 anni
Legno Robinia	15 anni
Garanzia pezzi di ricambio	10 anni



There are 5 timer functions  
1. Stopwatch  
2. Tabata Timer (20/10 sec)  
3. Interval Timer (30/10 sec)  
4. HIIT (40/20 sec)  
5. EMOM (60 sec)

Robinia Posts are made from de-barked and sap free Robinia trunks in various dimensions. Robinia is a native European wood specie with high strength and natural durability in various climatic conditions. The low degree of fabrication allows for a very natural look leaving posts bend and winding in some degree.

The loudspeaker is a piezoelectric speaker with a sound level of 90dB, and low power consumption. As power source we use eight standard AA 1,5V replaceable batteries with a capacity of 2.95Ah. The expected lifetime of the batteries is two years, depending on usage. It is recommended to inspect the batteries yearly. The batteries are placed in two sealed battery boxes with a protection class of IP65.



# Sustainability Data

FRO222



Cradle to Gate A1-A3	Total CO <sub>2</sub> emission	CO <sub>2</sub> e/kg	Recycled materials
	kg CO <sub>2</sub> e	kg CO <sub>2</sub> e/kg	%
<b>FRO222-1001</b>	53,30	0,95	11,21

The overall framework applied for these factors is the Environmental Product Declaration (EPD), which quantifies "environmental information on the life cycle of a product and enable comparisons between products fulfilling the same function" (ISO, 2006). This follows the structure and applies a Life-Cycle Assessment approach to the entire Product stage from raw material through manufacturing (A1-A3))

**Kompan A/S**  
 C.F. Tietgens Boulevard 32C  
 DK-5220 Odense SØ  
 Denmark



## Verification of CO<sub>2</sub> calculation of: Fitness



Data version no. 2023-10-05

The CO<sub>2</sub> calculation and data are in compliance with the principles of a carbon footprint impact according to the GHG protocol (Greenhouse Gas Protocol), Scope 3, cradle to gate related to all individual components in the product category: "Fitness" represented by item no.: FAZ10100-0900.

(Scope 3 emissions include emission sources in the upstream and downstream value chain).

**Date: 30. October 2023 | Valid until: 30. October 2025**

**Verified by:**

Julie Marie Vejsgaard Larsen, LCA & EPD Consultant

Verification based on report: Validation of CO<sub>2</sub> calculation of 9 categories of Kompan product line, version 1.0, prepared by: Bureau Veritas HSE, Denmark: Julie M. V. Larsen.

**Publication date: 30. October 2023**

**By Bureau Veritas HSE**  
 www.bureauveritas.dk  
 +45 7731 1000

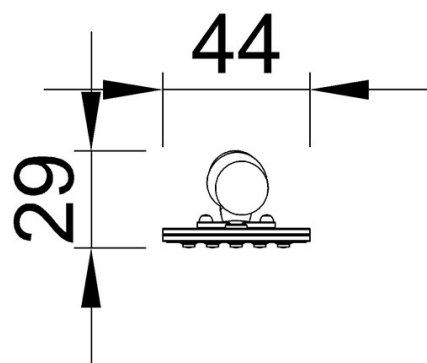


# Multi Timer Robinia

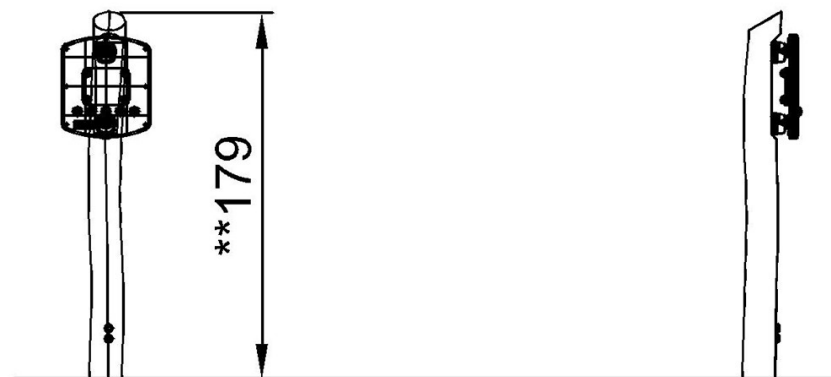
FRO222

Altezza di caduta massima | Altezza totale | Superficie di sicurezza

Altezza di caduta massima | Altezza totale



FRO222  
\*\*179cm



FRO222

[Fai clic per visualizzare il rapporto VISTA SUPERIORE](#)

[Fai clic per visualizzare il rapporto VISTA LATERALE](#)