


Swing Frame for 2 seats

NRO922



| Item no. | |
|-----------------------------|-------------------------------------------------------------------------------------|
| General Product Information | |
| Dimensions LxWxH | 450x219x290 cm |
| Age group | 2+ |
| Play capacity (users) | - |
| Colour options |  |



A harmonic design of play frames attract attention. Swinging in a stable, solid framework increases the feeling of security and thus increases the force, concentration and energy that the child dare put into swinging. The more stable, the more play intensity. So children will come back to enjoy the archaic experience of swinging, again and again, benefiting their

development of balance and coordination. Adding more seats in a swing frame motivates and enhances social play and cooperation.



Swing Frame for 2 seats

NRO922

| Item no. | |
|---------------------------------|--------------------|
| Installation Information | |
| Max. fall height | 0 cm |
| Safety surfacing area | 0.0 m ² |
| Total installation time | |
| Excavation volume | |
| Concrete volume | |
| Footing depth (standard) | |
| Shipment weight | |
| Anchoring options | In-ground ✓ |
| Warranty Information | |
| Robinia wood | 15 years |
| Spare parts guaranteed | 10 years |
| Swing hangers | 5 years |



Sustainability Data

NRO922



| Cradle to Gate A1-A3 | Total CO ₂ emission | CO ₂ e/kg | Recycled materials |
|----------------------|--------------------------------|-------------------------|--------------------|
| | kg CO ₂ e | kg CO ₂ e/kg | % |
| | | | |

The overall framework applied for these factors is the Environmental Product Declaration (EPD), which quantifies "environmental information on the life cycle of a product and enable comparisons between products fulfilling the same function" (ISO, 2006). This follows the structure and applies a Life-Cycle Assessment approach to the entire Product stage from raw material through manufacturing (A1-A3))

Kompan A/S
 C.F. Tietgens Boulevard 32C
 DK-5220 Odense SØ
 Denmark



Verification of CO₂ calculation of: Nature play



Data version no. 2023-10-05

The CO₂ calculation and data are in compliance with the principles of a carbon footprint impact according to the GHG protocol (Greenhouse Gas Protocol), Scope 3, cradle to gate related to all individual components in the product category: "Nature play" represented by item no.: NRO409-0621.

(Scope 3 emissions include emission sources in the upstream and downstream value chain).

Date: 30. October 2023 | Valid until: 30. October 2025

Verified by:

Julie Marie Vejsgaard Larsen, LCA & EPD Consultant

Verification based on report: Validation of CO₂ calculation of 9 categories of Kompan product line, version 1.0, prepared by: Bureau Veritas HSE, Denmark: Julie M. V. Larsen.

Publication date: 30. October 2023

By Bureau Veritas HSE
 www.bureauveritas.dk
 +45 7731 1000

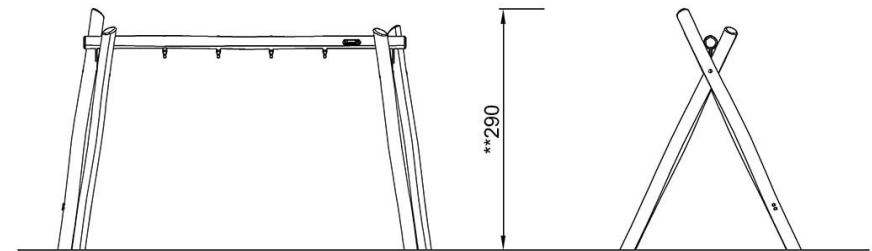
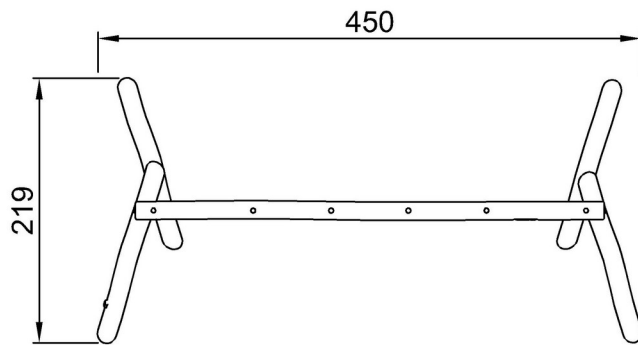


Swing Frame for 2 seats

NRO922

* Max fall height | ** Total height | *** Safety surfacing area

* Max fall height | ** Total height



NRO922

NRO922
**290cm

[Click to see TOP VIEW](#)

[Click to see SIDE VIEW](#)