

# Lower Back Bench

FSW41100

**KOMPAN**<sup>®</sup>



Varenr. FSW41100-0001	
<b>Generel produktinformation</b>	
Dimensioner LxBxH	105x73x88 cm
Alder	13+
Kapacitet (brugere)	1
Farvemuligheder	●



The Lower Back Bench features an adaptable footrest that accommodates users of all heights, allowing comfortable use without the need for machine adjustments. The cushioned hip support ensures high user comfort. It supports a wide range of back extension exercises, effectively strengthening the hip extensors as well as the lower and upper back

muscles.



# Lower Back Bench

FSW41100

**KOMPAN**<sup>®</sup>



Alle KOMPANs fitnessprodukter er i overensstemmelse med ASTM F3101 & EN16630 Udendørs Fitnessstandarder. Belastningstest udføres som en statisk test ved at tilføje dynamiske faktorer såvel som sikkerhedsfaktorer til den specificerede belastning på 78 kg pr. bruger. Et produkt beregnet til én bruger læsses med 420 kg.



All Steel components are made from carbon steel, with a hot-dip galvanized surface according to ISO1461, and a powder coating corrosion class C3 according to ISO12944-2. Lead content for surfaces is below 90ppm, and below 100ppm for base material.



Afstanden mellem de to håndtag er 667 mm. Håndtagene gør det nemmere for brugeren at stige af og på udstyret, og tillader alternative øvelser såsom dips.

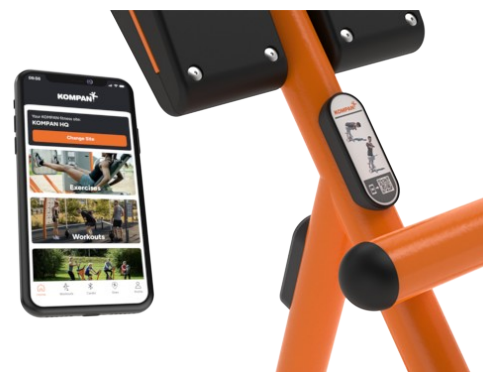
Varenr. FSW41100-0001	
Installationsinformation	
Maks. faldhøjde	88 cm
Faldområde	13,2 m <sup>2</sup>
Installationstid (timer)	0,0 timer
Udgravningsmængde	0,00 m <sup>3</sup>
Betonmængde	0,00 m <sup>3</sup>
Forankringsdybde	0 cm
Fragtvægt	112 kg
Forankringsmuligheder	
Garanti	
Galvaniseret/malet metal	10 år
Udhulede PE-dele	10 år
Garanterede reservedele	10 år



Bænken har 3 fodstøttepositioner, der passer til brugere i alle højder og til at variere øvelserne.



A compact and durable foam positioned at the hips provides support and ensures a comfortable and stable position during exercise.



The information sign is made of PA6 (Polyamide) and shows the most relevant exercise and a QR code. The QR code links to a video of the exercise in the KOMPAN sports & fitness App, which will provide a large amount of exercises and training.

**EN**  
**16630**  
compliant

# Bæredygtighedsdata

FSW41100



Vugge-til-port A3	A1-	Total CO <sub>2</sub> udled- ning	CO <sub>2</sub> e/kg	Genan- vendte mate- rialer
		kg CO <sub>2</sub> e	kg CO <sub>2</sub> e/kg	%
FSW41100-0001		0,00	0,00	0,00

Den overordnede ramme for disse faktorer er Environmental Product Declaration (EPD), som kvantificerer "miljøoplysninger om et produkts livscyklus og muliggør sammenligninger mellem produkter, der opfylder samme funktion" (ISO, 2006). Dette følger strukturen og anvender en livscyklusvurderingstilgang til hele produktfasen fra råvarer til fremstilling (A1-A3))



## Independent review certificate

Kompan A/S  
C. F. Tietgens Blvd. 32C, 5220 Odense SØ

Bureau Veritas hereby attests that the CO<sub>2</sub>e-calculations (covering materials, processing, waste and transport) done by Kompan for "Fitness", meet the requirements set by the listed standard.

Kompan A/S uses a selection of EPDs and emission factors from the Life Cycle Assessment database Ecoinvent 3.11. These values are reported as kg CO<sub>2</sub>e, with all other impact categories excluded in line with the scope of ISO 14067:2018. The emission factors cover, material use, manufacturing processes, transport to Kompan, and electricity used during manufacturing. The presented emissions fall under GHG Protocol scope 3 emissions. Scope 1 and 2 are not presented. Scope 3 emissions include emission sources in the upstream value chain of a company, downstream emissions are excluded in this analysis.

Method: ISO 14067:2018 using GHG protocol guidance documents, reported as kg CO<sub>2</sub>e.

### Object

The verification has been done on the one pager "FAZ10100-0900" version: 27-10-2025. The supporting documentation "KOMPAN data\_updated emissions factors\_2025\_V2" and "Emissions factors, EPD's and ecoinvent 3.11\_2025" was also reviewed and approved.

### Declaration

The review has been completed as a critical review with a limited assurance. I hereby confirm that nothing has come to the reviewer's attention which would lead to conclude that the study does not give an accurate depiction or isn't completed following method of the CO<sub>2</sub>e calculation, the requirements of ISO 14067:2018, and 14071:2024, in the above referenced documentation.

**Note:** This verification only covers calculation elements according to method described in ISO 14067:2018 and may not be seen as a Life Cycle Assessment according to ISO 14067:2018.

**Ref.:** Kompan\_Verification report 2025, 28-10-2025

**Date of certificate:** 29-10-2025

**Expire date:** 29-10-2027

**Verified by:** Julie Marie Vejsgaard Larsen, Environmental Auditor

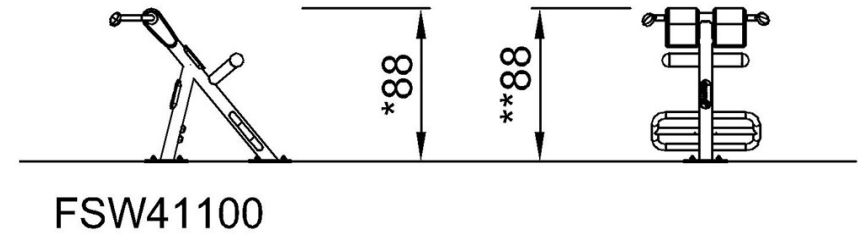
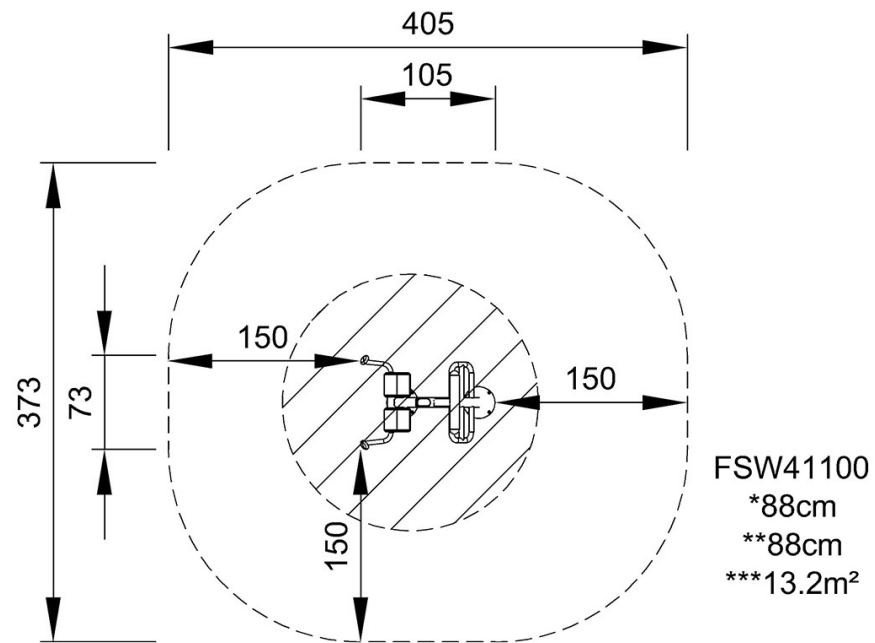
**Signature:**

# Lower Back Bench

FSW41100

\* Maks. faldhøjde | \*\* Samlet højde | \*\*\* Faldområde

\* Maks. faldhøjde | \*\* Samlet højde



[Klik for at se FRA OVEN](#)

[Klik for at se FRA SIDEN](#)