

# Unitruck

NRO560

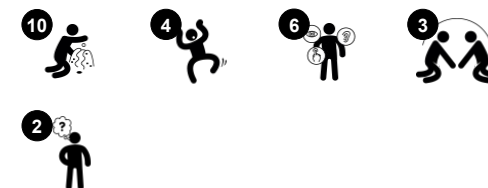
**KOMPAN**  
Let's play



Item no. NRO560-1021

## General Product Information

|                       |   |
|-----------------------|---|
| Dimensions LxWxH      | 270x163x160 cm  |
| Age group             | 2 - 5   |
| Play capacity (users) | 7   |
| Colour options        |    |



The Unitruck holds an immense appeal for younger children. The recognizable theme spurs dramatic play for young as well as older children. The easily accessible Unitruck invites ground level play for children of all abilities. The richness of manipulative play supports dramatic play, which again builds communication, language and social skills.

This helps children express themselves and being understood by their surroundings. We know from KOMPAN Play Institute studies that manipulative play elements increase play retention. The gear shift, steering wheel and seating area with benches in the back add possibilities of group play, and a place for caregivers to be informally seated. Dramatic

play is the favorite play type for younger children. Well known themes are scientifically stated to support play of younger children and of children with a range of disabilities. The Unitruck is fully accessible for children with difficulties walking and moving.



# Unitruck

NRO560



## Theme

**Cognitive:** suggests a theme and supports dramatic play, which stimulates language and communication skills.



## Gear wheels

**Social-Emotional:** cooperation skills and turn-taking are supported when turning the gearing wheel. **Cognitive:** cause and effect understanding, and logical thinking are supported.



## Megaphone

**Social-Emotional:** inspires communication and turn-taking skills. **Cognitive:** distortion of sound evokes curiosity and stimulates an understanding of cause and effect.



## Binoculars

**Cognitive:** the binoculars set a tangible theme and thus spur dramatic play. Dramatic play is a great trainer of language and communication skills. **Creative:** the binoculars can be turned in all directions. Looking through them gives a new perspective on the world.



## Switch

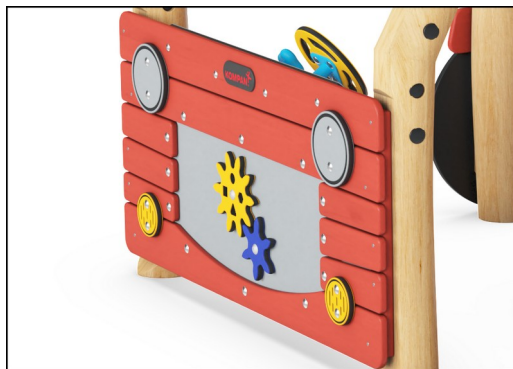
**Cognitive:** an understanding of cause and effect is developed when pushing something that moves. The theme of light switch supports dramatic play, which is known to stimulate language skills.

# Unitruck

NRO560



All Organic Robinia products by KOMPAN are made of Robinia wood from sustainable European sources. On request it can be supplied as FSC® Certified (FSC® C004450).



The paint used for coloured components is water based environmental friendly with excellent UV resistance. The paint is in compliance with EN 71 Part 3.



The Robinia products are designed with a KOMPAN colour concept with a number of different standard colours. The wood can also be supplied as untreated or with brown painted with a pigment that maintains the wood colour.

| Item no. NRO560-1021       |  |
|----------------------------|--|
| Installation Information   |  |
| Max. fall height           | 0 cm   |
| Safety surfacing area      | 0.0 m <sup>2</sup>   |
| Total installation time    | 16.8   |
| Excavation volume          | 0.83 m <sup>3</sup>  |
| Concrete volume            | 0.03 m <sup>3</sup>  |
| Footing depth (standard)   | 100 cm   |
| Shipment weight            | 535 kg   |
| Anchoring options          | Surface <input checked="" type="checkbox"/><br>In-ground <input checked="" type="checkbox"/> |
| Warranty Information       |  |
| EcoCore HDPE               | Lifetime   |
| Hot dip galvanised steel   | Lifetime   |
| Robinia wood               | 15 years   |
| Spare parts guaranteed     | 10 years   |
| Stainless steel components | Lifetime   |



There are Multiple footing options for all products: Surface anchoring with steel footings and expansion bolts. Wood in-ground or steel in-ground footings.



Panels of 19mm EcoCore™. EcoCore™ is a highly durable, eco friendly material, which is not only recyclable after use, but also consists of material produced from +95% recycled post consumer material from food packing waste.



The Robinia wood can be supplied as untreated raw wood, painted with a brown coloured transparent pigment that maintains the golden wood colour or in a coloured version where selected components are painted in different colours.

| Elevated activities 0 | Accessible elevated activities | Accessible ground level activities | Accessible ground level play types |
|-----------------------|--------------------------------|------------------------------------|------------------------------------|
| Present               | 0                              | 4                                  | 2                                  |
| Required              | 0                              | 0                                  | 0                                  |

**CSA  
Z614**  
compliant

# Sustainability Data

NRO560



| Cradle to Gate A1-A3 | Total CO <sub>2</sub> emission | CO <sub>2</sub> e/kg    | Recycled materials |
|----------------------|--------------------------------|-------------------------|--------------------|
|                      | kg CO <sub>2</sub> e           | kg CO <sub>2</sub> e/kg | %                  |
| NRO560-1021          | 150.97                         | 0.35                    | 11.64              |

The overall framework applied for these factors is the Environmental Product Declaration (EPD), which quantifies "environmental information on the life cycle of a product and enable comparisons between products fulfilling the same function" (ISO, 2006). This follows the structure and applies a Life-Cycle Assessment approach to the entire Product stage from raw material through manufacturing (A1-A3))

**Kompan A/S**  
 C.F. Tietgens Boulevard 32C  
 DK-5220 Odense SØ  
 Denmark



## Verification of CO<sub>2</sub> calculation of: Nature play



Data version no. 2023-10-05

The CO<sub>2</sub> calculation and data are in compliance with the principles of a carbon footprint impact according to the GHG protocol (Greenhouse Gas Protocol), Scope 3, cradle to gate related to all individual components in the product category: "Nature play" represented by item no.: NRO409-0621.

(Scope 3 emissions include emission sources in the upstream and downstream value chain).

**Date: 30. October 2023 | Valid until: 30. October 2025**

Verified by:

Julie Marie Vejsgaard Larsen, LCA & EPD Consultant

Verification based on report: Validation of CO<sub>2</sub> calculation of 9 categories of Kompan product line, version 1.0, prepared by: Bureau Veritas HSE, Denmark: Julie M. V. Larsen.

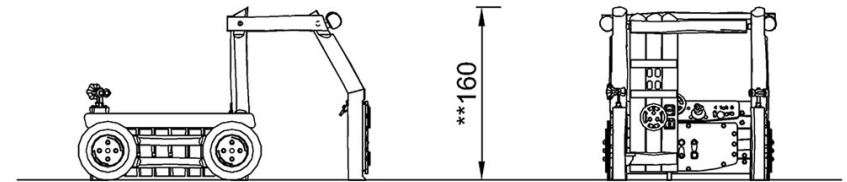
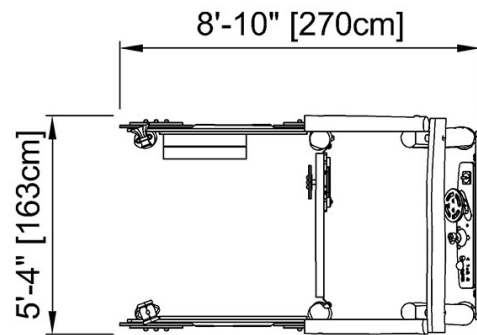
**Publication date: 30. October 2023**

By Bureau Veritas HSE  
 www.bureauveritas.dk  
 +45 7731 1000



\* Max fall height | \*\* Total height | \*\*\* Safety surfacing area

\* Max fall height | \*\* Total height



NRO560

NRO560  
\*\* 5'-3" / 160cm

[Click to see TOP VIEW](#)

[Click to see SIDE VIEW](#)