

Free Runner

FSW242



Item nummer FSW24200-0902	
Algemene Product Informatie	
Afmetingen LxBxH	133x64x141 cm
Leeftijdsgroep	13+
Speelcapaciteit	1
Kleuropties	

De Free Runner is ontworpen voor leuke en gemakkelijke oefeningen en verbetert de heupmobiliteit, beencoördinatie en rompstabiliteit. Het toestel is gewrichtsvriendelijk en geschikt voor senioren, revalidatie of warming-up. Er zijn drie gebruiksmodi: afwisselende beenbewegingen, zwaaien met één been en gesynchroniseerde

beenbeweging. Het apparaat heeft brede, stabiele voetplaten en een stevige steunrail, waardoor veiligheid en gebruiksgemak voor iedereen gegarandeerd is.

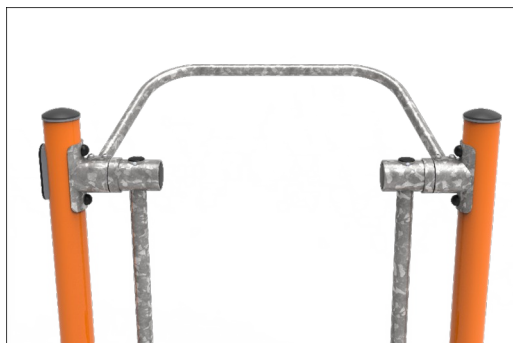


Free Runner

FSW242



The Steel posts are made of $\varnothing 101,6 \times 2,0$ mm pre-galvanized steel tube. The posts are powder coated, corrosion class C3 according to ISO12944-2.



Safety bar is made of tubing with a diameter of 38 mm and wall thickness of 2 mm made of steel S235 with a hot dip galvanized surface treatment according to ISO1461 with a lead content below 90ppm for surfaces and for base material below 100ppm and with powder coated top finish.



The arms for the foot pedals are 855mm long, and made from $\varnothing 48,3 \times 4$ mm S235JR hot dip galvanized steel tube.



The product must feature an information sign with related exercises, and each exercise must feature a QR code linking to its related exercise portal in an app that offers support on the specific exercise. The sign must additionally offer a QR code for downloading the app.



Zwaar uitgevoerd lagersysteem met enkele rij diepgroefkogellagers met rubberen afdichtingen. De volledig gesloten lagerconstructie hoeft nooit gesmeerd te worden en is daarmee onderhoudsvrij.



Footholds of 19mm EcoCore™ HDPE. EcoCore™ is a highly durable, eco friendly material, which is not only recyclable after use, but also consists of material produced from +95% recycled post consumer material from food packing waste.

Item nummer FSW24200-0902

Installatie informatie

Max. valhoogte	85 cm
Veiligheidszone	19,0 m ²
Totale installatietijd	3,2
Graafwerk (vol.)	0,06 m ³
Benodigd beton	0,04 m ³
Verankeringsdiepte	90 cm
Verzendingsgewicht	105 kg
Verankeringsopties	In-ground ✓ Oppervlak ✓

Garantie informatie

Bearings assembly	5 jaar
EcoCore HDPE	Levenslang
Gegarandeerde reserveonderdelen	10 jaar
Stalen frame	10 jaar

EN
16630
compliant

Sustainability Data

FSW242



Cradle to Gate A1-A3	Total CO ₂ emission	CO ₂ e/kg	Recycled materials
	kg CO ₂ e	kg CO ₂ e/kg	%
FSW24200-0902	186,80	2,62	51,66

The overall framework applied for these factors is the Environmental Product Declaration (EPD), which quantifies "environmental information on the life cycle of a product and enable comparisons between products fulfilling the same function" (ISO, 2006). This follows the structure and applies a Life-Cycle Assessment approach to the entire Product stage from raw material through manufacturing (A1-A3))

Kompan A/S
 C.F. Tietgens Boulevard 32C
 DK-5220 Odense SØ
 Denmark



Verification of CO₂ calculation of: Fitness



Data version no. 2023-10-05

The CO₂ calculation and data are in compliance with the principles of a carbon footprint impact according to the GHG protocol (Greenhouse Gas Protocol), Scope 3, cradle to gate related to all individual components in the product category: "Fitness" represented by item no.: FAZ10100-0900.

(Scope 3 emissions include emission sources in the upstream and downstream value chain).

Date: 30. October 2023 | Valid until: 30. October 2025

Verified by:

Julie Marie Vejsgaard Larsen, LCA & EPD Consultant

Verification based on report: Validation of CO₂ calculation of 9 categories of Kompan product line, version 1.0, prepared by: Bureau Veritas HSE, Denmark: Julie M. V. Larsen.

Publication date: 30. October 2023

By Bureau Veritas HSE
 www.bureauveritas.dk
 +45 7731 1000

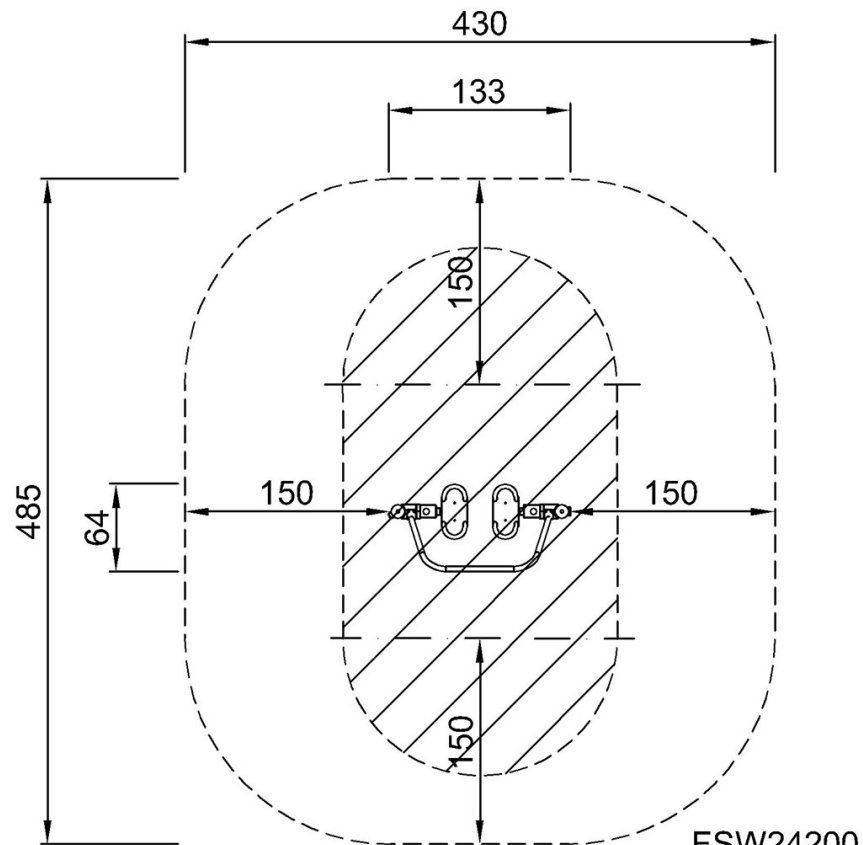


Free Runner

FSW242

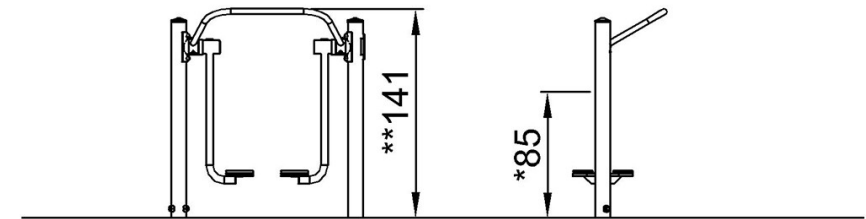
Max. valhoogte | Totale Hoogte | Veiligheidszone

Max. valhoogte | Totale Hoogte



FSW24200

*85cm
**141cm
***19m²



FSW24200

[Bekijk BOVENAANZICHT](#)

[Bekijk ZIJAAANZICHT](#)