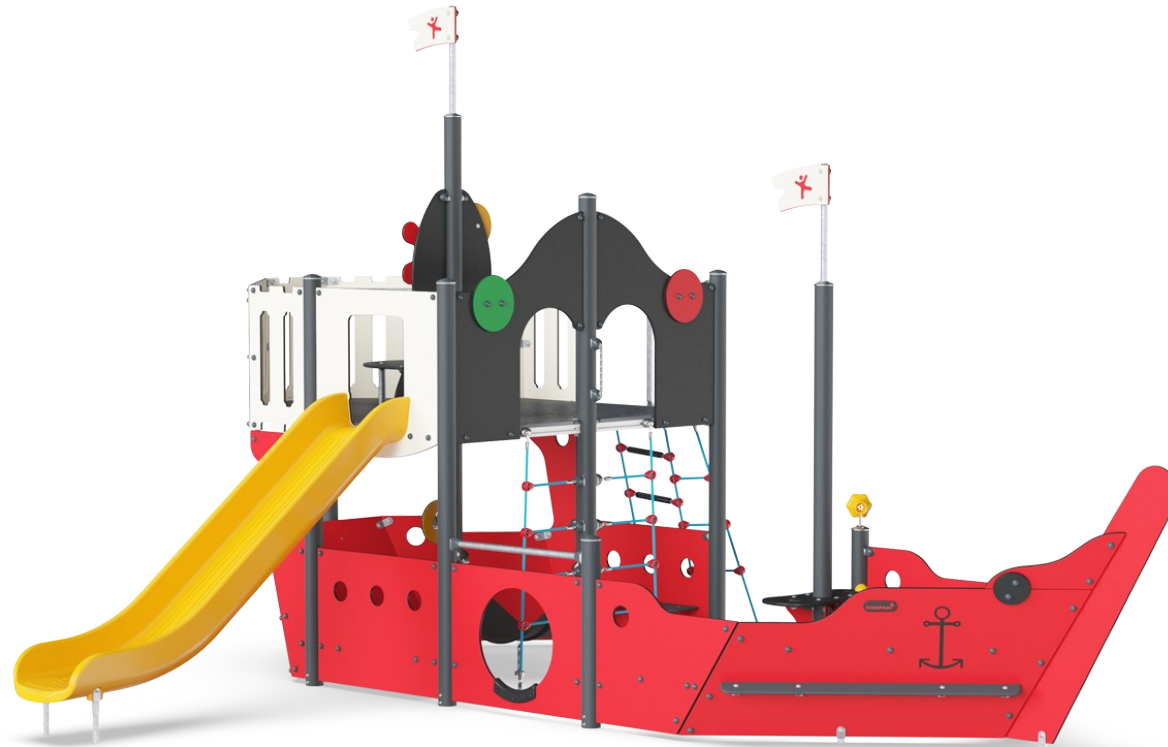

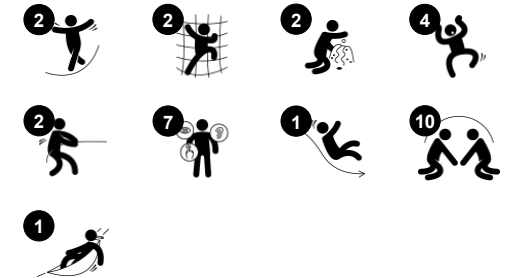


# Pirate Ship

PCM103221



|                                    |   |
|------------------------------------|---|
| Item no. PCM103221-0901            |   |
| <b>General Product Information</b> |   |
| Dimensions LxWxH                   | 646x508x382 cm  |
| Age group                          | 2+  |
| Play capacity (users)              | 24  |
| Colour options                     |  |



The KOMPAN Pirate Ship has inspired and attracted play in children for years, and continues to do so to this day. The clear colors, round shapes and strong theme motivates dramatic play again and again, year after year. The unit forms a whole playground with its diverse play activities. The open space behind the keel has benches for socializing and the

hanging seat under the deck allows for gentle swinging and training the skills of balance and turn-taking. An entry net and accessible stairway lead to the deck. Users of all abilities can be involved in play, thanks to the open, transparent design. The many sensory, moveable activities add to dramatic play and stimulate language and communication skills.

The slide is sensory, encourages the development of balance and is classic fun.

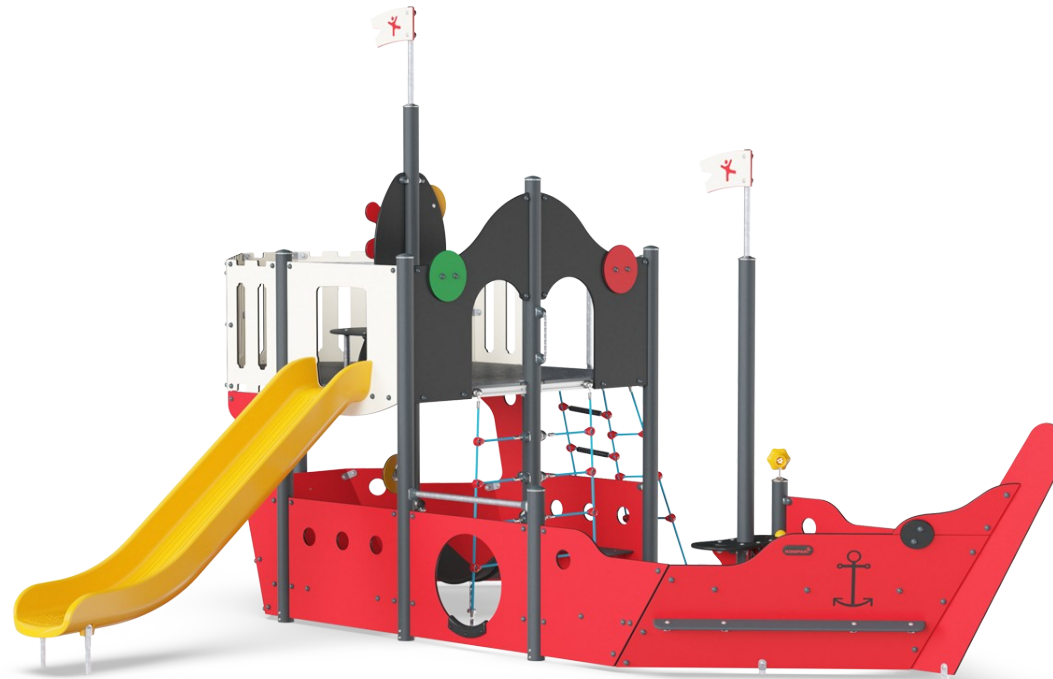
# Pirate Ship

PCM103221



## Megaphone

**Social-Emotional:** inspires communication and turn-taking skills. **Cognitive:** distortion of sound evokes curiosity and stimulates an understanding of cause and effect.



## Rope ladder

**Physical:** climbing the ladder supports cross coordination and trains leg and arm muscles.



## Open space in front

**Social-Emotional:** the bench along the keel is a great space for meeting and exchanging.



## Crawl-through hole

**Physical:** the hole allows for climbing and crawling through, developing cross coordination, proprioception and spatial awareness. **Social-Emotional:** cooperation and turn-taking when passing one another. **Cognitive:** understanding space, shape and measures when seeing if the body can fit through the hole.



## Hammock

**Physical:** coordination and sense of balance when swaying. **Social-Emotional:** meeting, pushing friends gently back and forth, turn-taking. **Cognitive:** for toddlers 'cause and effect' understanding.



## Slide

**Physical:** develops spatial awareness, sense of balance and trains core muscles when sitting upright going down. **Social-Emotional:** empathy stimulated by turn-taking. **Cognitive:** young children develop their understanding of space, speed and distances when sliding down.

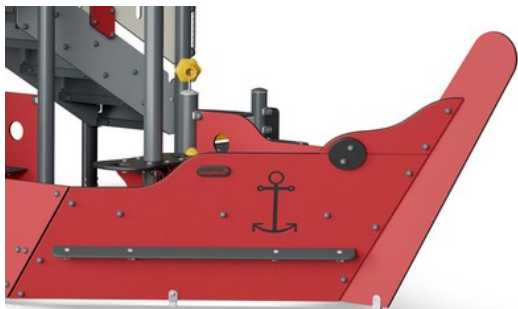


## Turning wheel

**Social-Emotional:** develops turn-taking, communication and cooperation. **Cognitive:** the manipulative item stimulates 'cause and effect' understanding, logical thinking and communication. **Creative:** working with moveable play items that can leave a mark supports the child's creativity.

# Pirate Ship

PCM103221



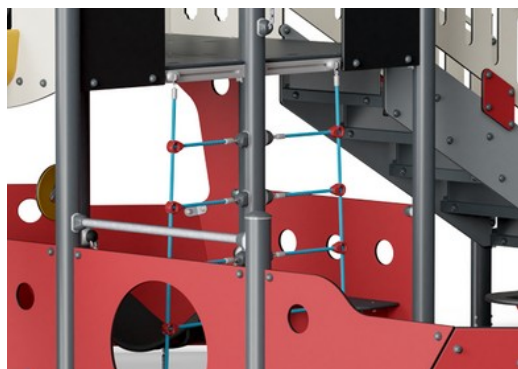
Panels of 19mm EcoCore™. EcoCore™ is a highly durable, eco-friendly material, which is not only recyclable after use but also consists of a core produced from 100% recycled material.



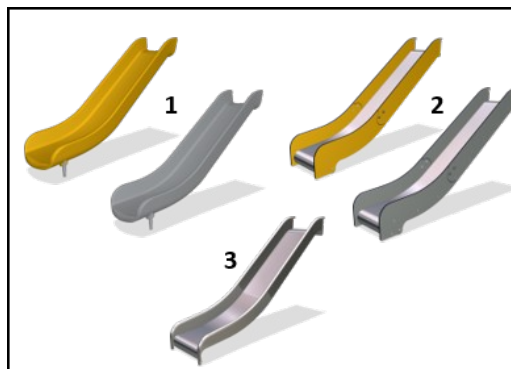
All decks are supported by unique designed low-carbon aluminum profiles with multiple attachment options. The grey colored molded decks are made of 75% post-consumer waste PP material with a non-skid pattern and texture surface.



The steel surfaces are hot-dip galvanized inside and outside with lead-free zinc. The galvanisation has excellent corrosion resistance in outside environments and requires low maintenance.



Ropes of UV-stabilized PES rope strands with inner steel cable reinforcement. The polyester yarn is made from +95% post-consumer materials and is inductively melted onto each strand.



Slides are available in three different materials: moulded on piece PE slides, combined EcoCore™ sides and stainless steel slide bed t=2mm. Full stainless steel AISI304 t=2mm.



The Pirate ship is available in three different colour combination; classic red, ocean blue or nature green.

Item no. PCM103221-0901

### Installation Information

|                          |                          |
|--------------------------|--------------------------|
| Max. fall height         | 148 cm                   |
| Safety surfacing area    | 49.4 m <sup>2</sup>      |
| Total installation time  | 29.4                     |
| Excavation volume        | 1.17 m <sup>3</sup>      |
| Concrete volume          | 0.04 m <sup>3</sup>      |
| Footing depth (standard) | 90 cm                    |
| Shipment weight          | 961 kg                   |
| Anchoring options        | In-ground ✓<br>Surface ✓ |

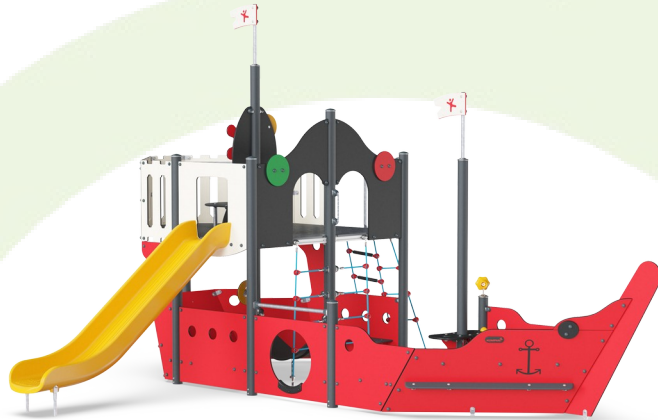
### Warranty Information

|                       |          |
|-----------------------|----------|
| EcoCore HDPE          | Lifetime |
| Post                  | 10 years |
| PP Decks              | 10 years |
| Ropes & Nets          | 10 years |
| Spare Parts Guarantee | 10 years |



# Sustainability Data

PCM103221



| Cradle to Gate A1-A3  | Total CO <sub>2</sub> emission | CO <sub>2</sub> e/kg    | Recycled materials |
|-----------------------|--------------------------------|-------------------------|--------------------|
|                       | kg CO <sub>2</sub> e           | kg CO <sub>2</sub> e/kg | %                  |
| <b>PCM103221-0901</b> | 1,253.30                       | 1.80                    | 61.45              |

The overall framework applied for these factors is the Environmental Product Declaration (EPD), which quantifies "environmental information on the life cycle of a product and enable comparisons between products fulfilling the same function" (ISO, 2006). This follows the structure and applies a Life-Cycle Assessment approach to the entire Product stage from raw material through manufacturing (A1-A3))

**Kompan A/S**  
 C.F. Tietgens Boulevard 32C  
 DK-5220 Odense SØ  
 Denmark



## Verification of CO<sub>2</sub> calculation of: Play systems



Data version no. 2023-10-05

The CO<sub>2</sub> calculation and data are in compliance with the principles of a carbon footprint impact according to the GHG protocol (Greenhouse Gas Protocol), Scope 3, cradle to gate related to all individual components in the product category: "Play systems" represented by item no.: PCM200321-0950.

(Scope 3 emissions include emission sources in the upstream and downstream value chain).

**Date: 30. October 2023 | Valid until: 30. October 2025**

Verified by:

Julie Marie Vejsgaard Larsen, LCA & EPD Consultant

Verification based on report: Validation of CO<sub>2</sub> calculation of 9 categories of Kompan product line, version 1.0, prepared by: Bureau Veritas HSE, Denmark: Julie M. V. Larsen.

**Publication date: 30. October 2023**

By Bureau Veritas HSE  
 www.bureauveritas.dk  
 +45 7731 1000

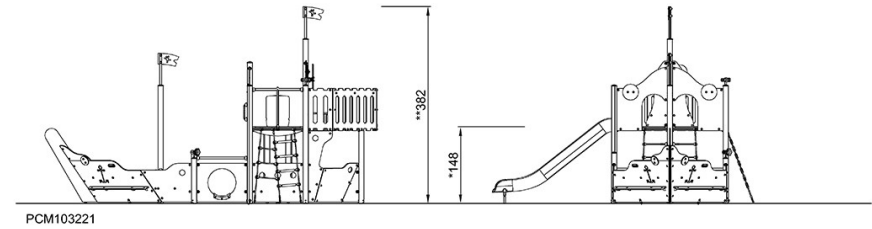
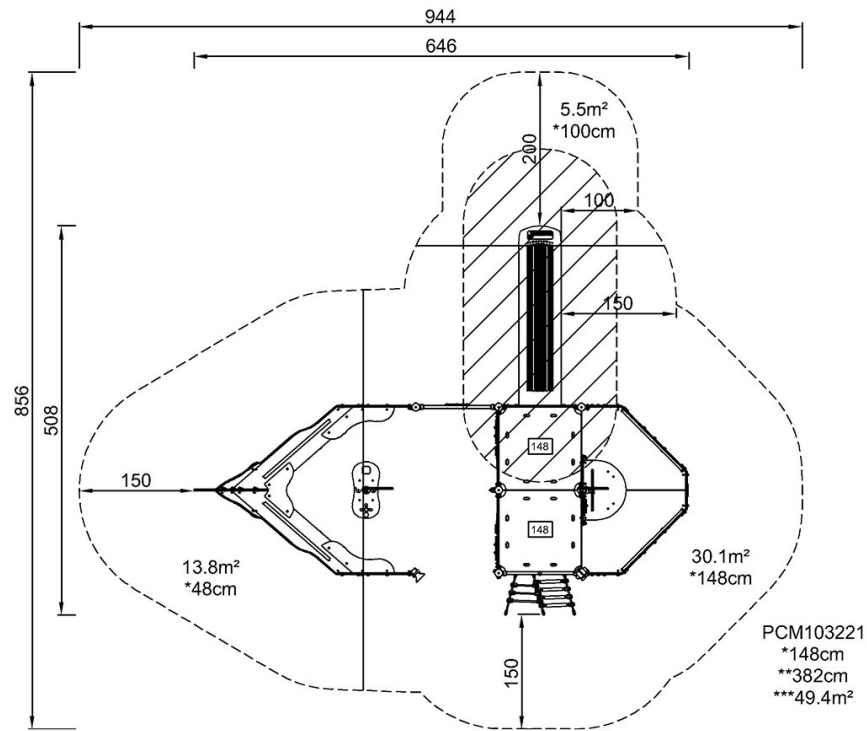


# Pirate Ship

PCM103221

\* Max fall height | \*\* Total height | \*\*\* Safety surfacing area

\* Max fall height | \*\* Total height



[Click to see TOP VIEW](#)

[Click to see SIDE VIEW](#)