

Ab Bench

FSW41000

KOMPAN®



产品编号 FSW41000-0001

产品信息概览

长宽高尺寸	149x53x79 cm
适用年龄段	13+
容纳人数	1
颜色选择	●



The Ab Bench features ergonomically positioned leg supports that enable a variety of sit up exercises while effectively strengthening all abdominal muscles without placing harmful strain on the lower back. The ergonomically designed seat helps reduce stress on the spine during the exercise. The cushioned lower leg support ensures high user comfort.

Ab Bench

FSW41000

KOMPAN®



所有的 KOMPAN 健身产品都符合 ASTM F3101 & EN16630 户外健身标准。静态测试通过在 78 公斤的指定负载上增加动态因素和安全因素。设备为单人提供 420 公斤的承载力。



All Steel components are made from carbon steel, with a hot-dip galvanized surface according to ISO1461, and a powder coating corrosion class C3 according to ISO12944-2. Lead content for surfaces is below 90ppm, and below 100ppm for base material.



The seat and backrest is made of blowmolded PE and mounted directly onto the steel frame, making it highly durable and resistant to wear and tear. The seat and the back support are positioned under an 8-degree angle for the correct ergonomics. The back support has a groove to relieve the spine, accommodating a comfortable seating position, another benefit is that it drains water easily.

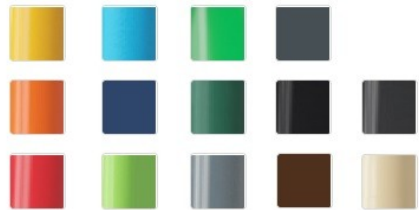
产品编号 FSW41000-0001

安装信息

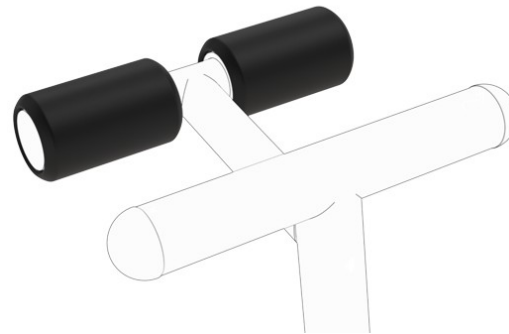
最大跌落高度	79 cm
安全面积	13.6 m ²
安装总时长	0.0 小时
开挖量	0.00 m ³
混凝土使用量	0.00 m ³
标准入地深度	0 cm
运输重量	111 kg
固定选项	

质保信息

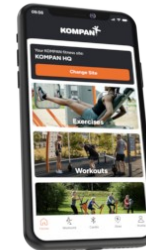
镀锌 / 喷漆金属	10 年
中空 PE 聚乙烯部件	10 年
PUR 部件	10 年
承保零部件	10 年



KOMPAN 健身产品的标准可在橙色 RAL2010 和灰色 RAL7012 中选择。所有其他 RAL 颜色都可按需选择，以匹配周边的环境或颜色主题！



A compact and durable foam positioned at the shins provides support and ensures a comfortable and stable position during exercise.



The information sign is made of PA6 (Polyamide) and shows the most relevant exercise and a QR code. The QR code links to a video of the exercise in the KOMPAN sports & fitness App, which will provide a large amount of exercises and training.

EN
16630
compliant

可持续性数据

FSW41000



从原材料到成品

CO₂ 排放总量

kg CO₂e

CO₂ 排放量 / 千克

kg CO₂e/kg

回收的原料

%

FSW41000-0001

0.00

0.00

0.00

这些因素采用的总体框架为环保产品声明 (EPD)，该声明可量化“产品生命周期的环保信息，并对相同功能的产品进行对比” (ISO, 2006)。在遵循该框架的同时，对从原材料到制造的整个产品阶段 (A1-A3) 应用生命周期评估法。



Independent review certificate

Kompan A/S
C. F. Tietgens Blvd. 32C, 5220 Odense SØ

Bureau Veritas hereby attests that the CO₂e-calculations (covering materials, processing, waste and transport) done by Kompan for "Fitness", meet the requirements set by the listed standard.

Kompan A/S uses a selection of EPDs and emission factors from the Life Cycle Assessment database Ecoinvent 3.11. These values are reported as kg CO₂e, with all other impact categories excluded in line with the scope of ISO 14067:2018. The emission factors cover, material use, manufacturing processes, transport to Kompan, and electricity used during manufacturing. The presented emissions fall under GHG Protocol scope 3 emissions. Scope 1 and 2 are not presented. Scope 3 emissions include emission sources in the upstream value chain of a company, downstream emissions are excluded in this analysis.

Method: ISO 14067:2018 using GHG protocol guidance documents, reported as kg CO₂e.

Object

The verification has been done on the one pager "FAZ10100-0900" version: 27-10-2025. The supporting documentation "KOMPAN data_updated emissions factors_2025_V2" and "Emissions factors, EPD's and ecoinvent 3.11_2025" was also reviewed and approved.

Declaration

The review has been completed as a critical review with a limited assurance. I hereby confirm that nothing has come to the reviewer's attention which would lead to conclude that the study does not give an accurate depiction or isn't completed following method of the CO₂e calculation, the requirements of ISO 14067:2018, and 14071:2024, in the above referenced documentation.

Note: This verification only covers calculation elements according to method described in ISO 14067:2018 and may not be seen as a Life Cycle Assessment according to ISO 14067:2018.

Ref.: Kompan_Verification report 2025, 28-10-2025

Date of certificate: 29-10-2025

Expire date: 29-10-2027

Verified by: Julie Marie Vejsgaard Larsen, Environmental Auditor

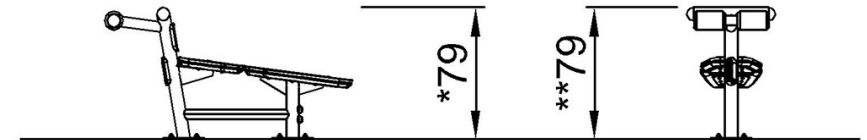
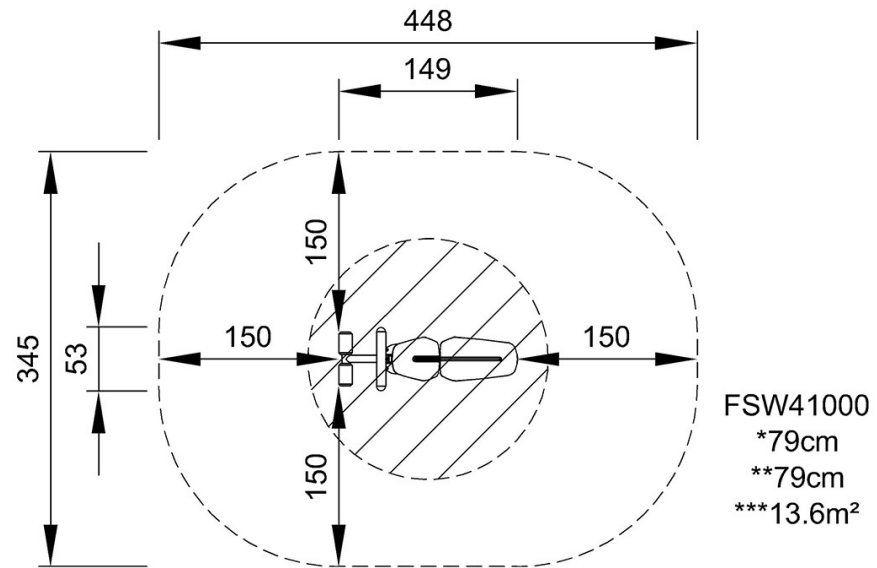
Signature:

Ab Bench

FSW41000

最大跌落高度 | 总高度 | 安全区域

最大跌落高度 | 总高度



FSW41000

[点击查看俯视图](#)

[点击查看侧面图](#)