

Turbo Challenge

FPW212



产品编号 FPW21200-0900

产品信息概览

长宽高尺寸	445x119x270 cm
适用年龄段	8+
容纳人数	3
颜色选择	

The Turbo Challenge is the most dynamic and thrilling element of all obstacle course exercises. To do the exercise in the best way, a combination of skills, timing, rhythm and cross body coordination is needed. This Turbo Challenge is wide and high to ensure anyone can hang and move freely. To make sure that everyone can reach the dynamic wheels there

are 4 stepping pods at different heights. For an optimized and direct swing the 4 four dynamic wheels have been mounted under a 5-degree angle.



Turbo Challenge

FPW212



Turbo challenge

身体素质 : upper body muscles are trained when hanging. Agility, proprioception and coordination are trained when spinning from one ring to the next. Spatial awareness and sense of balance are trained by the rotating motion. **社交情感** : the sections of each of the spinners allow for more children hanging in arms or knees, cooperating. This trains empathy and turn-taking skills.



Turbo Challenge

FPW212



立柱由 $\text{Ø}101.6 \times 2\text{mm}$ 制成，预镀锌碳钢，粉末涂层，可在所有情况下提供出色的保护。



连接器是由压铸铝，适合户外环境和高频率使用。连接的螺丝是不锈钢的，并由锌垫圈保护。



台阶由挤压铝制成，表面防滑。铝具有很高的耐腐蚀性，保证了产品的耐久性。台阶安装在 34.7cm 和 54.7cm 的高度上，这样可以方便地到达顶部活动区域。

产品编号 FPW21200-0900

安装信息

最大跌落高度	233 cm
安全面积	33.1 m ²
安装总时长	5.2
开挖量	0.38 m ³
混凝土使用量	0.20 m ³
标准入地深度	90 cm
运输重量	300 kg
固定选项	入地 ✓ 地表 ✓

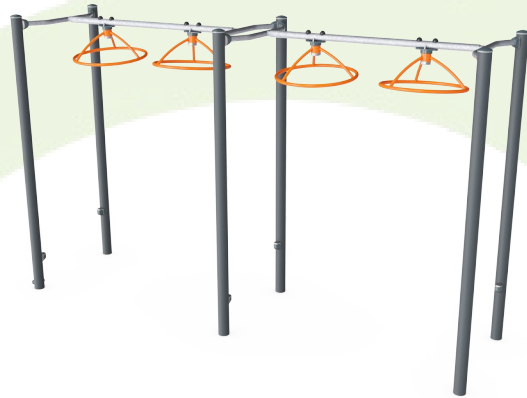
质保信息

轴承构造	5 年
镀锌钢结构	终身质保
立柱	10 年
承保零部件	10 年
轮子	10 年



Sustainability Data

FPW212



从原材料到成品	CO ₂ 排放总量	CO ₂ 排放量 / 千克	回收的原料
	kg CO ₂ e	kg CO ₂ e/kg	%
FPW21200-0900	625.21	3.30	48.61

这些因素采用的总体框架为环保产品声明 (EPD), 该声明可量化“产品生命周期的环保信息, 并对相同功能的产品进行对比”(ISO, 2006)。在遵循该框架的同时, 对从原材料到制造的整个产品阶段 (A1-A3) 应用生命周期评估法。

Kompan A/S
C.F. Tietgens Boulevard 32C
DK-5220 Odense SØ
Denmark



Verification of CO₂ calculation of: Fitness



Data version no. 2023-10-05

The CO₂ calculation and data are in compliance with the principles of a carbon footprint impact according to the GHG protocol (Greenhouse Gas Protocol), Scope 3, cradle to gate related to all individual components in the product category: "Fitness" represented by item no.: FAZ10100-0900.

(Scope 3 emissions include emission sources in the upstream and downstream value chain).

Date: 30. October 2023 | Valid until: 30. October 2025

Verified by:

Julie Marie Vejsgaard Larsen, LCA & EPD Consultant

Verification based on report: Validation of CO₂ calculation of 9 categories of Kompan product line, version 1.0, prepared by: Bureau Veritas HSE, Denmark: Julie M. V. Larsen.

Publication date: 30. October 2023

By Bureau Veritas HSE
www.bureauveritas.dk
+45 7731 1000

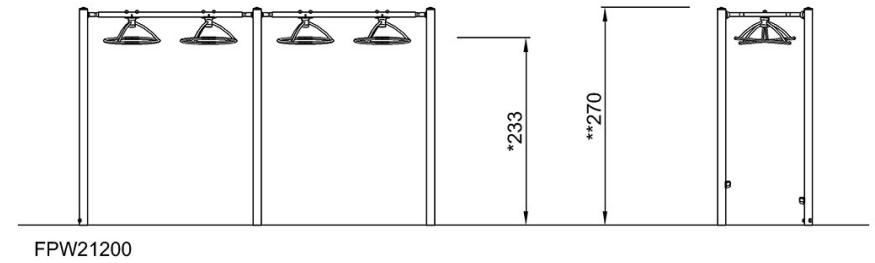
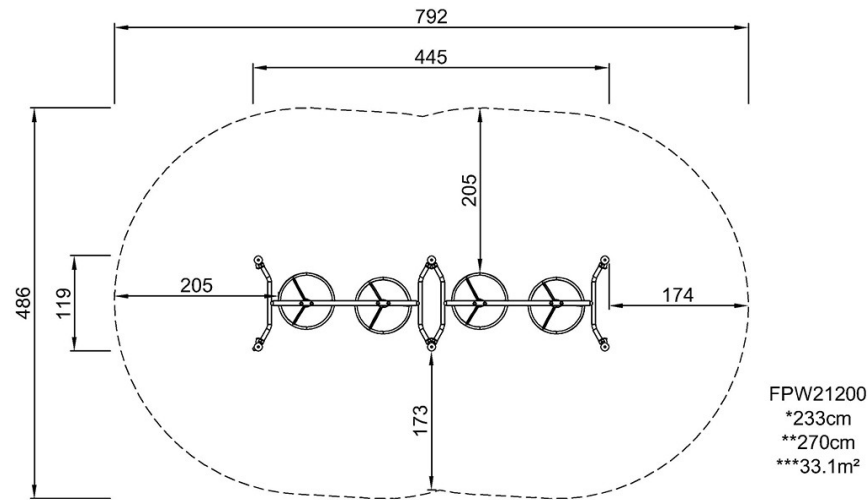


Turbo Challenge

FPW212

最大跌落高度 | 总高度 | 安全区域

最大跌落高度 | 总高度



[点击查看俯视图](#)

[点击查看侧面图](#)