


Flower Table

KPL503



Item no. KPL503-0611	
General Product Information	
Dimensions LxWxH	43x46x55 cm
Age group	2+
Play capacity (users)	2
Color options	



The Flower Table table adds a nice gathering point to any play area. With its nicely carved shape, the Flower Table will accommodate the items that young children always seem to bring to the playground. The Flower Table also functions very well as a point for creative experiments, for instance building with sand. The Flower Table can also function as a seat.

Last but not least, the Flower Table can be a point to which children can retract when the need a break from the more Physically demanding play. It can be the place where the next play moves are considered or agreed upon: a socio-emotional respite from wild play.



Flower Table

KPL503



Table

Social-Emotional: fine meeting place and a space creator. Sharing and cooperation create a social scenario that supports communication and cooperation.



Flower Table

KPL503



Panels of 19mm EcoCore™. EcoCore™ is a highly durable, eco friendly material, which is not only recyclable after use, but also consists of material produced from +95% recycled post consumer material from food packing waste.



The steel surfaces are hot dip galvanised inside and outside with lead free zinc. The galvanisation has excellent corrosion resistance in outside environments and requires low maintenance.

Item no. KPL503-0611

Installation Information

Max. fall height	0 cm
Safety surfacing area	9.4 m ²
Total installation time	1.4
Excavation volume	0.12 m ³
Concrete volume	0.00 m ³
Footing depth (standard)	60 cm
Shipment weight	14 kg
Anchoring options	In-ground ✓ Surface ✓



Sustainability Data

KPL503



Cradle to Gate A1-A3	Total CO ₂ emission	CO ₂ e/kg	Recycled materials
	kg CO ₂ e	kg CO ₂ e/kg	%
KPL503-0611	20.50	1.63	37.76

The overall framework applied for these factors is the Environmental Product Declaration (EPD), which quantifies "environmental information on the life cycle of a product and enable comparisons between products fulfilling the same function" (ISO, 2006). This follows the structure and applies a Life-Cycle Assessment approach to the entire Product stage from raw material through manufacturing (A1-A3))

Kompan A/S
 C.F. Tietgens Boulevard 32C
 DK-5220 Odense SØ
 Denmark



Verification of CO₂ calculation of: Themed play systems



Data version no. 2023-10-05

The CO₂ calculation and data are in compliance with the principles of a carbon footprint impact according to the GHG protocol (Greenhouse Gas Protocol), Scope 3, cradle to gate related to all individual components in the product category: "Themed play systems" represented by item no.: MSC641100-3717P.

(Scope 3 emissions include emission sources in the upstream and downstream value chain).

Date: 30. October 2023 | Valid until: 30. October 2025

Verified by:

Julie Marie Vejsgaard Larsen, LCA & EPD Consultant

Verification based on report: Validation of CO₂ calculation of 9 categories of Kompan product line, version 1.0, prepared by: Bureau Veritas HSE, Denmark: Julie M. V. Larsen.

Publication date: 30. October 2023

By Bureau Veritas HSE
 www.bureauveritas.dk
 +45 7731 1000

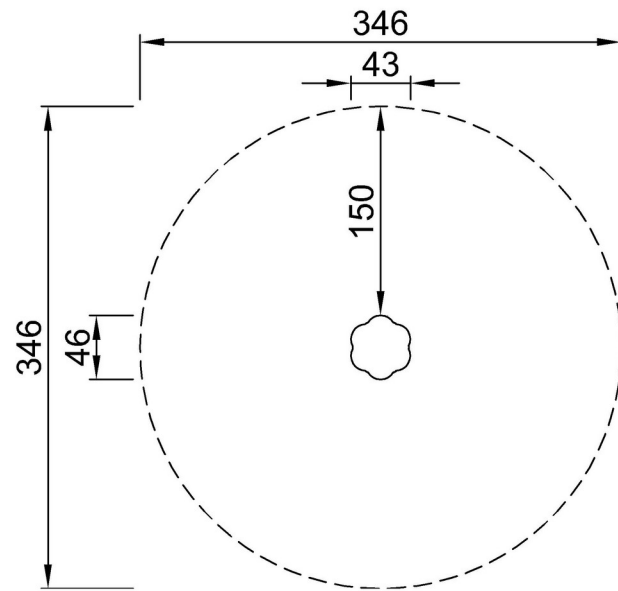


Flower Table

KPL503

* Max fall height | ** Total height | *** Safety surfacing area

* Max fall height | ** Total height



KPL503
**55cm
***9.4m²



KPL503

[Click to see TOP VIEW](#)

[Click to see SIDE VIEW](#)