


# Jungle 4x4

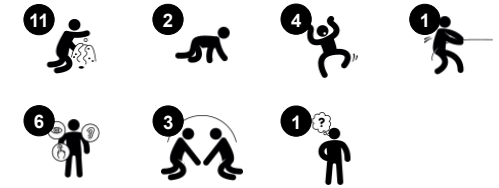
NRO563

**KOMPAN**  
Let's play

Item no. NRO563-1041

## General Product Information

Dimensions LxWxH	160x284x125 cm
Age group	2+
Play capacity (users)	8
Colour options	



The Jungle ignites the child's imagination. With its appealing theme and look, it is a dramatic play starter. The many climb-and-crawl through options invite activity and stimulate motor skills such as cross-coordination. This stimulates the cross-modal perception which supports e.g. reading skills. It additionally trains muscles, proprioception and movement control. On the

easily accessible platform, a gear shift, steering wheel and seat add to the imaginative driving of the amazing Jungle. Dramatic play is the favorite play type for younger children. Apart from building an understanding of the world, dramatic play also trains language and communication skills intensely. The open design and the easy access of the Jungle

invites all children to benefit from play, making friends for life.



# Jungle 4x4

NRO563

**KOMPANI**  
Let's play



## Theme

**Cognitive:** suggests a theme and supports dramatic play, which stimulates language and communication skills.



## Switch

**Cognitive:** an understanding of cause and effect is developed when pushing something that moves. The theme of light switch supports dramatic play, which is known to stimulate language skills.



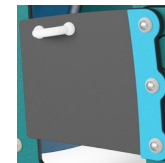
## Play sphere

**Social-Emotional:** can be played from both sides, encouraging cooperation. **Cognitive:** cause and effect understanding. **Creative:** leave a mark and place the spheres at different positions.



## Turning wheel

**Social-Emotional:** develops turn-taking, communication and cooperation. **Cognitive:** the manipulative item stimulates cause and effect understanding, logical thinking and communication. **Creative:** working with moveable play items that can leave a mark supports the child's creativity.



## Flap door

**Physical:** tactile stimulation from leaning the body through rubber doors. **Cognitive:** suggests a theme and supports dramatic play, which stimulates language and communication skills.



## Gear shift

**Social-Emotional:** cooperation, turn-taking, sharing. **Cognitive:** suggests a theme and supports dramatic play, which stimulates language skills.

# Jungle 4x4

NRO563



All Organic Robinia products by KOMPAN are made of Robinia wood from sustainable European sources. On request it can be supplied as FSC® Certified (FSC® C004450).



The paint used for coloured components is water based environmental friendly with excellent UV resistance. The paint is in compliance with EN 71 Part 3.



The Robinia products are designed with a KOMPAN colour concept with a number of different standard colours. The wood can also be supplied as untreated or with brown painted with a pigment that maintains the wood colour.



There are Multiple footing options for all products: Surface anchoring with steel footings and expansion bolts. Wood in-ground or steel in-ground footings.



Panels of 19mm EcoCore™. EcoCore™ is a highly durable, eco friendly material, which is not only recyclable after use, but also consists of material produced from +95% recycled post consumer material from food packing waste.



The Robinia wood can be supplied as untreated raw wood, painted with a brown coloured transparent pigment that maintains the golden wood colour or in a coloured version where selected components are painted in different colours.

Item no. NRO563-1041

### Installation Information

Max. fall height	28 cm
Safety surfacing area	23.9 m <sup>2</sup>
Total installation time	13.5
Excavation volume	0.80 m <sup>3</sup>
Concrete volume	0.10 m <sup>3</sup>
Footing depth (standard)	100 cm
Shipment weight	682 kg
Anchoring options	Surface ✓ In-ground ✓

### Warranty Information

EcoCore HDPE	Lifetime
Hot dip galvanised steel	Lifetime
Membrane	2 years
Robinia wood	15 years
Spare parts guaranteed	10 years



# Sustainability Data

NRO563



Cradle to Gate A1-A3	Total CO <sub>2</sub> emission	CO <sub>2</sub> e/kg	Recycled materials
	kg CO <sub>2</sub> e	kg CO <sub>2</sub> e/kg	%
<b>NRO563-1041</b>	161.61	0.33	9.63

The overall framework applied for these factors is the Environmental Product Declaration (EPD), which quantifies "environmental information on the life cycle of a product and enable comparisons between products fulfilling the same function" (ISO, 2006). This follows the structure and applies a Life-Cycle Assessment approach to the entire Product stage from raw material through manufacturing (A1-A3))

**Kompan A/S**  
 C.F. Tietgens Boulevard 32C  
 DK-5220 Odense SØ  
 Denmark



## Verification of CO<sub>2</sub> calculation of: Nature play



Data version no. 2023-10-05

The CO<sub>2</sub> calculation and data are in compliance with the principles of a carbon footprint impact according to the GHG protocol (Greenhouse Gas Protocol), Scope 3, cradle to gate related to all individual components in the product category: "Nature play" represented by item no.: NRO409-0621.

(Scope 3 emissions include emission sources in the upstream and downstream value chain).

**Date: 30. October 2023 | Valid until: 30. October 2025**

**Verified by:**

Julie Marie Vejsgaard Larsen, LCA & EPD Consultant

Verification based on report: Validation of CO<sub>2</sub> calculation of 9 categories of Kompan product line, version 1.0, prepared by: Bureau Veritas HSE, Denmark: Julie M. V. Larsen.

**Publication date: 30. October 2023**

**By Bureau Veritas HSE**  
 www.bureauveritas.dk  
 +45 7731 1000

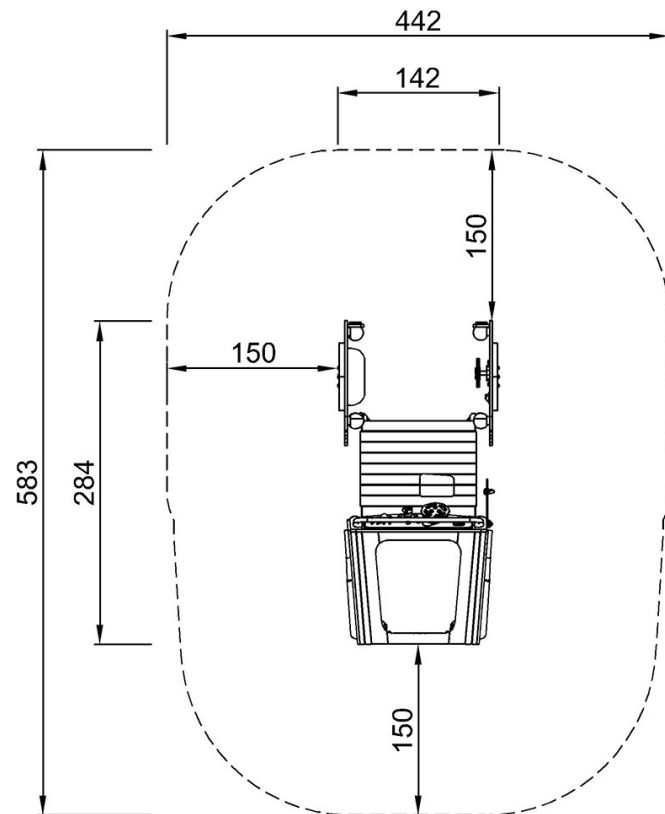


# Jungle 4x4

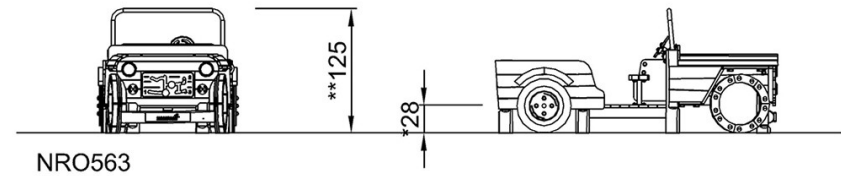
NRO563

\* Max fall height | \*\* Total height | \*\*\* Safety surfacing area

\* Max fall height | \*\* Total height



NRO563  
\*28cm  
\*\*125cm  
\*\*\*23.3m<sup>2</sup>



[Click to see TOP VIEW](#)

[Click to see SIDE VIEW](#)