

# Double Overhead Ladder

FSW213

**KOMPAN**  
Let's play



Item no. FSW21300-0900

## General Product Information

Dimensions LxWxH 443x119x240 cm

Age group 13+

Play capacity (users) 4

Colour options



See KOMPAN Fit app for more



The overhead ladder, also known as the monkey bar, may be the most well known of all obstacle course elements. The goal is to get to the other side without using your feet. Training upper body strength and cross body coordination. This overhead ladder is wide and high to ensure anyone can hang and move freely. To make sure that everyone can reach

the overhead ladder there are 4 stepping pods at different heights. As a stand-alone item the Double Overhead Ladder is great to work in group workout. It offers space for 8 people to perform pull up exercises or to attach suspension trainers for a full body workout.

# Double Overhead Ladder

FSW213



Post are made of Ø101.6 x 2mm, pre-galvanized carbon steel and powder coated, a great protection to all conditions.



The connectors are made of die-cast aluminium, specially alloyed for the outdoor environments and heavy usage. The screws attaching the connectors are stainless steel and protected by zinc washers.



Steps are made of extruded aluminium with a non-skid surface. Aluminium has high corrosion resistance and ensures durability of the product. Steps have been mounted at heights of 34,7cm and 54,7cm this creates an easy access to reach the overhead activity

Item no. FSW21300-0900

### Installation Information

Max. fall height	133 cm
Safety surfacing area	27.5 m <sup>2</sup>
Total installation time	4.9
Excavation volume	0.17 m <sup>3</sup>
Concrete volume	0.09 m <sup>3</sup>
Footing depth (standard)	90 cm
Shipment weight	258 kg
Anchoring options	In-ground ✓ Surface ✓

### Warranty Information

Hot dip galvanised steel	Lifetime
Post	10 years
Spare parts guaranteed	10 years



All KOMPAN fitness products are compliant with the ASTM F3101 & EN16630 Outdoor Fitness Standards. Load tests are performed as a static test by adding dynamic factors as well as safety factors to the specified load of 78kg per user. A product intended for 1 user is loaded with 420kg.



The information sign is made of a PA6 (Polyamide) and shows the most relevant exercise and a QR code. When scanned the QR code will link to an animated illustration of the exercise and offers the possibility of downloading the KOMPAN sport & fitness App, which will provide a large amount of exercises and workouts.

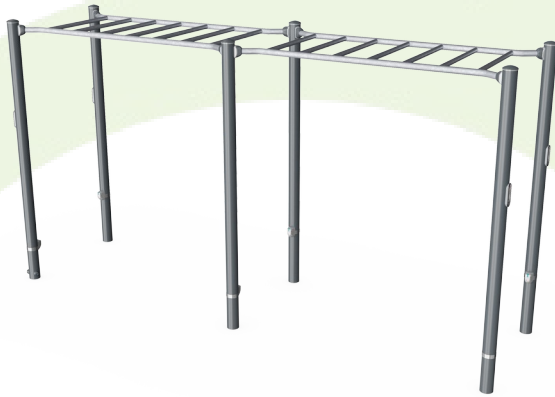


KOMPAN fitness products are standard available in Orange, Anthracite Grey, Medium Grey, Dark Grey, Night Sky Blue, Light Blue, Yellow, Red, Black, Moss Green, Lime Green, Medium Green, Sand and Nut Brown. All other RAL colours are available on request. It will always be possible to match the surroundings or colour theme!



# Sustainability Data

FSW213



Cradle to Gate A1-A3	Total CO <sub>2</sub> emission	CO <sub>2</sub> e/kg	Recycled materials
	kg CO <sub>2</sub> e	kg CO <sub>2</sub> e/kg	%
<b>FSW21300-0900</b>	535.63	3.30	48.89

The overall framework applied for these factors is the Environmental Product Declaration (EPD), which quantifies "environmental information on the life cycle of a product and enable comparisons between products fulfilling the same function" (ISO, 2006). This follows the structure and applies a Life-Cycle Assessment approach to the entire Product stage from raw material through manufacturing (A1-A3))

**Kompan A/S**  
 C.F. Tietgens Boulevard 32C  
 DK-5220 Odense SØ  
 Denmark



## Verification of CO<sub>2</sub> calculation of: Fitness



Data version no. 2023-10-05

The CO<sub>2</sub> calculation and data are in compliance with the principles of a carbon footprint impact according to the GHG protocol (Greenhouse Gas Protocol), Scope 3, cradle to gate related to all individual components in the product category: "Fitness" represented by item no.: FAZ10100-0900.

(Scope 3 emissions include emission sources in the upstream and downstream value chain).

**Date: 30. October 2023 | Valid until: 30. October 2025**

**Verified by:**

Julie Marie Vejsgaard Larsen, LCA & EPD Consultant

Verification based on report: Validation of CO<sub>2</sub> calculation of 9 categories of Kompan product line, version 1.0, prepared by: Bureau Veritas HSE, Denmark: Julie M. V. Larsen.

**Publication date: 30. October 2023**

**By Bureau Veritas HSE**  
 www.bureauveritas.dk  
 +45 7731 1000

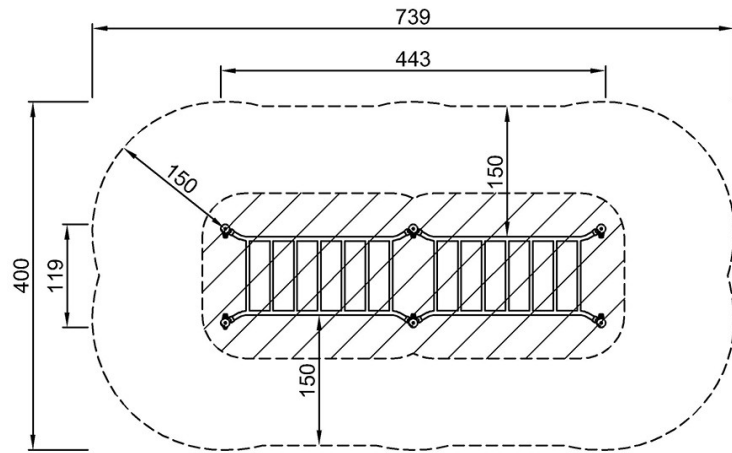


# Double Overhead Ladder

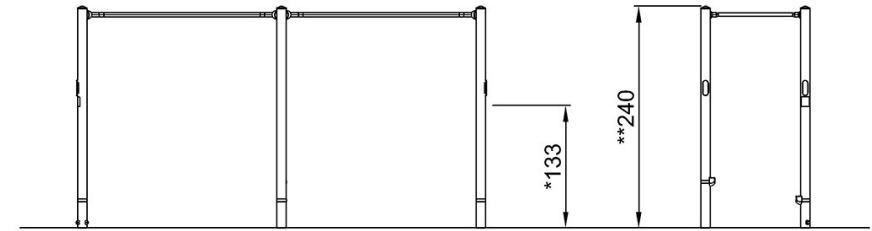
FSW213

\* Max fall height | \*\* Total height | \*\*\* Safety surfacing area

\* Max fall height | \*\* Total height



FSW21300  
\*133cm  
\*\*240cm  
\*\*\*27.5m<sup>2</sup>



FSW21300

[Click to see TOP VIEW](#)

[Click to see SIDE VIEW](#)