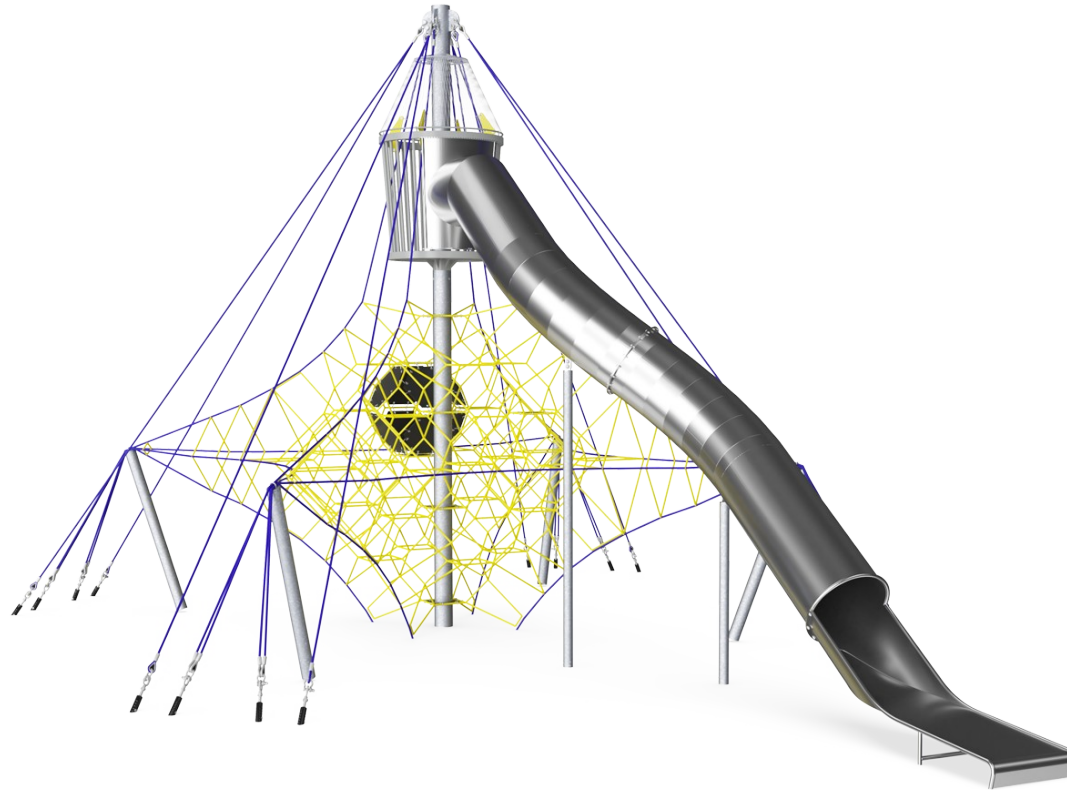
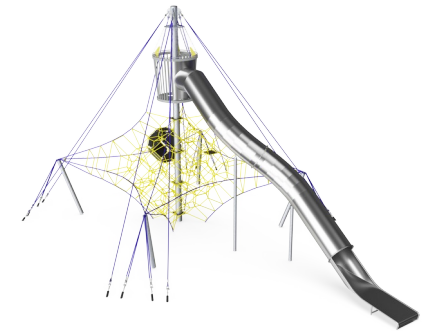
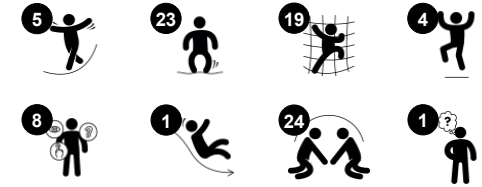


Treasure Island

COR10430



Item no. COR104301-1005	
General Product Information	
Dimensions LxWxH	1351x887x730 cm
Age group	5+
Play capacity (users)	41
Color options	



Children will be excited to challenge themselves through intense climbing and sliding play on the Treasure Island! The carefully designed, bouncy net will challenge children to explore the space by using their muscles for a climb to the top, and the reward of the slide down will encourage them to play more. The repeated climbing, and sliding will

strengthen physical endurance, as well as aerobic and cardio capacity. The bouncy and height trains spatial awareness and proprioception, both crucial for example, in managing traffic securely. The variety of directions to take helps children to develop their strategic thinking skills along with their physical skills, supporting the body-mind

connection. The large net provides opportunities for children to socialize through play. It is all play and beneficial for life skills on Treasure Island.

Treasure Island

COR10430



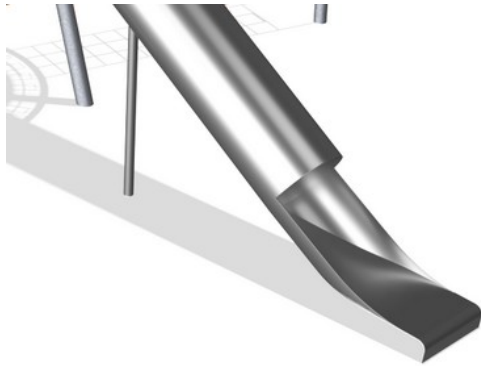
Ropes of UV-stabilized PES rope strands with inner steel cable reinforcement. The polyester yarn is made from +95% post-consumer materials and is inductively melted onto each strand. The ropes are highly wear-and vandalism-resistant and can be replaced at site if needed.



Corocord 'S' clamps are used as universal connections in Corocord products. 8mm stainless steel rods with rounded edges are pressed around the ropes with a special hydraulic press, making them the ideal connector: safe, durable and vandalism-proof, all while allowing the typical movement of rope play structures.



Corocord membranes consist of friction-proof rubberized material of conveyor belt quality with excellent UV resistance. Tested and compliant with REACH requirements for PAH. Embedded is a four-layered armouring made of woven polyester. The armouring and the two surface layers result in a total thickness of 7.5 mm.



The stainless steel components are made of high quality stainless steel in compliance with global playground standards. The steel is glass blasted after manufacturing to ensure a smooth gliding surface.



The steel structure are hot dip galvanised inside and outside with lead free zinc. The galvanisation has excellent corrosion resistance in outside environments and requires low maintenance.

Item no. COR104301-1005

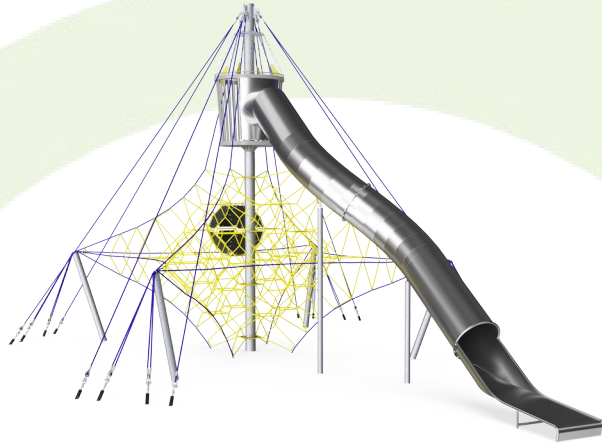
Installation Information

Max. fall height	225 cm
Safety surfacing area	120.8 m ²
Total installation time	85.8
Excavation volume	17.28 m ³
Concrete volume	10.37 m ³
Footing depth (standard)	100 cm
Shipment weight	2,795 kg
Anchoring options	In-ground ✓



Sustainability Data

COR10430



Cradle to Gate A1-A3	Total CO ₂ emission	CO ₂ e/kg	Recycled materials
	kg CO ₂ e	kg CO ₂ e/kg	%
COR104301-1005	8,085.30	3.28	46.10

The overall framework applied for these factors is the Environmental Product Declaration (EPD), which quantifies "environmental information on the life cycle of a product and enable comparisons between products fulfilling the same function" (ISO, 2006). This follows the structure and applies a Life-Cycle Assessment approach to the entire Product stage from raw material through manufacturing (A1-A3))

Kompan A/S
 C.F. Tietgens Boulevard 32C
 DK-5220 Odense SØ
 Denmark



Verification of CO₂ calculation of: Corocord



Data version no. 2023-10-05

The CO₂ calculation and data are in compliance with the principles of a carbon footprint impact according to the GHG protocol (Greenhouse Gas Protocol), Scope 3, cradle to gate related to all individual components in the product category: "Corocord" represented by item no.: COR314011-1101.

(Scope 3 emissions include emission sources in the upstream and downstream value chain).

Date: 30. October 2023 | Valid until: 30. October 2025

Verified by:

Julie Marie Vejsgaard Larsen, LCA & EPD Consultant

Verification based on report: Validation of CO₂ calculation of 9 categories of Kompan product line, version 1.0, prepared by: Bureau Veritas HSE, Denmark: Julie M. V. Larsen.

Publication date: 30. October 2023

By Bureau Veritas HSE
 www.bureauveritas.dk
 +45 7731 1000

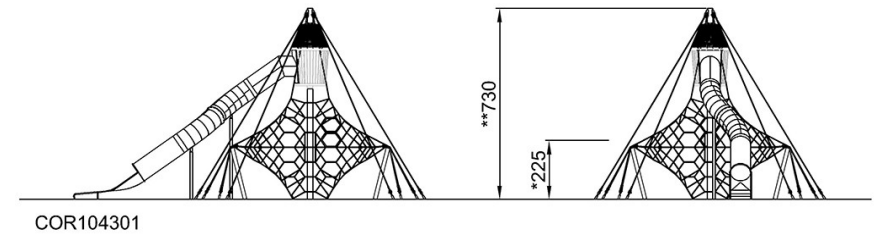
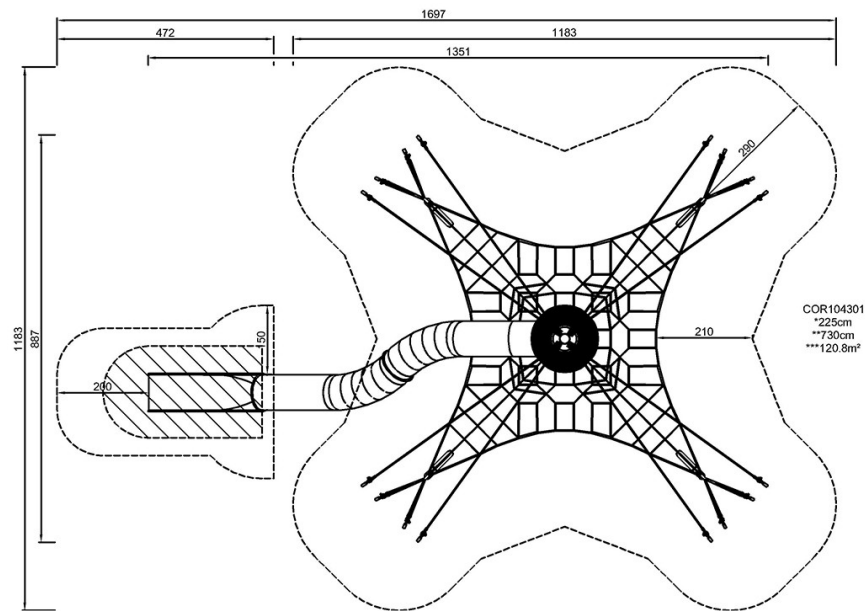


Treasure Island

COR10430

* Max fall height | ** Total height | *** Safety surfacing area

* Max fall height | ** Total height



[Click to see TOP VIEW](#)

[Click to see SIDE VIEW](#)