

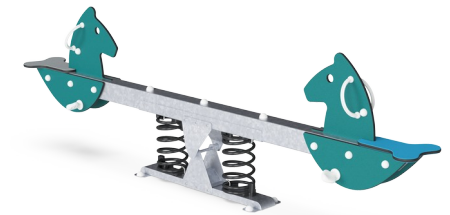
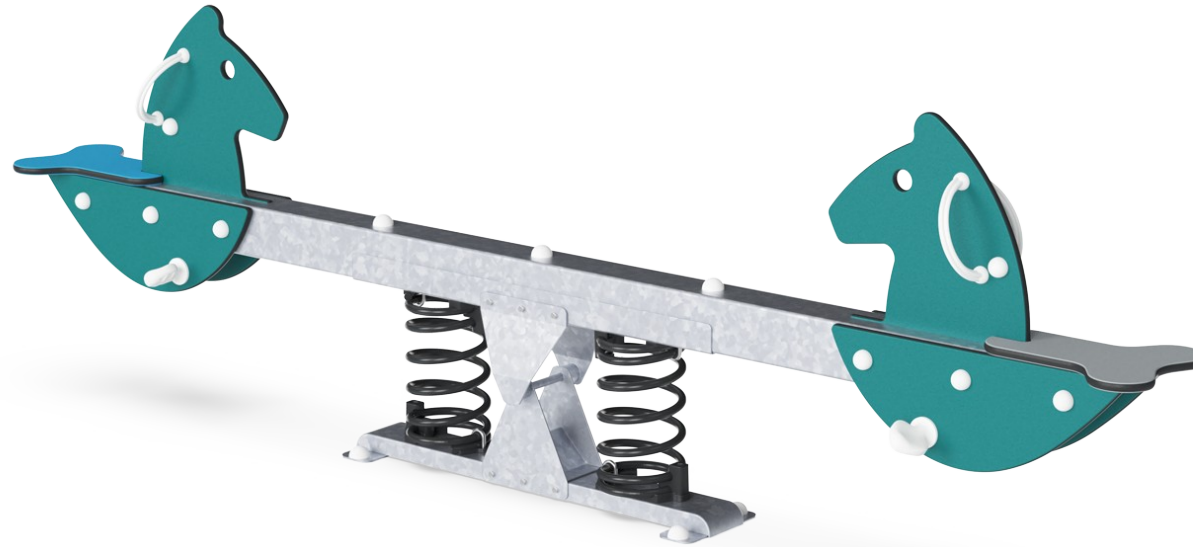
Horse Seesaw

M182

Item no. M18213-01P

General Product Information

| | |
|-----------------------|---|
| Dimensions LxWxH | 35x310x95 cm |
| Age group | 3+ |
| Play capacity (users) | 2 |
| Colour options |  |



The Horse seesaw with its friendly-looking horses and vibrant colours invite children to try out the rocking experience. Due to the supportive ergonomics, children will play intensely for a long time and come back time and time again. The springs make it possible for users of different ages and sizes to rock together. Adults can participate, too. The

rounded seats and foot and hand holds allow children to give it a good go, even if they are nervous at first. The handgrips support a firm hold for a range of hand sizes. Rocking on the Hopper is a different seesaw experience, as the springs allow for users of different numbers, weights, and abilities to play and cooperate. The seesaw is great for cooperative play: the

child needs to consider the rhythm of the other players' movements. This is good training for cooperation and consideration and allows children with conditions such as autism to get a chance for social play in a secure framework.

Horse Seesaw

M182



Theme

Cognitive: suggests a theme and supports dramatic play, which stimulates language and communication skills.



Rocking together

Social-Emotional: the possibility of rocking two together trains cooperation skills and consideration of others.



Foot support

Physical: the footrest supports intensive rocking, simulating the senses of balance and space and supports coordination and muscle strength.



Rocking spring

Physical: response to movements adds to spatial awareness and sense of balance which are fundamental motor skills.
Cognitive: trains the understanding of cause and effect: when I move my body, the spring responds with movement.



Handhold

Physical: opens more hold positions and ensures good grip, necessary for rocking intensely which trains hand and arm muscles.

Horse Seesaw

M182



Panels of 19mm EcoCore™. EcoCore™ is a highly durable, eco-friendly material, which is not only recyclable after use but also consists of a core produced from 100% recycled material.



KOMPAN's springs are manufactured from high-quality spring steel. The springs are cleaned by phosphating before being painted with epoxy primer and polyester powder coating. The springs are fixed by unique anti-pinch fittings for maximum safety and longevity.



The springs are fixed by unique anti-pinch fittings for maximum safety and longevity.

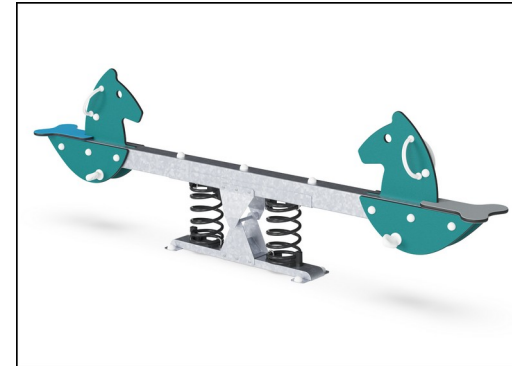
| Item no. M18213-01P | |
|--------------------------|--------------------------|
| Installation Information | |
| Max. fall height | 100 cm |
| Safety surfacing area | 10.6 m ² |
| Total installation time | 4.3 |
| Excavation volume | 0.43 m ³ |
| Concrete volume | 0.00 m ³ |
| Footing depth (standard) | 42 cm |
| Shipment weight | 160 kg |
| Anchoring options | In-ground ✓ Surface ✓ |
| Warranty Information | |
| EcoCore HDPE | Lifetime |
| Galvanised Steel | Lifetime |
| Spare Parts Guarantee | 10 years |
| Springs | 5 years |



Handholds and footrests are manufactured from injection moulded high-quality nylon (PA6) which is a durable material.



The steel support posts are hot-dip galvanised inside and outside with lead free zinc. The galvanisation has excellent corrosion resistance in outside environments and requires low maintenance.

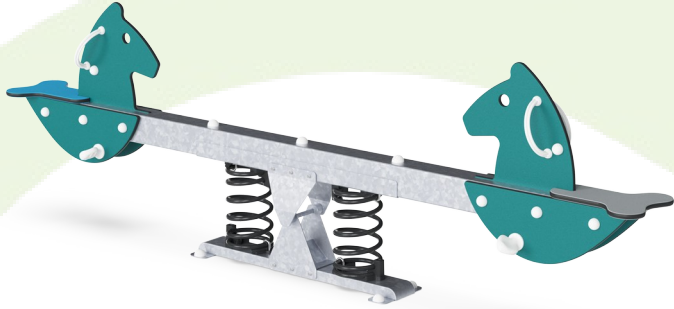


KOMPAN GreenLine versions are designed with ultimate environmentally friendly materials with the lowest possible CO₂e emission factor such as EcoCore™ panels of 100% post consumer recycled ocean waste.



Sustainability Data

M182



| Cradle to Gate A1-A3 | Total CO ₂ emission | CO ₂ e/kg | Recycled materials |
|----------------------|--------------------------------|-------------------------|--------------------|
| | kg CO ₂ e | kg CO ₂ e/kg | % |
| M18213-01P | 255.06 | 2.41 | 50.62 |

The overall framework applied for these factors is the Environmental Product Declaration (EPD), which quantifies "environmental information on the life cycle of a product and enable comparisons between products fulfilling the same function" (ISO, 2006). This follows the structure and applies a Life-Cycle Assessment approach to the entire Product stage from raw material through manufacturing (A1-A3))

Kompan A/S
 C.F. Tietgens Boulevard 32C
 DK-5220 Odense SØ
 Denmark



Verification of CO₂ calculation of: Freestanding play equipment



Data version no. 2023-10-05

The CO₂ calculation and data are in compliance with the principles of a carbon footprint impact according to the GHG protocol (Greenhouse Gas Protocol), Scope 3, cradle to gate related to all individual components in the product category: "Freestanding play equipment" represented by item no.: GXY916012-3417.

(Scope 3 emissions include emission sources in the upstream and downstream value chain).

Date: 30. October 2023 | Valid until: 30. October 2025

Verified by:

Julie Marie Vejsgaard Larsen, LCA & EPD Consultant

Verification based on report: Validation of CO₂ calculation of 9 categories of Kompan product line, version 1.0, prepared by: Bureau Veritas HSE, Denmark: Julie M. V. Larsen.

Publication date: 30. October 2023

By Bureau Veritas HSE
 www.bureauveritas.dk
 +45 7731 1000

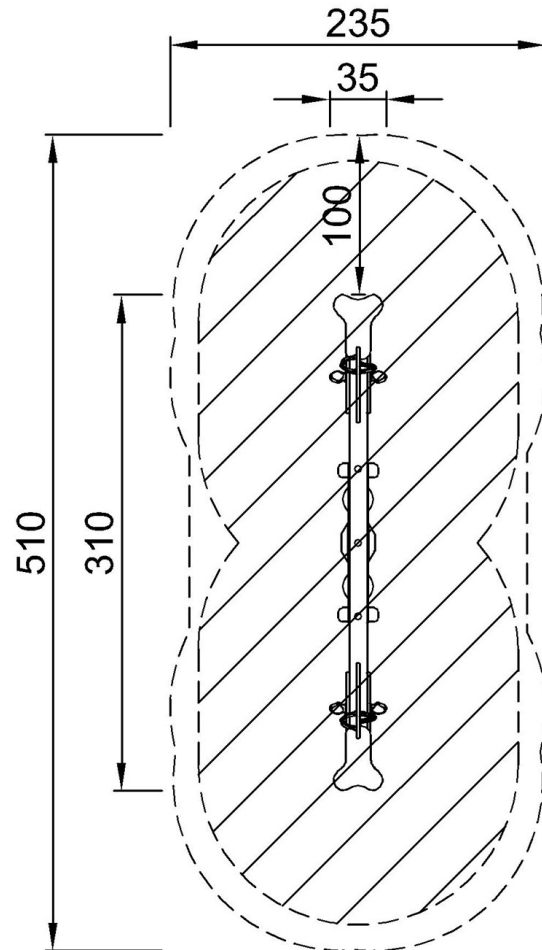


Horse Seesaw

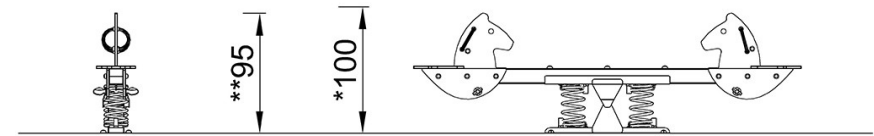
M182

* Max fall height | ** Total height | *** Safety surfacing area

* Max fall height | ** Total height



M18213
*100cm
**95cm
***10.6m²



M18213

[Click to see TOP VIEW](#)

[Click to see SIDE VIEW](#)